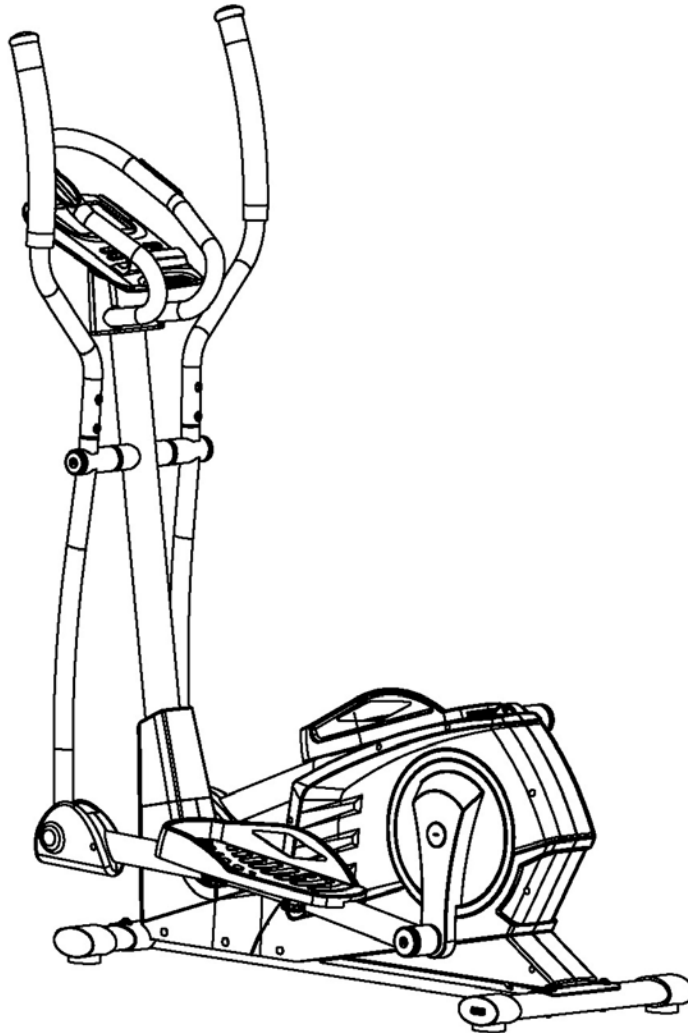


MARCY[®]

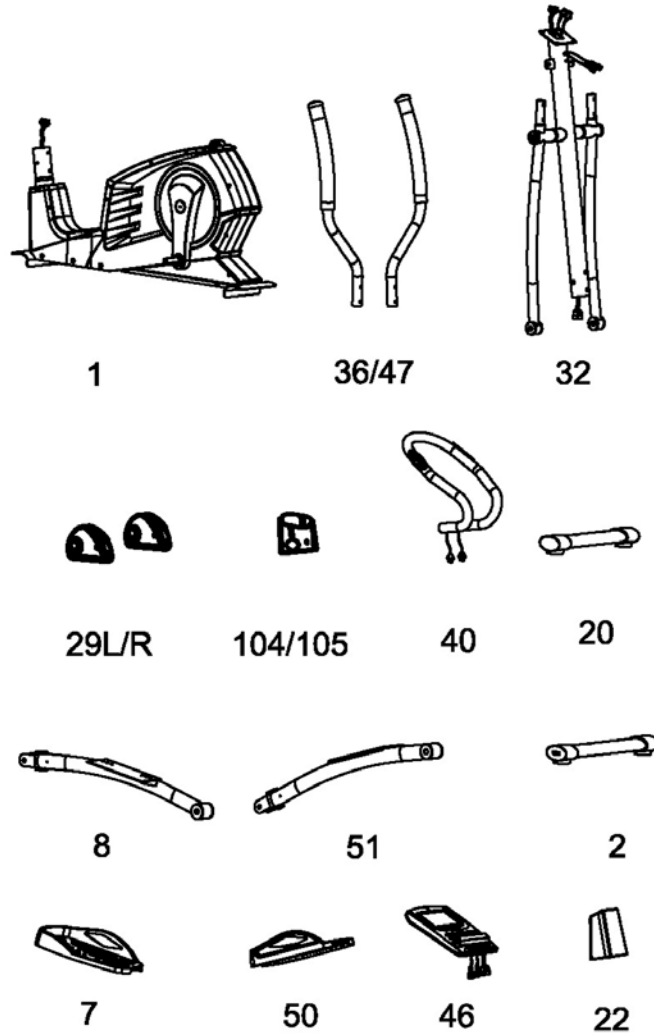
REGENERATING MAGNETIC ELLIPTICAL ME-704



IMPORTANT: Please read the Important Safety Notice and Assembly Information in the Owner's manual before assembling this product.

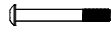
Assembly Manual

170706

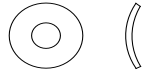


Part No.	Description	Q'ty
1	Main Frame	1
2	Rear stabilizer	1
7	Left pedal	1
8	Left pedal tube	1
20	Front stabilizer	1
22	Cover for Front post	1
32	Front post	1
29L/R	Cover for pedal tube L/R	1/1
36/47	L/R Handlebar	1/1
40	Stationary Grip	1
46	Console	1
50	Right pedal	1
51	Right pedal tube	1
104/105	Front/Rear stationary handlebar cover	1/1

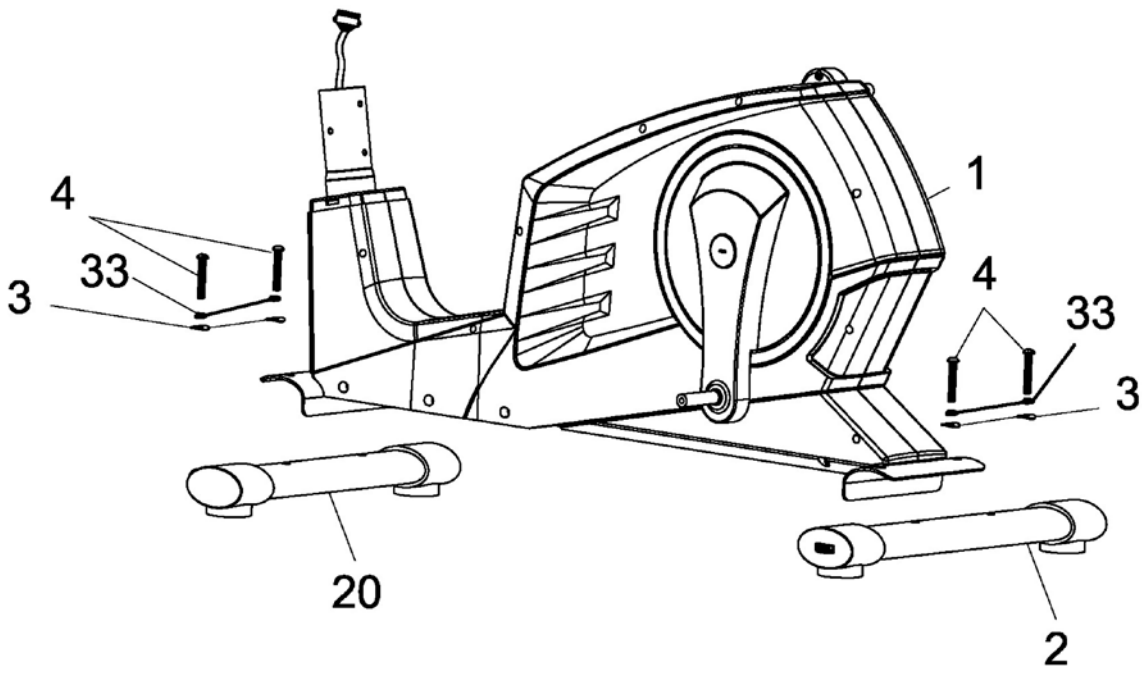
#4 x 4



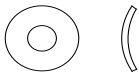
#3 x 4



#33 x 4



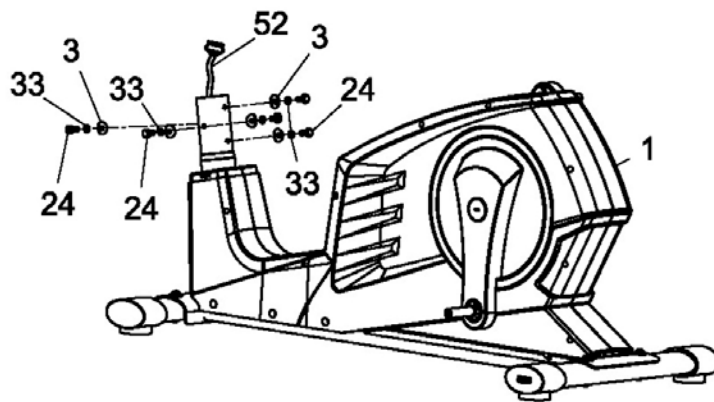
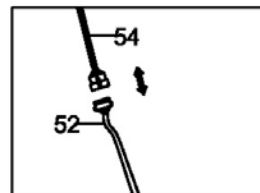
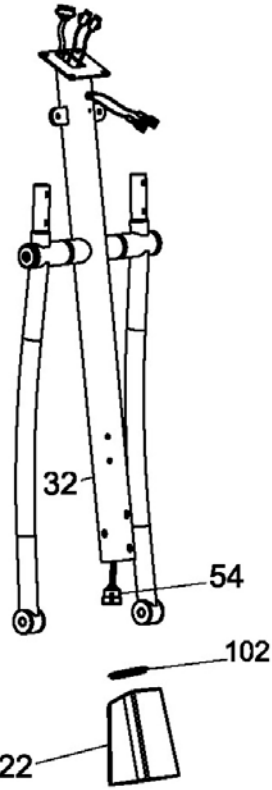
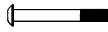
#3 x 5



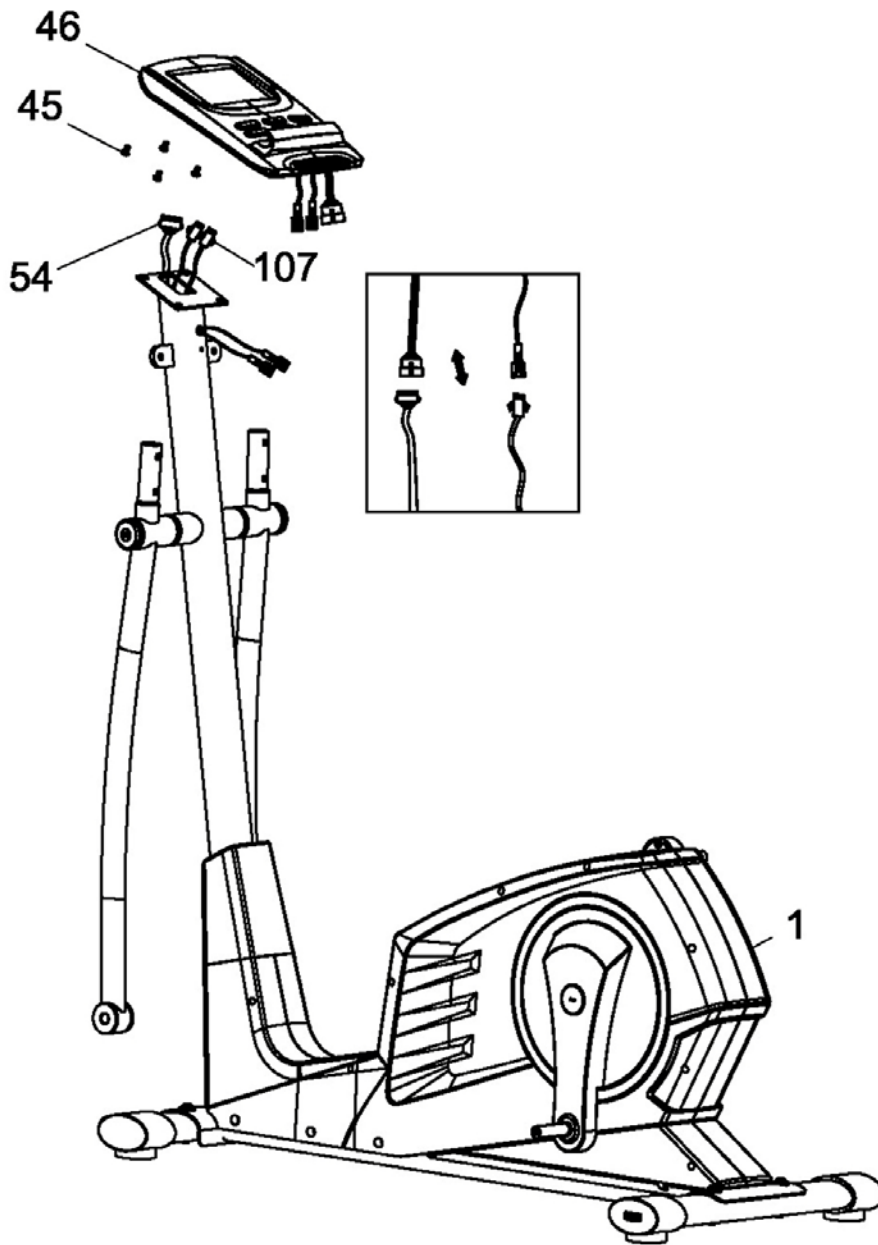
#33 x 5



#24 x 5



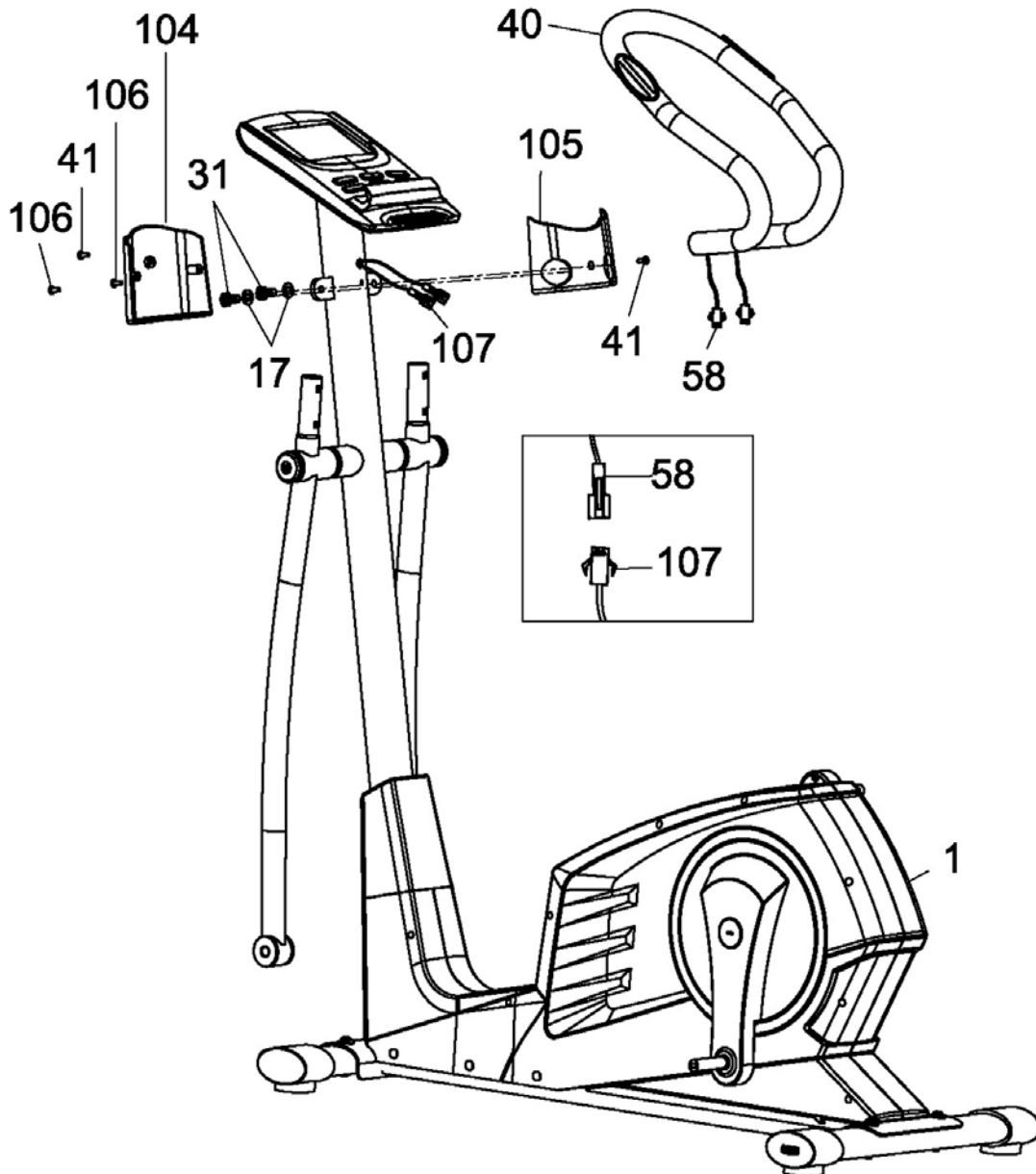
#45 x 4 Screws for Console (Pre-assembled)




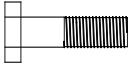


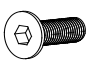
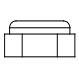



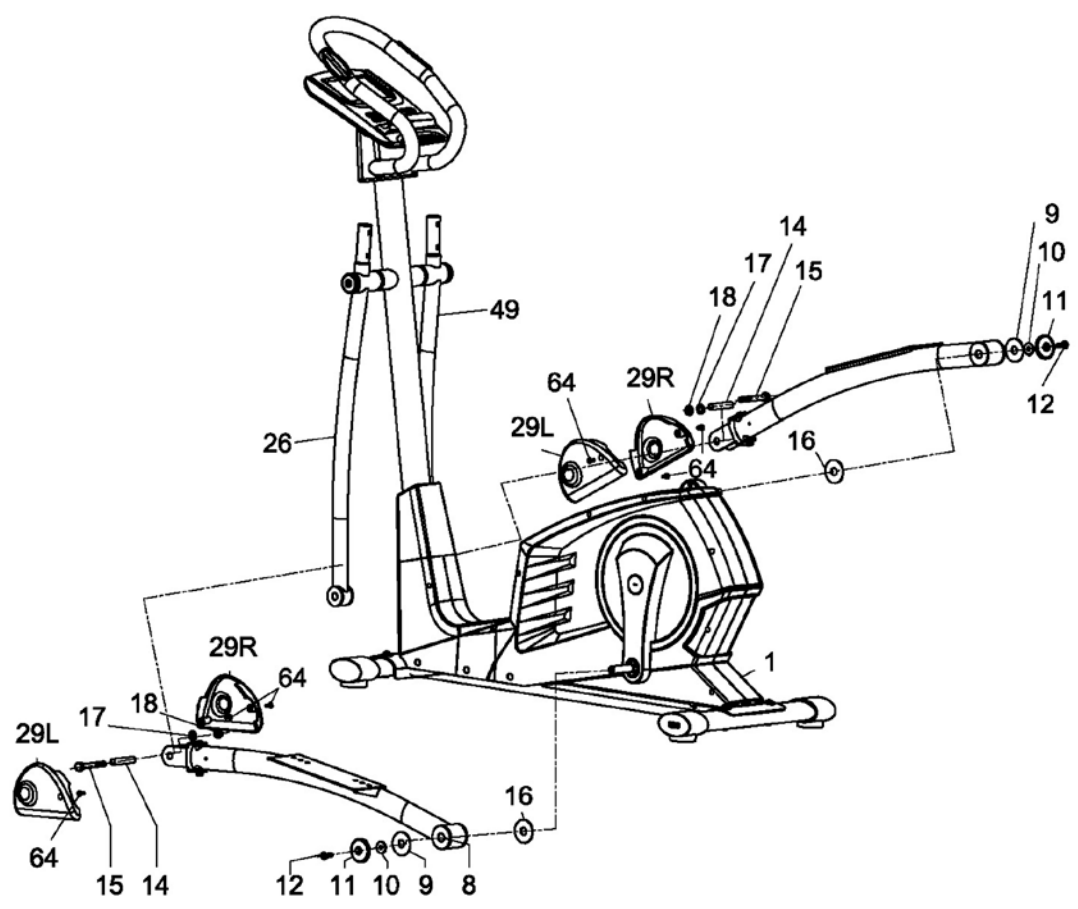
- #17 x 2
- #31 x 2
- #41 x 2
- #106 x 2



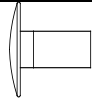
Hex Screws (Pre-assembled on Front Post)
 Phillips Screw (Pre-assembled on Front Post)
 Self-tapping Screws



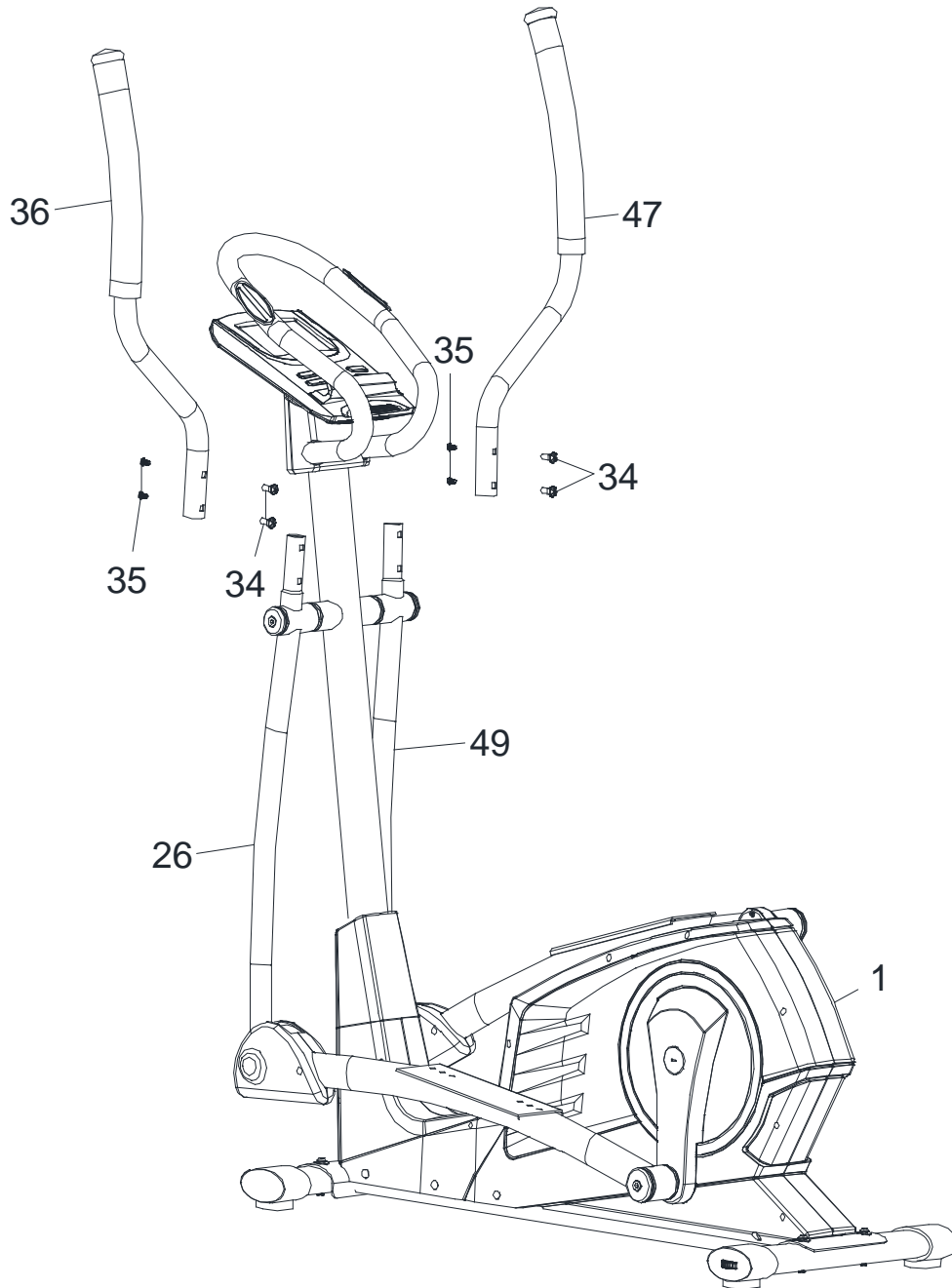
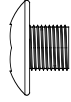
- | | | | | |
|---------|---|---------|---|-----------------------------|
| #9 x 2 |  | #16 x 2 |  | #64 x 6 Self-tapping Screws |
| #10 x 2 |  | #15 x 2 |  | |
| #11 x 2 |  | #17 x 2 |  | |
| #12 x 2 |  | #18 x 2 |   | |



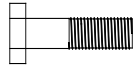
#34 x 4



#35 x 4



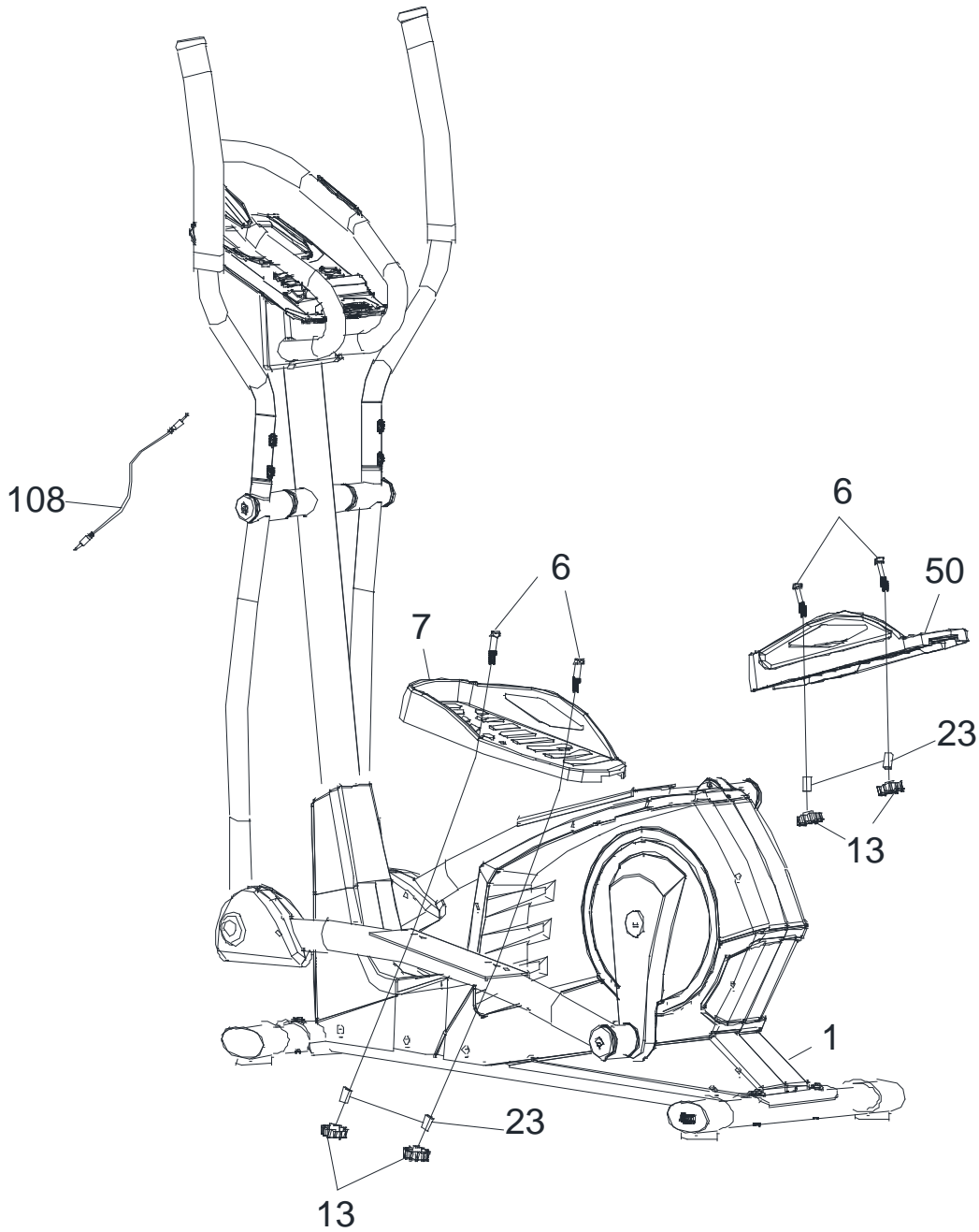
#6 x 4



#23 x 4



#13 x 4



IMPEX® INC.

2801 S. Towne Ave, Pomona, CA 91766

Tel: (800) 999-8899 Fax: (626) 961-9966

www.marcypro.com

support@impex-fitness.com