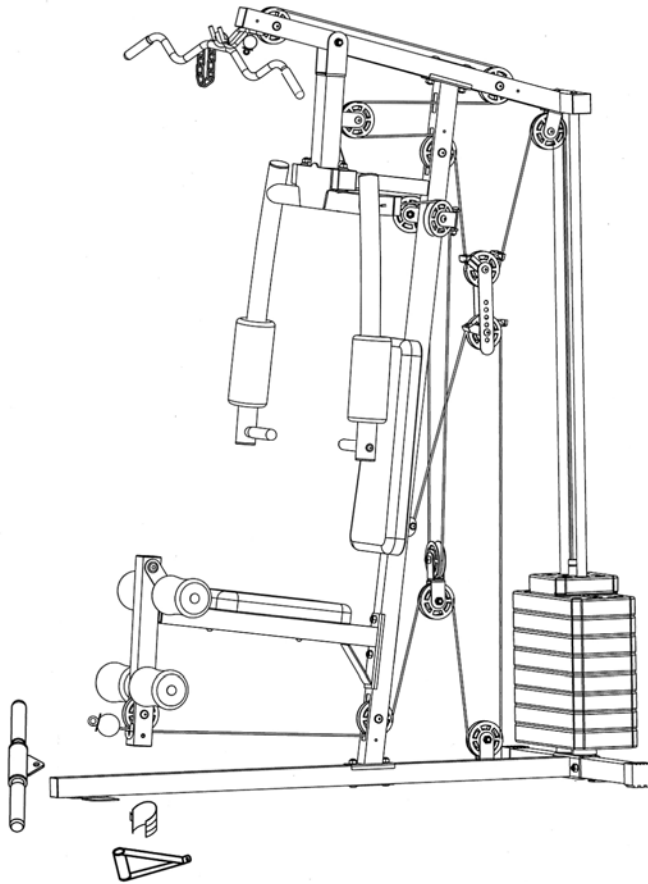


# MP EX

F I T N E S S P R O D U C T S

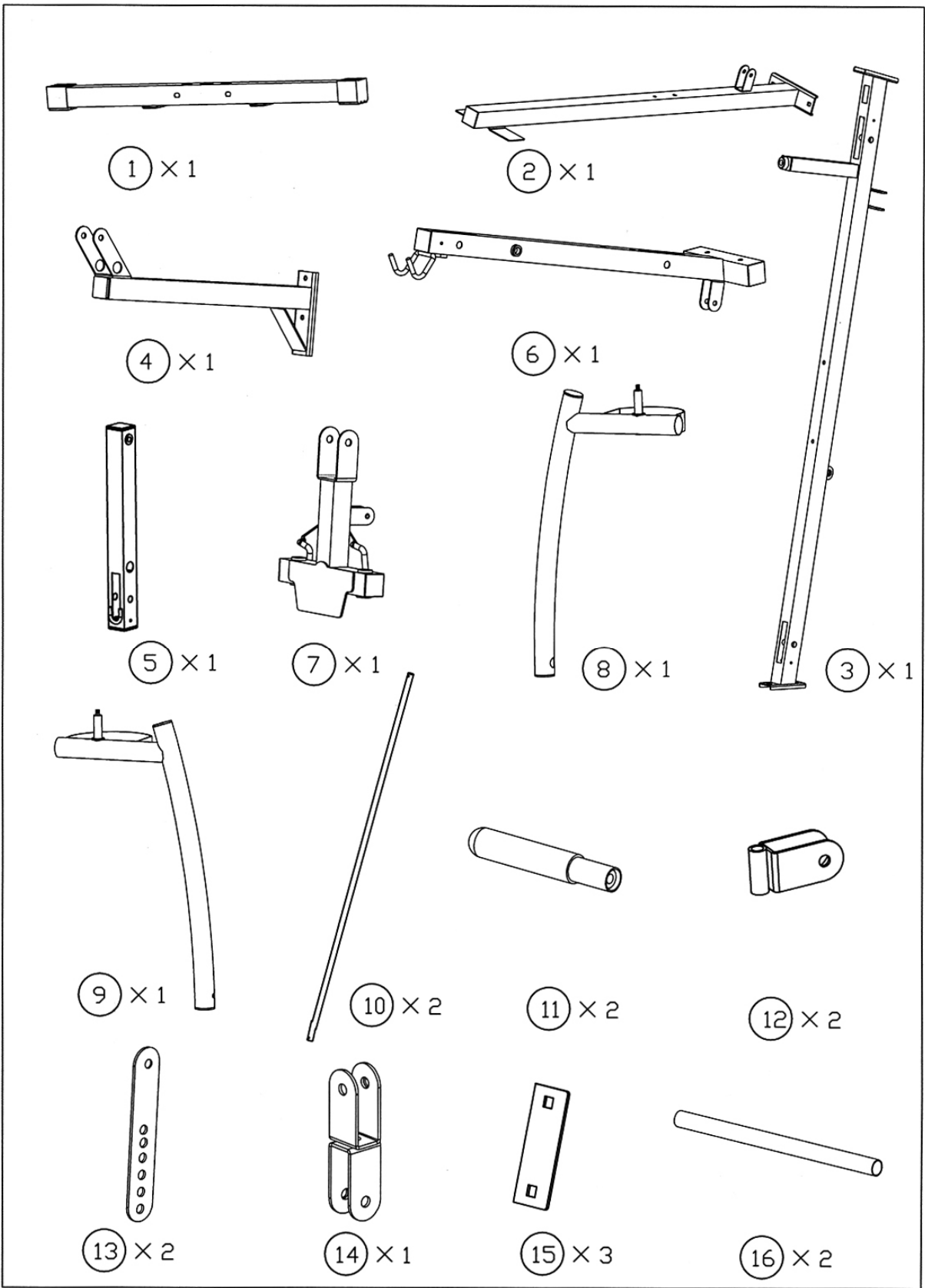
## MARCY CLUB HOME GYM MKM-1101

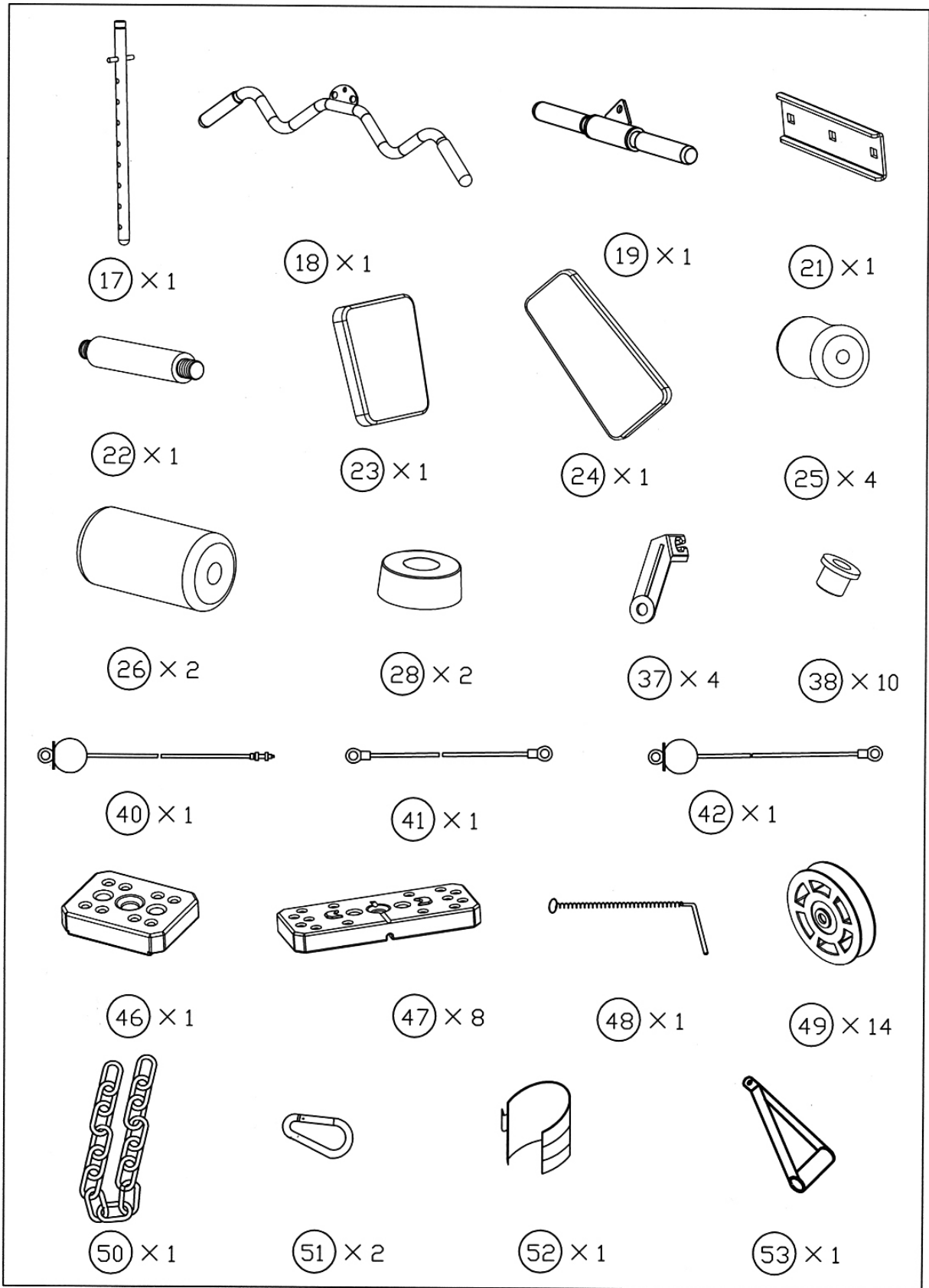


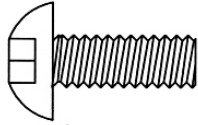
**IMPORTANT:** Please read the Important Safety Notice and Assembly Information in the Owner's manual before assembling this product.

### Assembly Manual

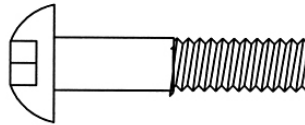
120601



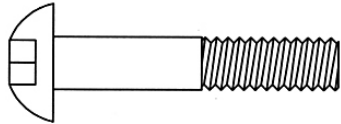




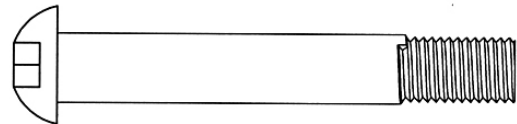
56 x 7



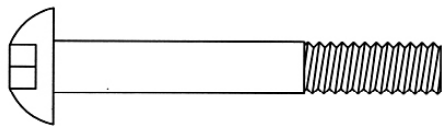
57 x 7



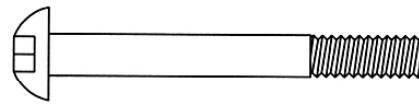
58 x 2



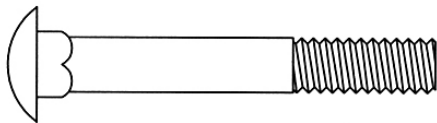
59 x 1



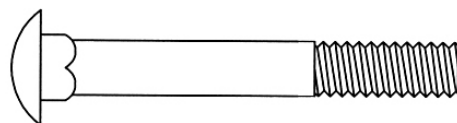
60 x 7



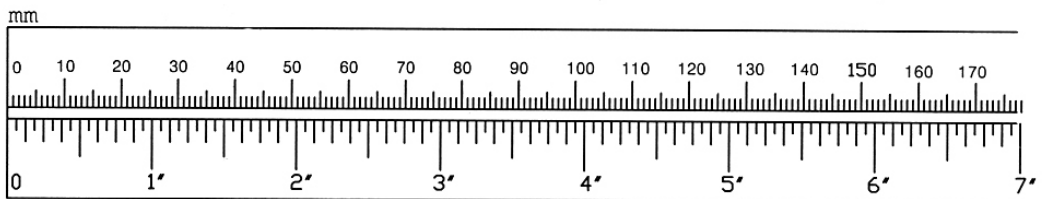
61 x 4



62 x 6



63 x 2

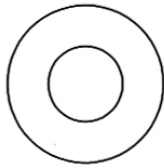




64 × 4



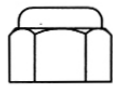
65 × 37



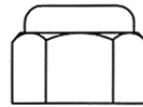
66 × 2



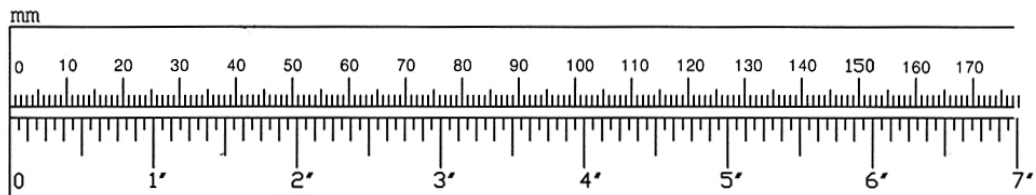
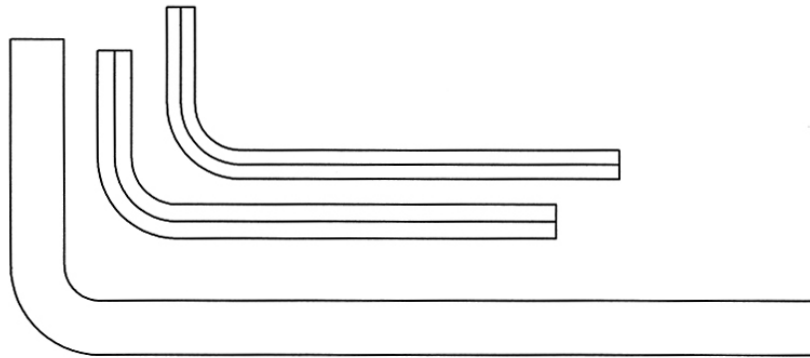
67 × 4



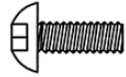
68 × 29



69 × 1



(56) × 2

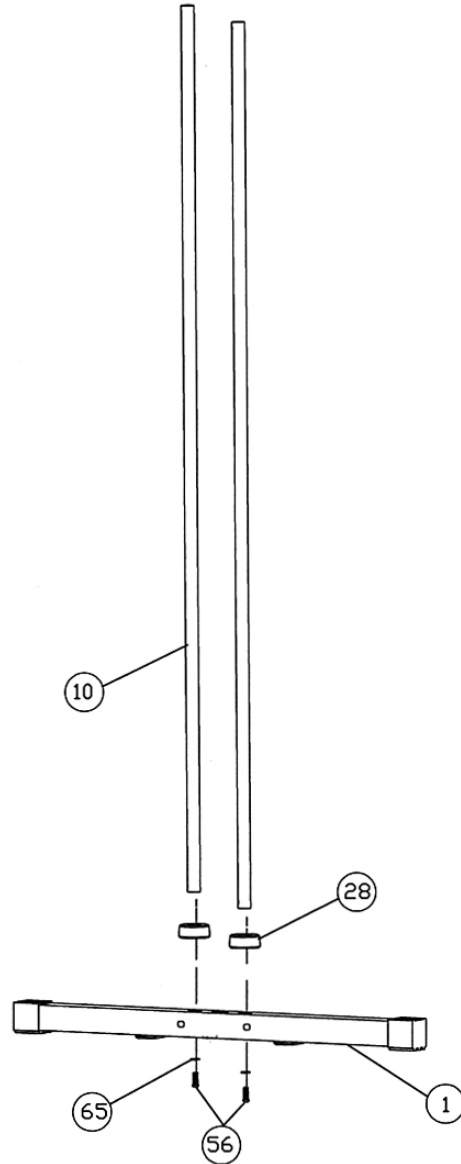
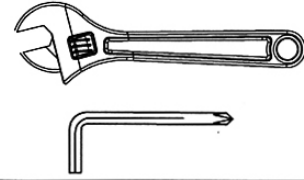


M10×1"

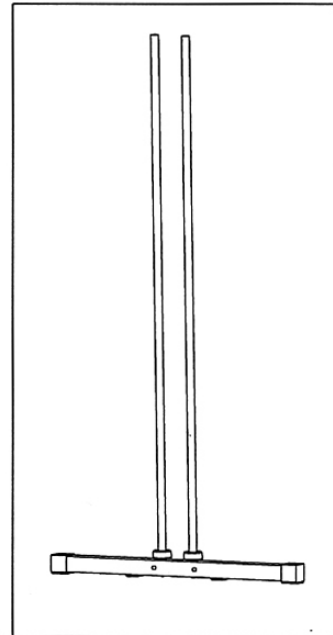
(65) × 2

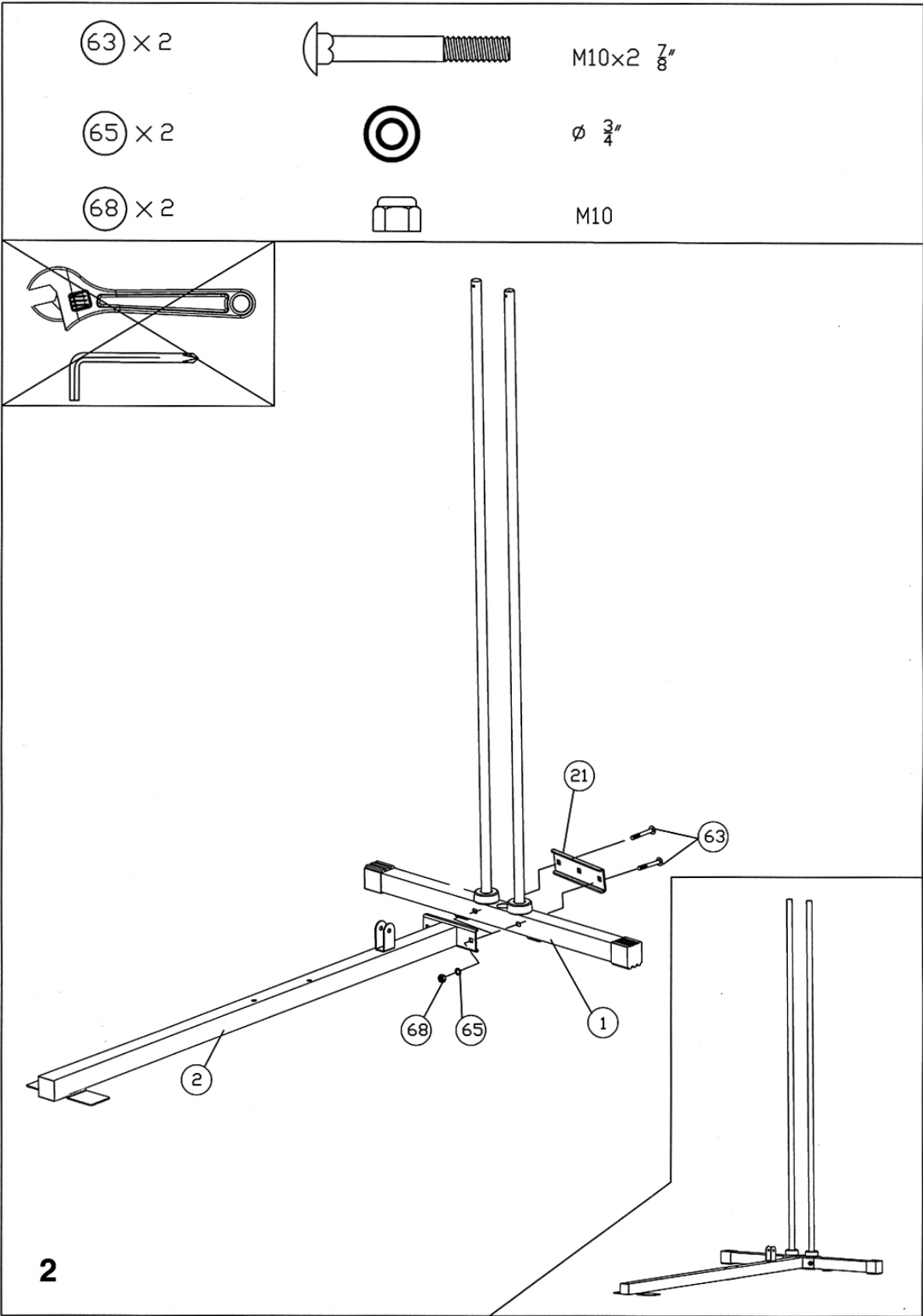


Ø 3/4"

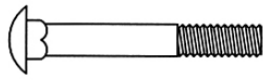


1





62 × 2



M10×2 3/4"

65 × 2

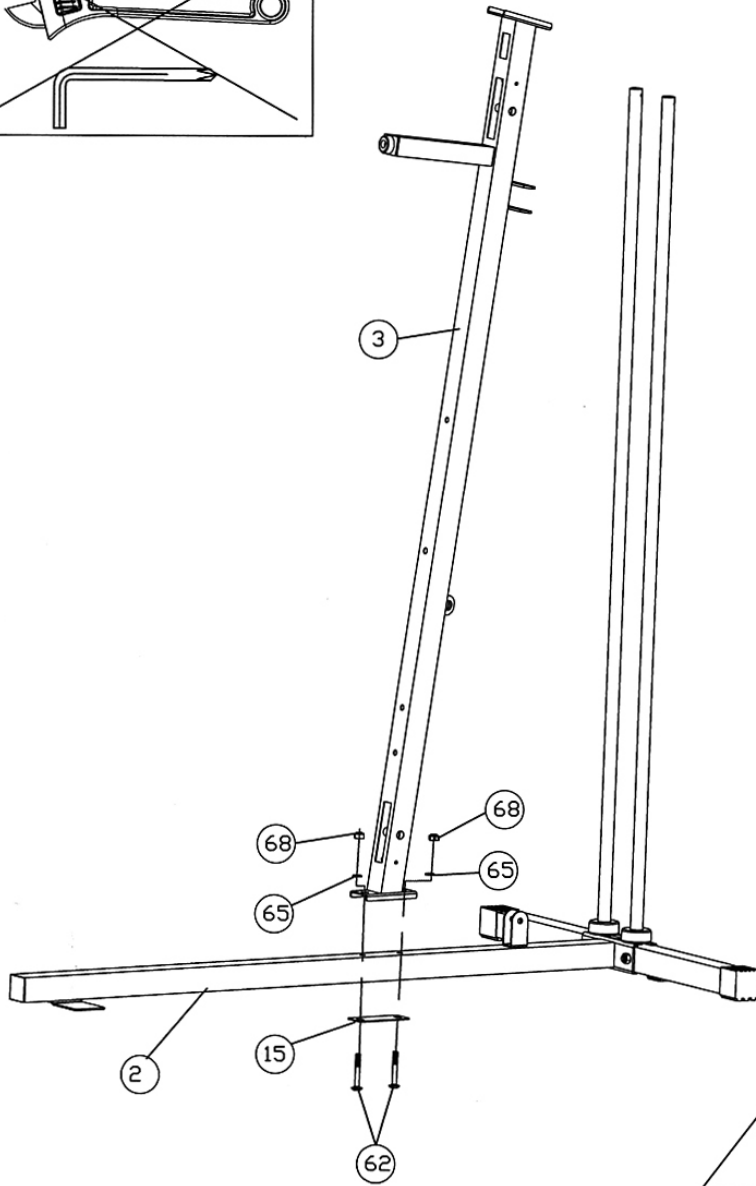
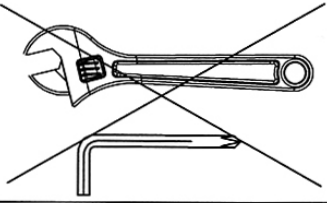


∅ 3/4"

68 × 2

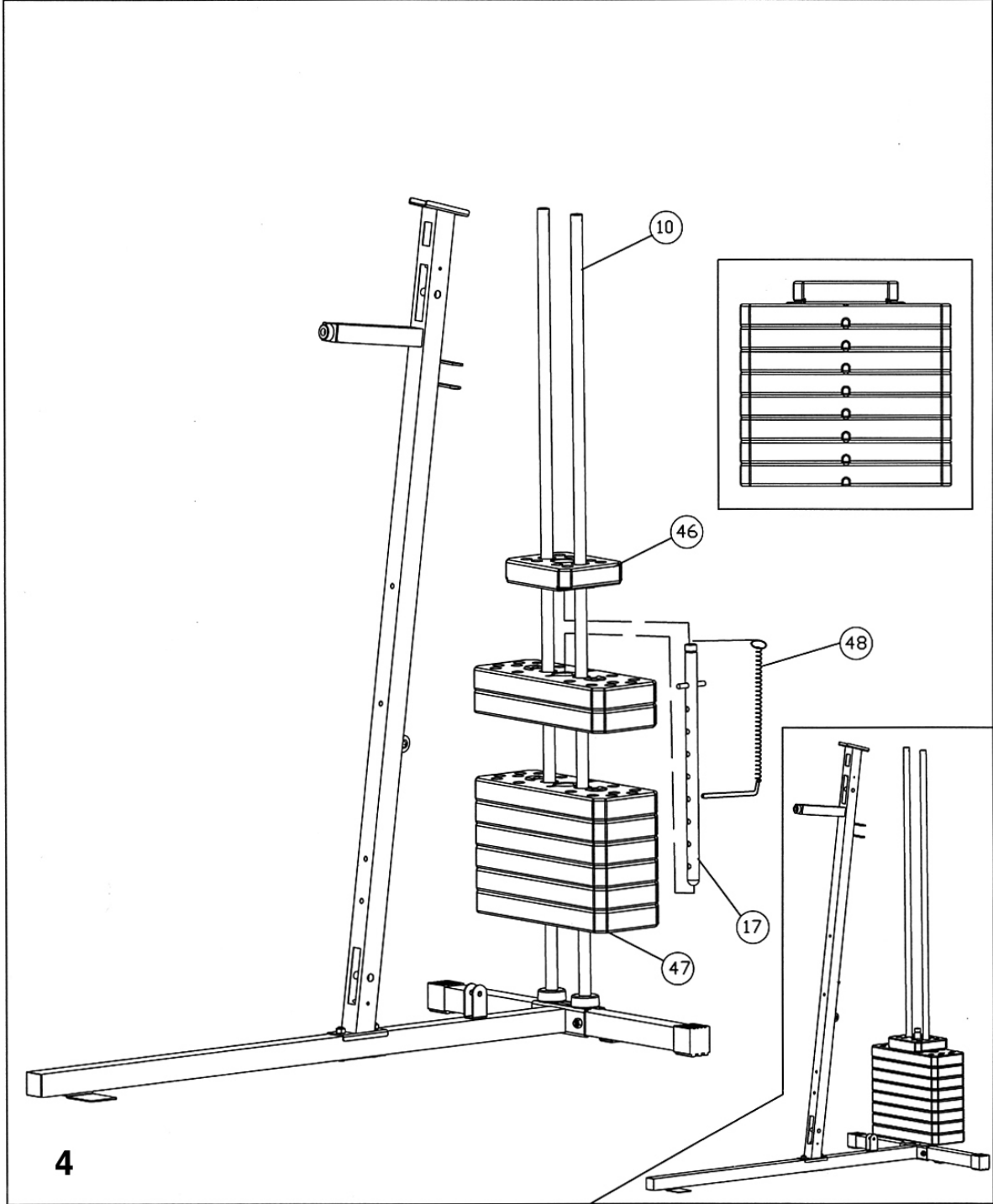
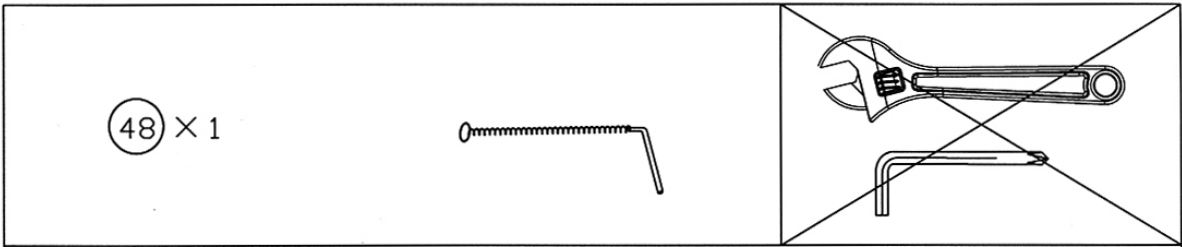


M10

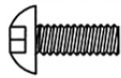


**3**



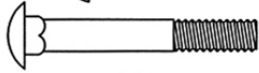


56 × 2



M10×1"

62 × 2



M10×2 3/4"

65 × 4

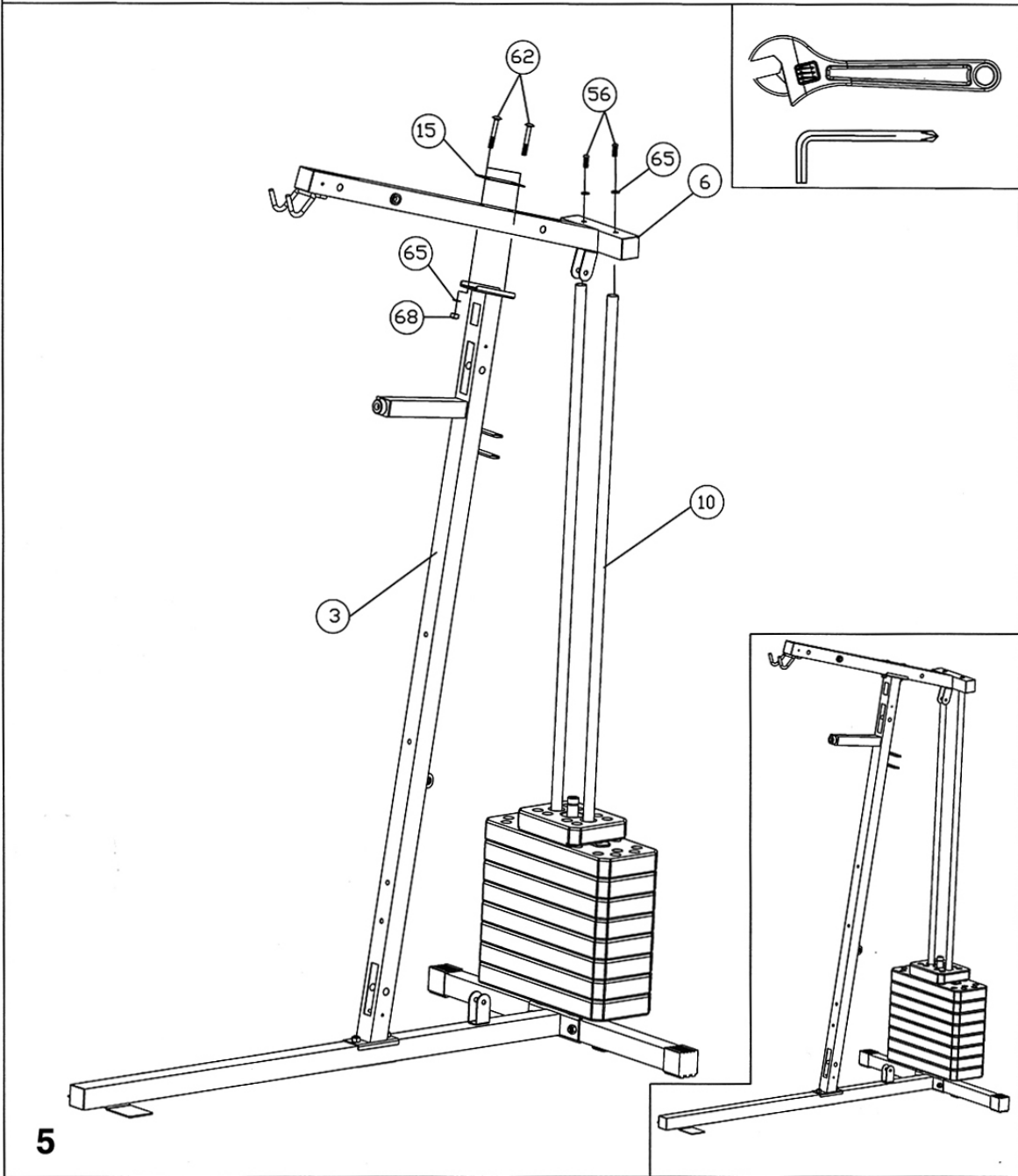


∅ 3/4"

68 × 2



M10



(67) x 2



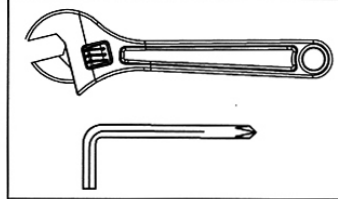
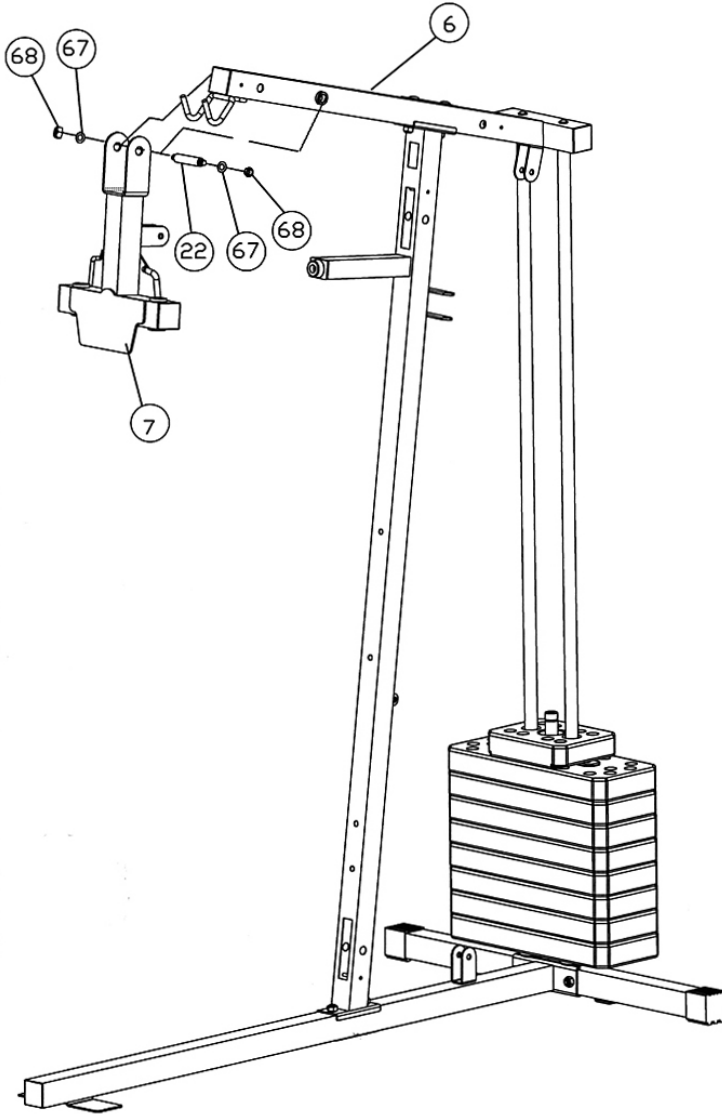
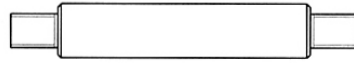
∅ 1" x ∅ 3/8"

(68) x 2

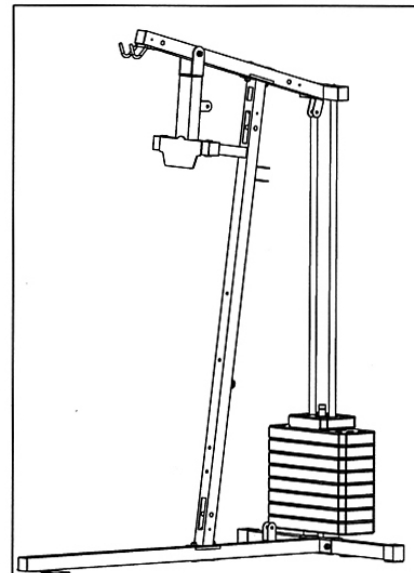


M10

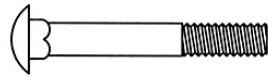
(22) x 2



**6**



62 x 2



M10x2 3/4"

65 x 2

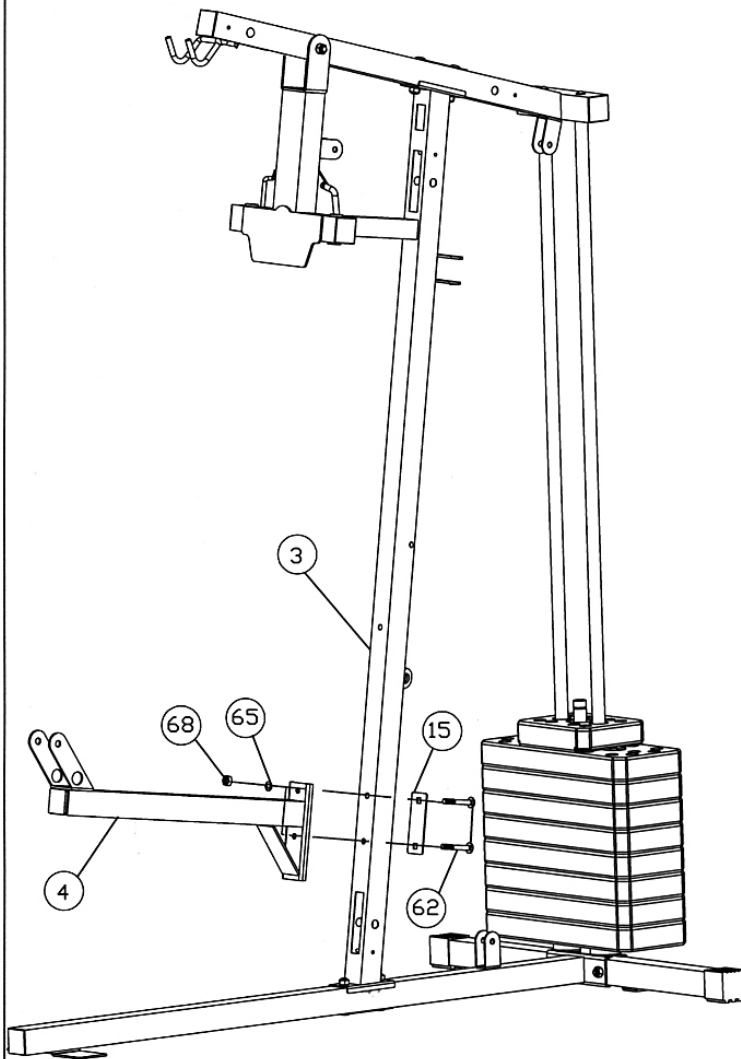
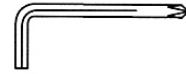
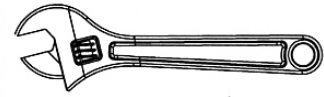


∅ 3/4"

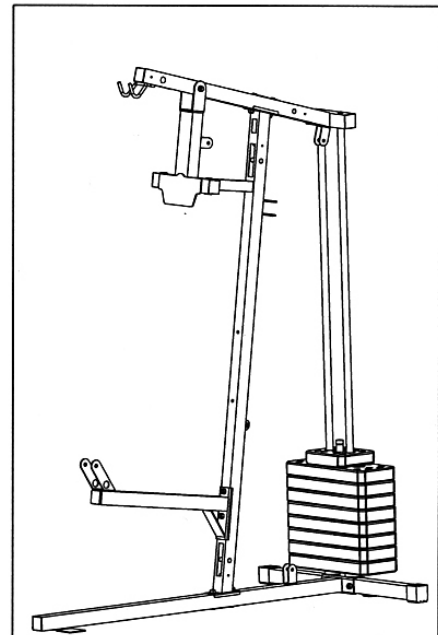
68 x 2



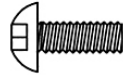
M10



7



(56) × 2



M10×1"

(65) × 2



∅ 3/4"

(67) × 2

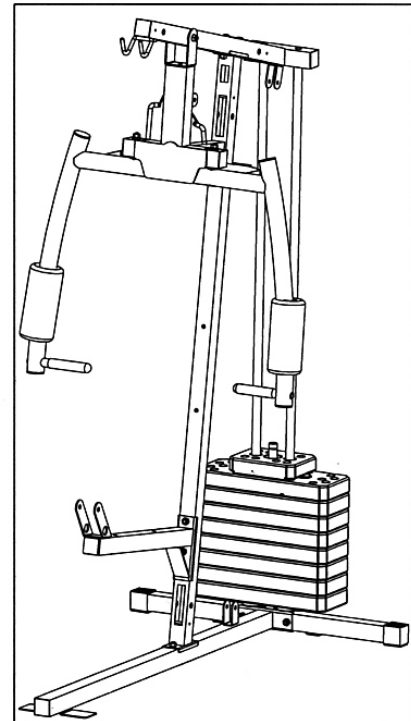
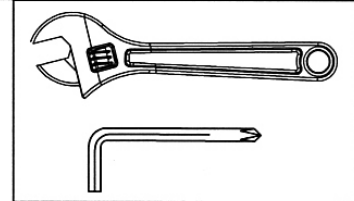
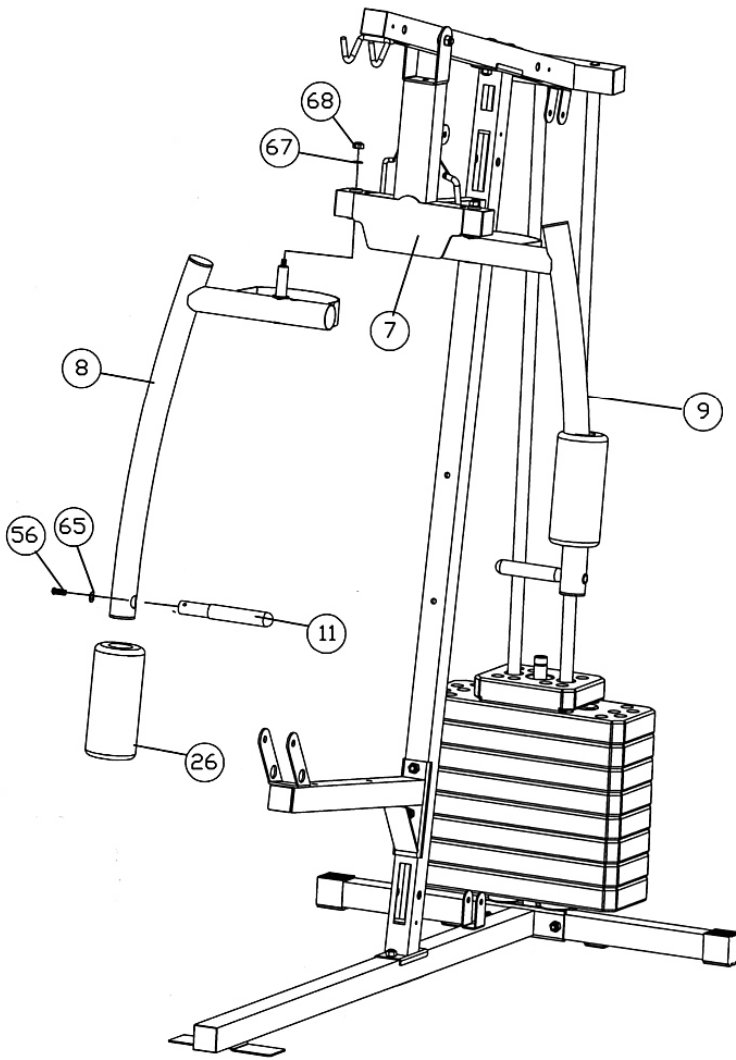


∅ 1" × ∅ 3/8"

(68) × 2



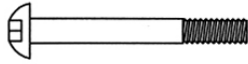
M10



8



(61) × 2

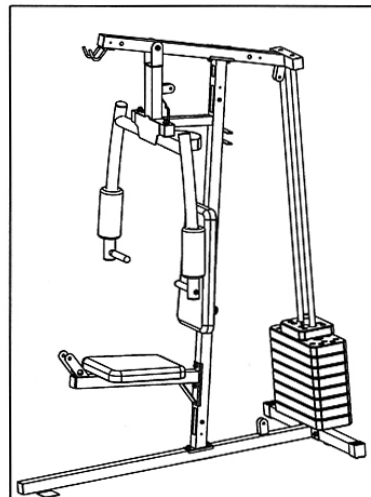
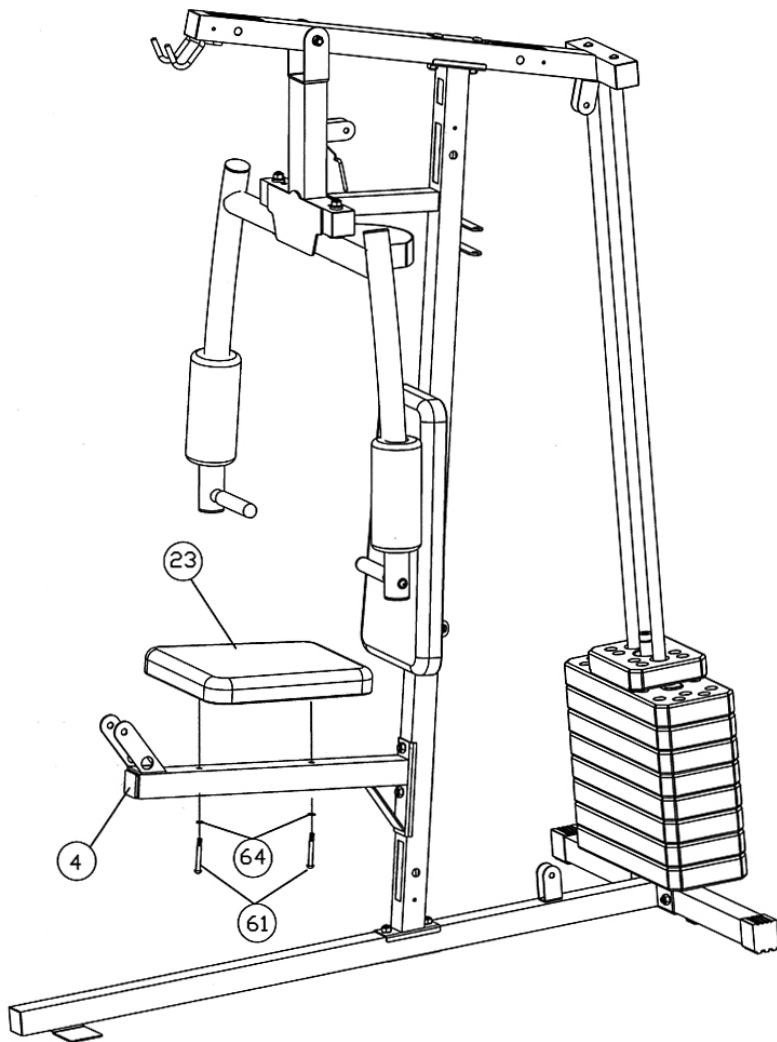
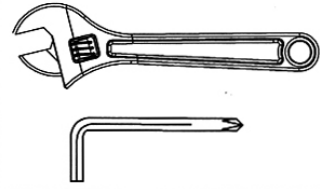


M8×2 1/2"

(64) × 2

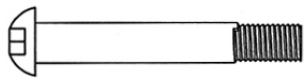


∅ 5/8"



10

59 × 1



M12×3 1/8"

69 × 1

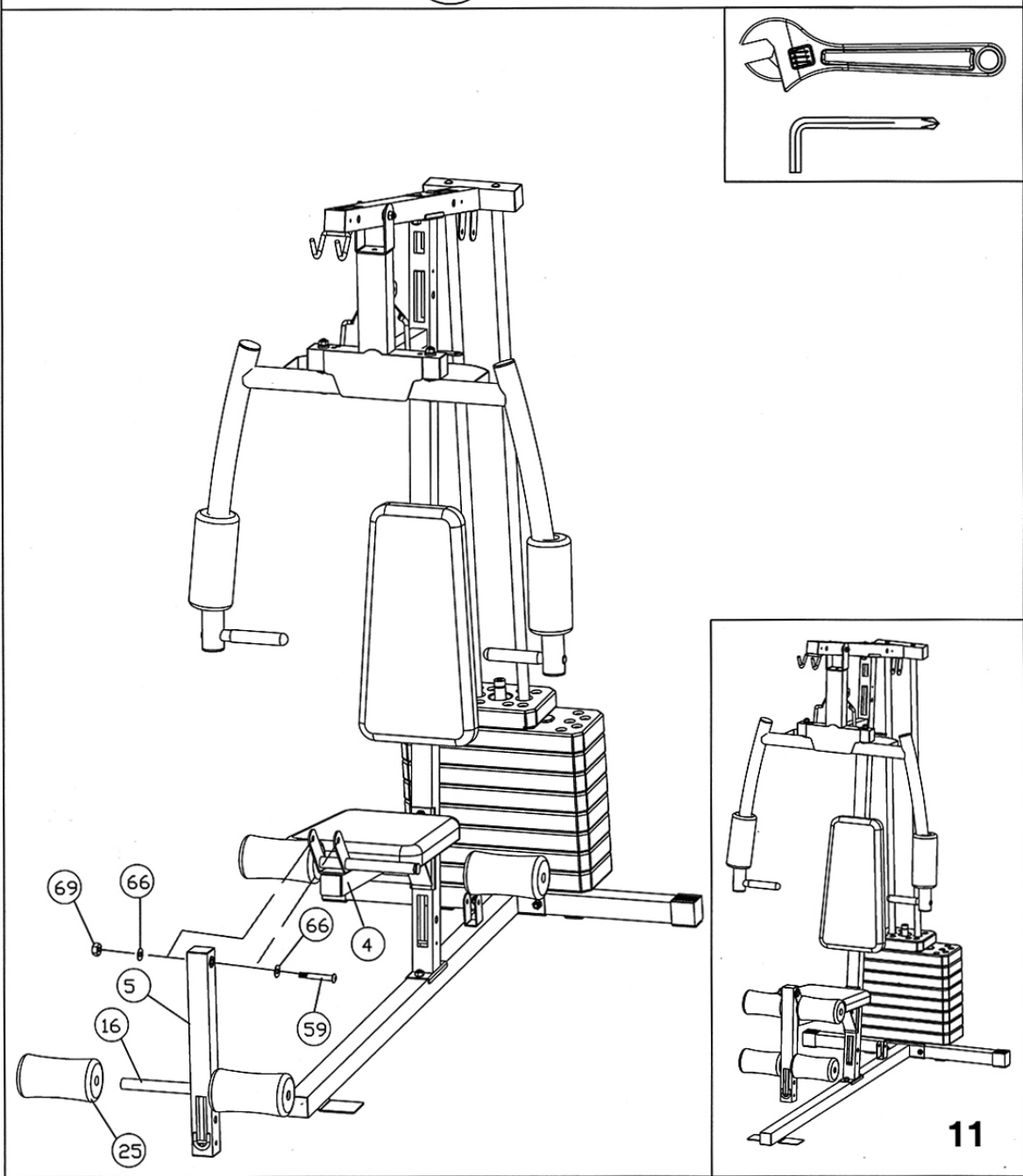
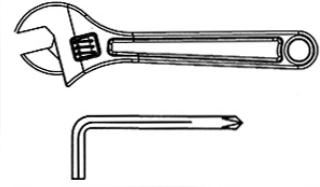


M12

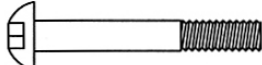

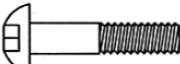


66 × 2

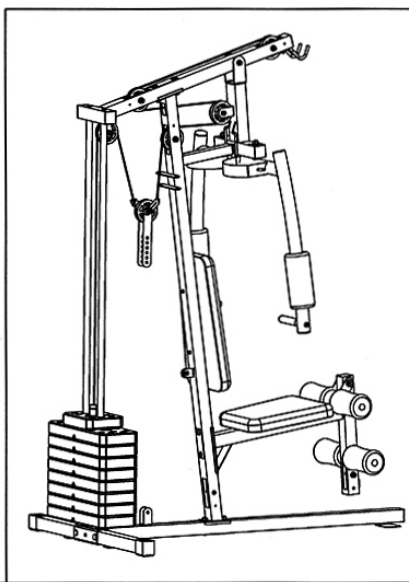
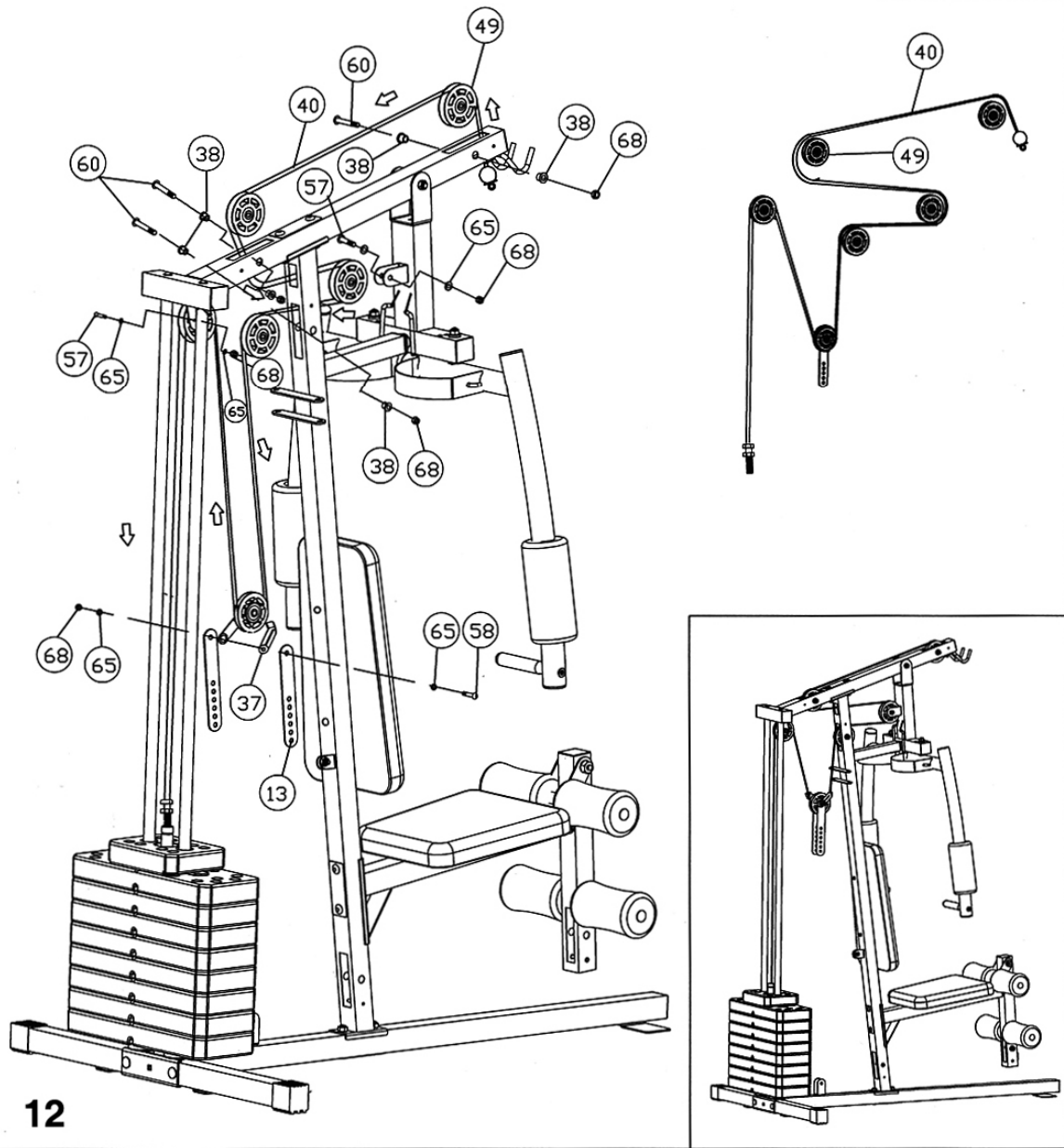
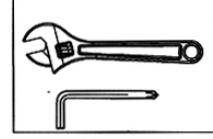


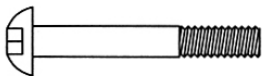


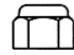
Ø 1"

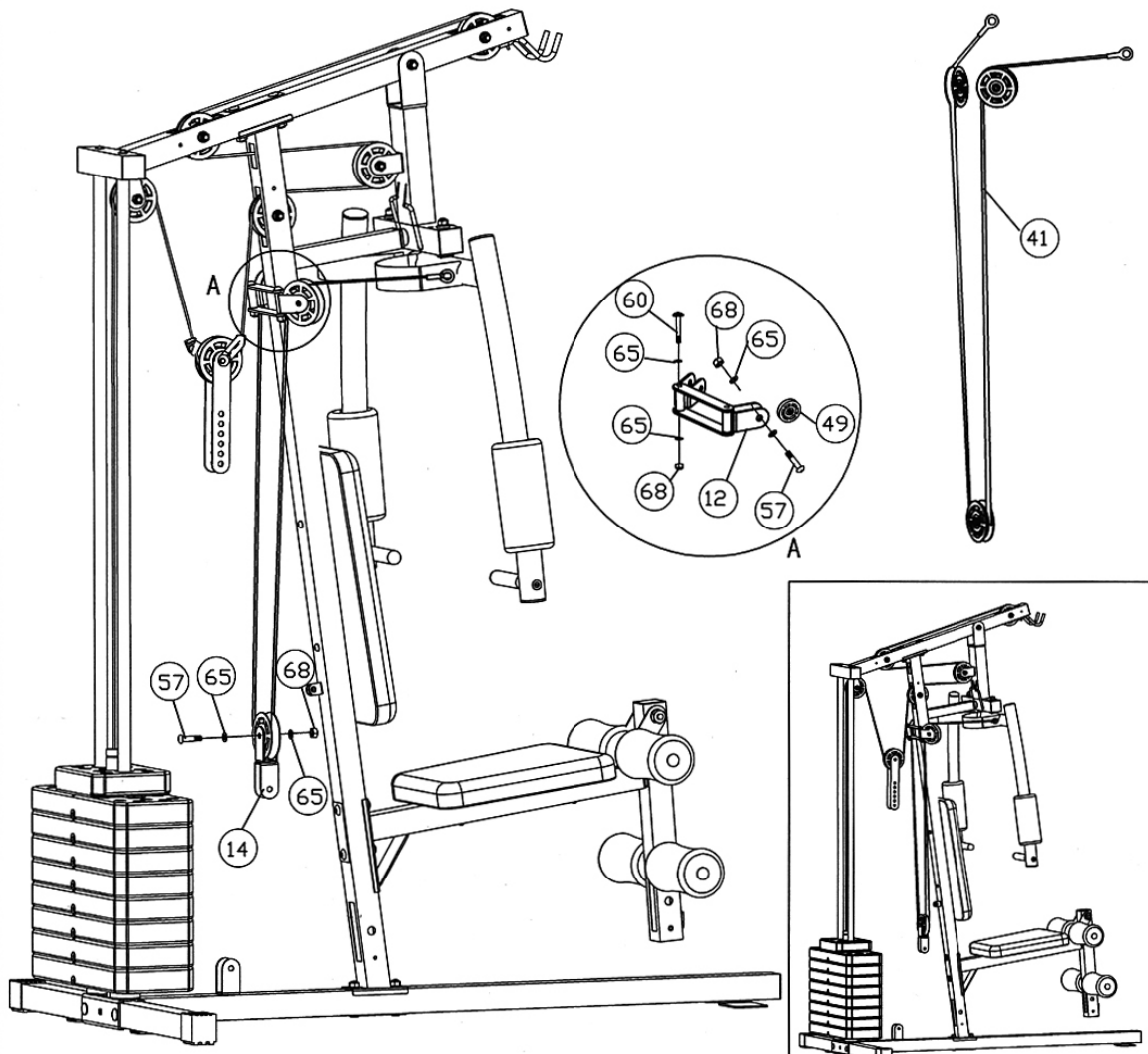
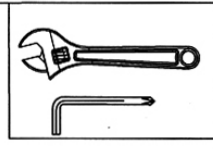




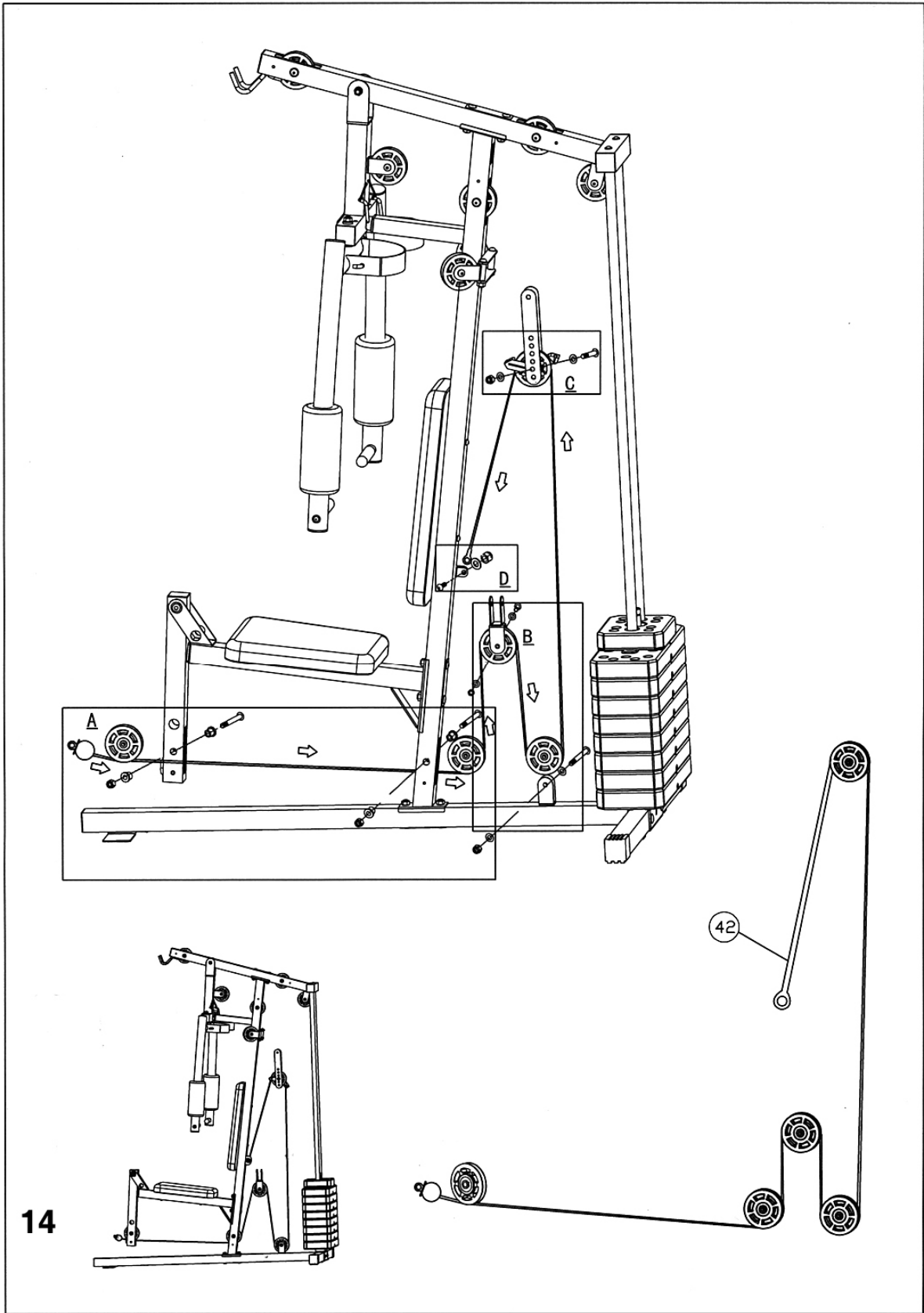
(60) × 3		M10×2 5/8"	(65) × 6		∅ 3/4"
(57) × 2		M10×1 3/4"			
(58) × 1		M10×2"	(68) × 6		M10



- (60) × 2        M10×2 5/8"    (65) × 10         $\phi$  3/4"
- (57) × 3        M10×1 1/2"    (68) × 5        M10

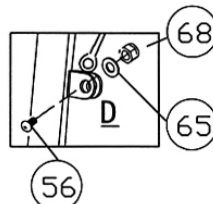
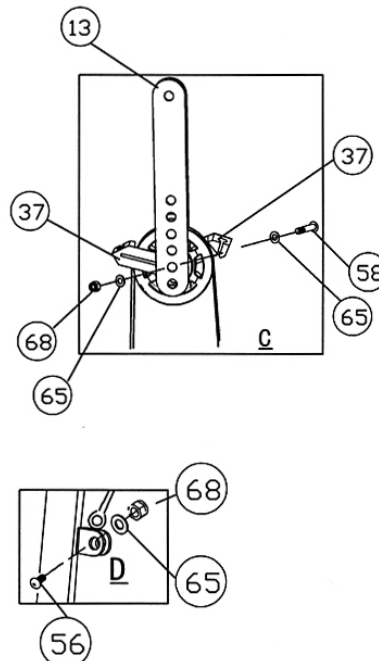
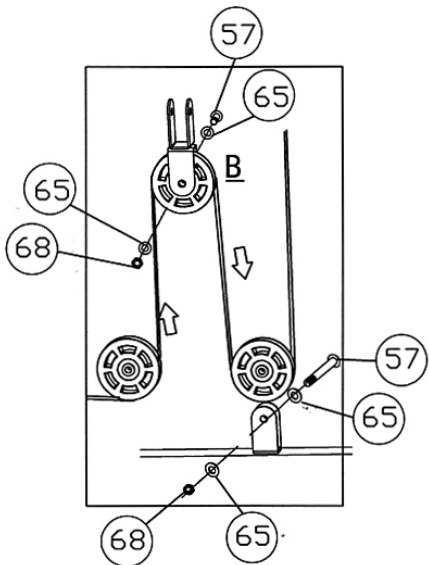
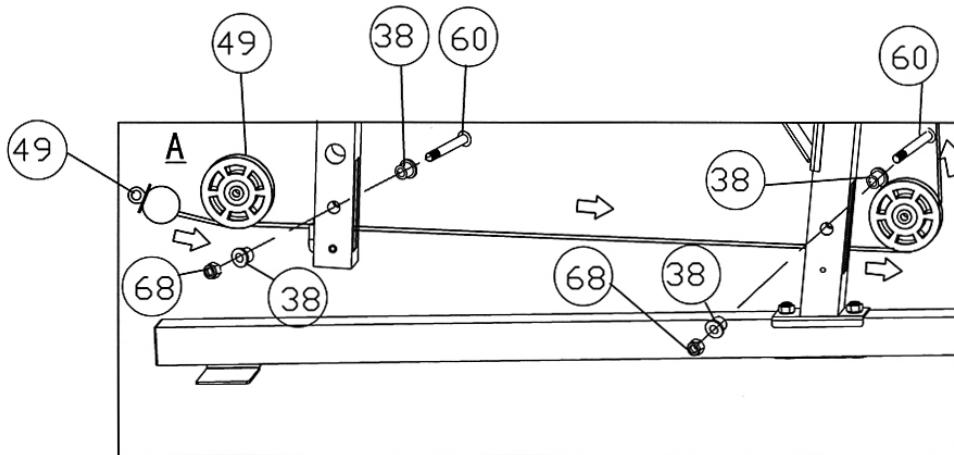


**13**

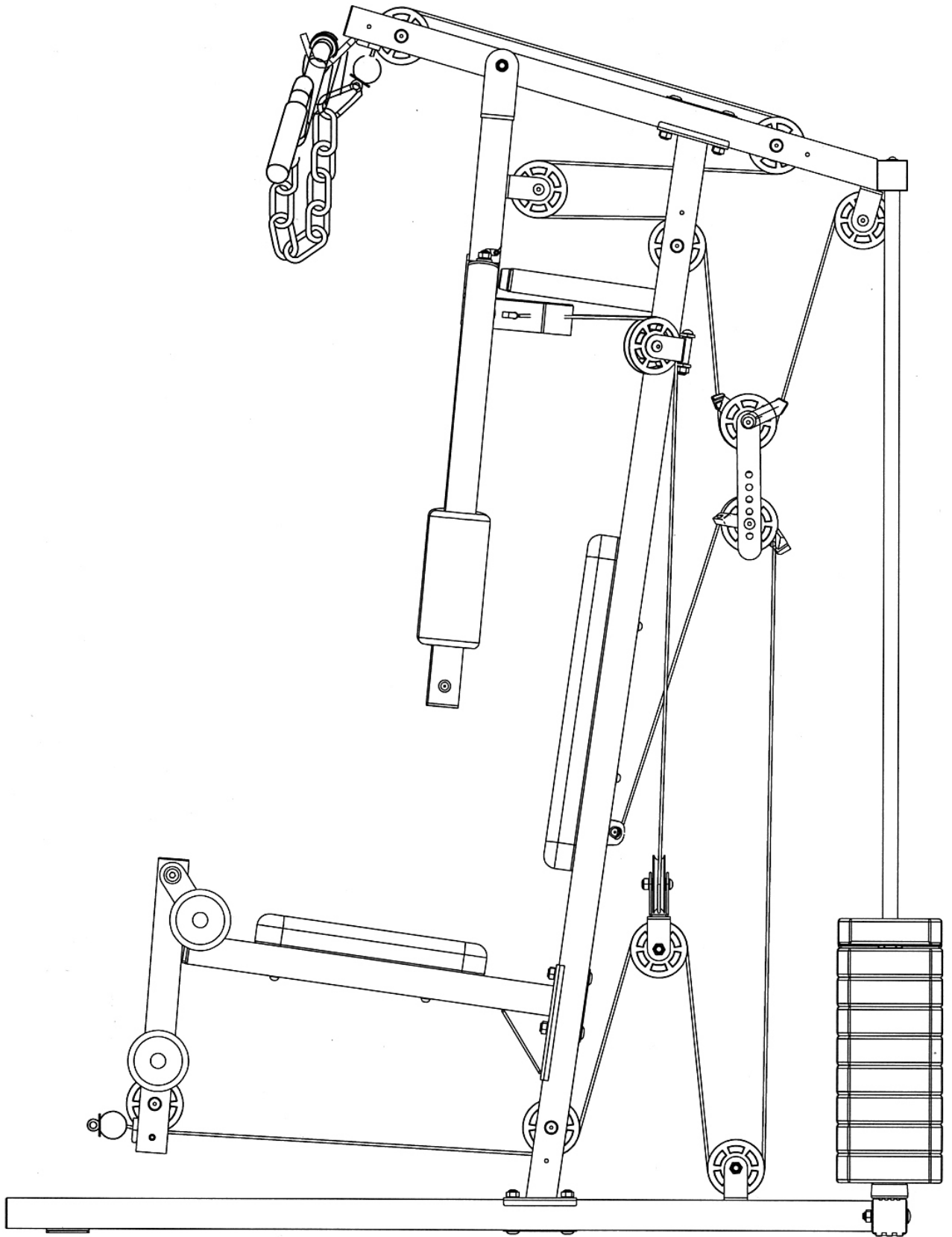


14

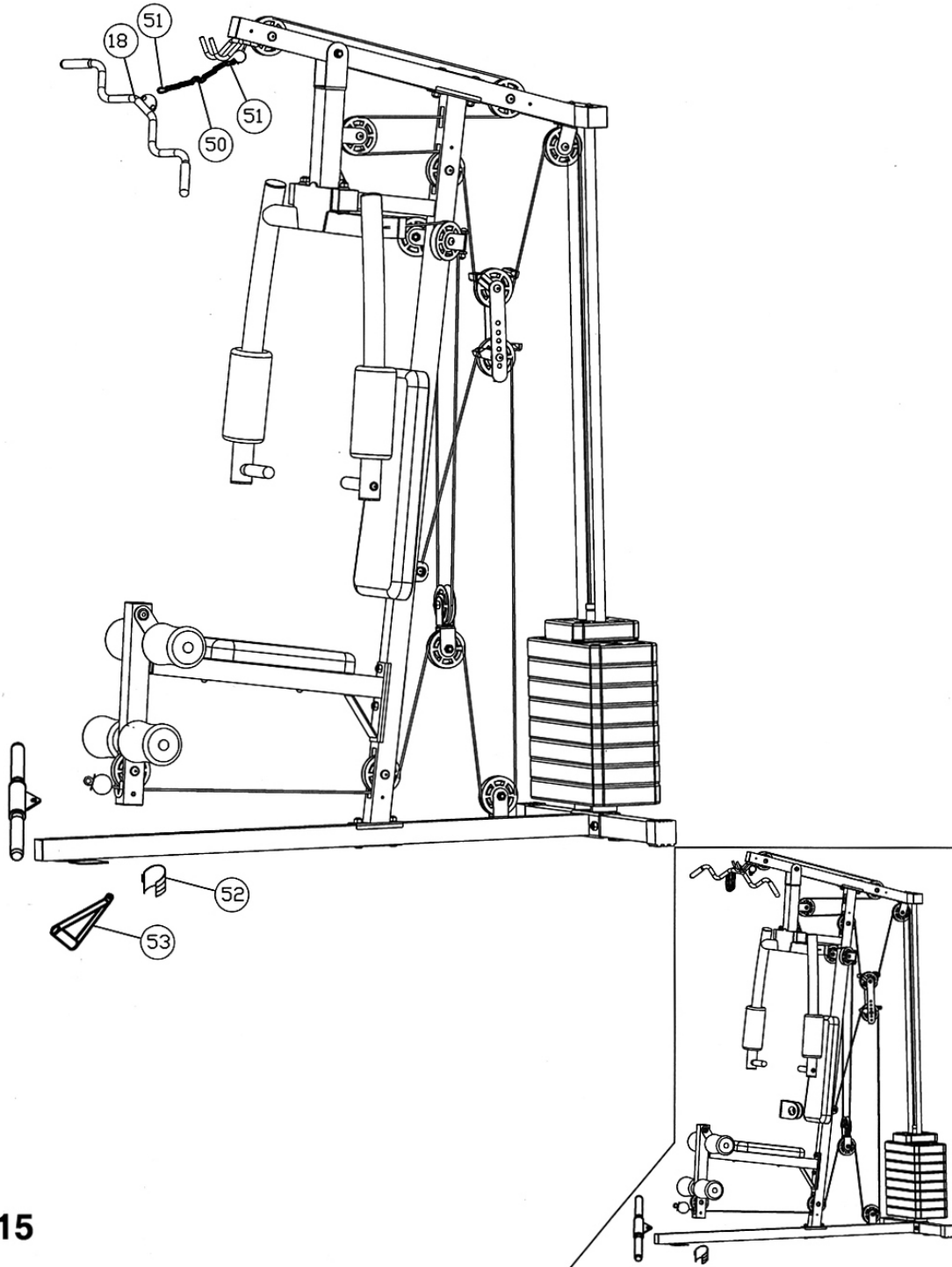
- |          |   |            |   |   |        |
|----------|---|------------|---|---|--------|
| (57) × 2 |  | M10×1 1/2" | (65) × 7  |  | ∅ 3/4" |
| (60) × 2 |  | M10×2 5/8" | (68) × 6  |  | M10    |
| (56) × 1 |  | M10×1"     |  |   |        |
| (58) × 1 |  | M10×2"     |   |   |        |

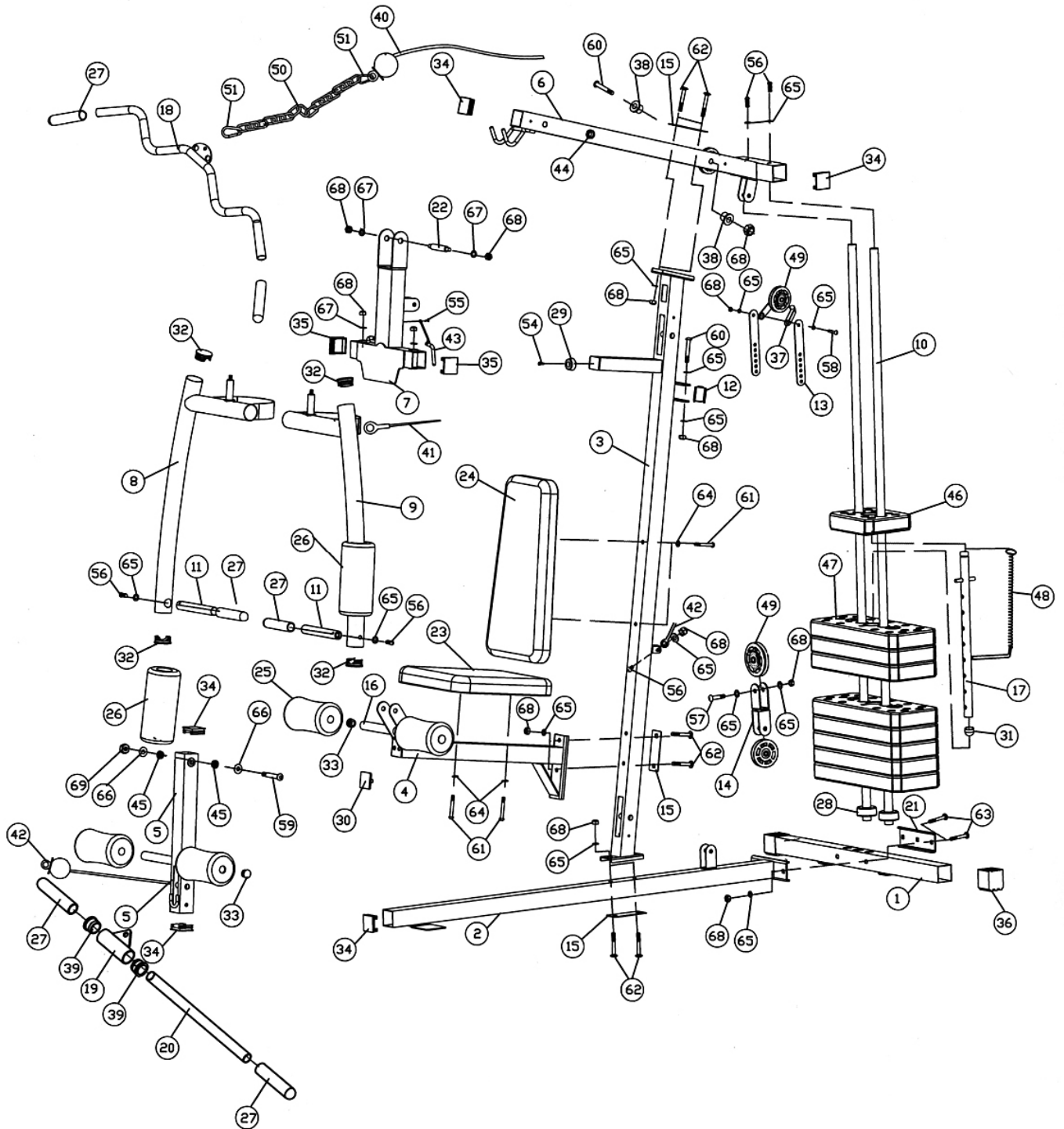


14-1



51 x 2





**IMPEX® INC.**

2801 South Towne Avenue, Pomona, California 91766

Tel: (800) 999-8899 Fax: (626) 961-9966

**[www.impex-fitness.com](http://www.impex-fitness.com)**

**[info@impex-fitness.com](mailto:info@impex-fitness.com)**