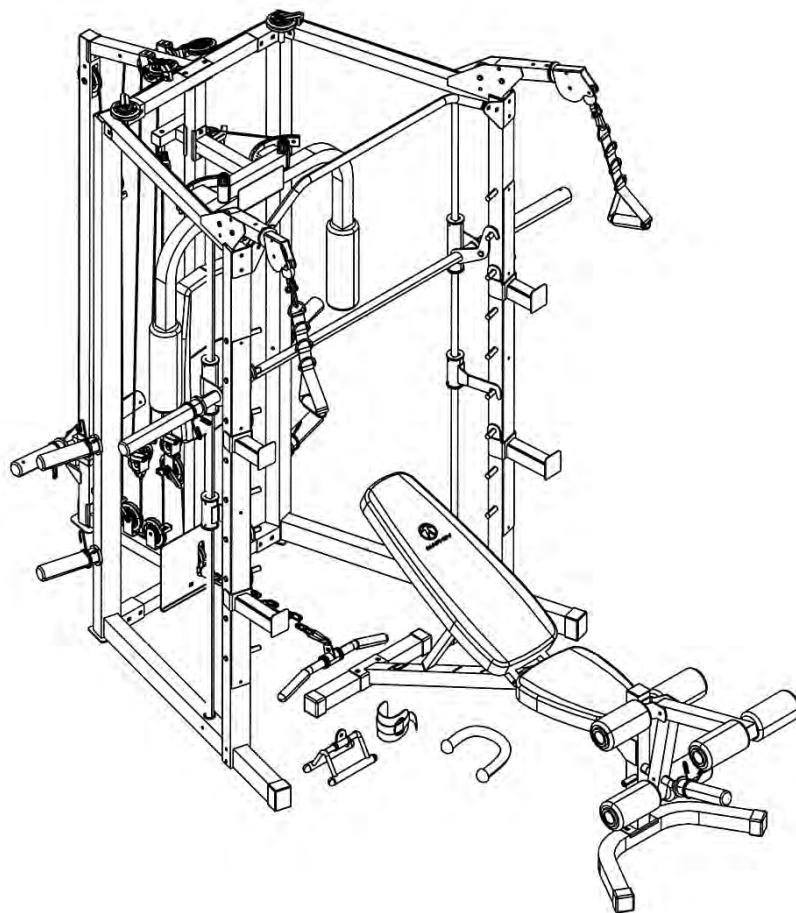




MARCY®

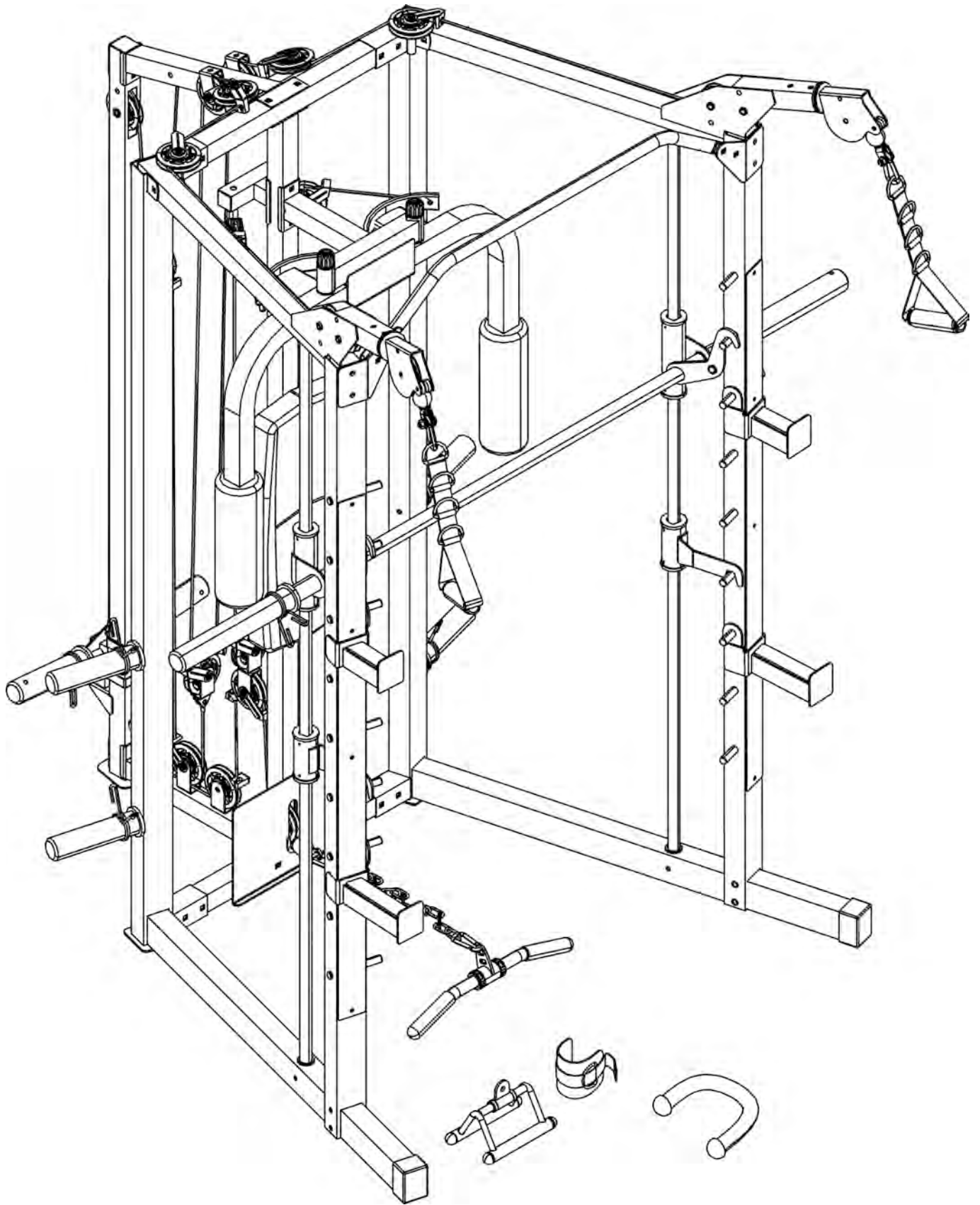
MARCY® SMITH MACHINE SM-4008

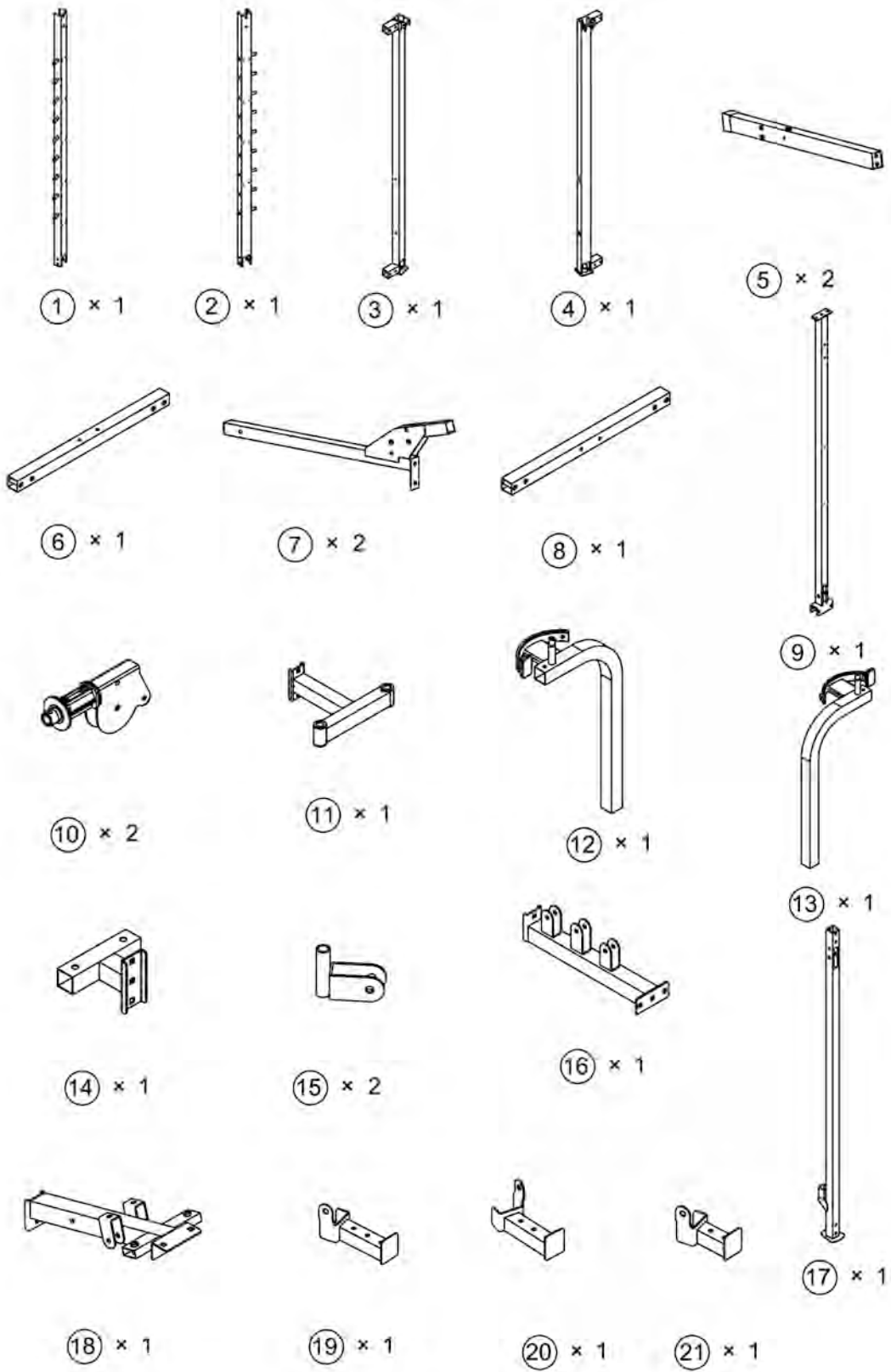


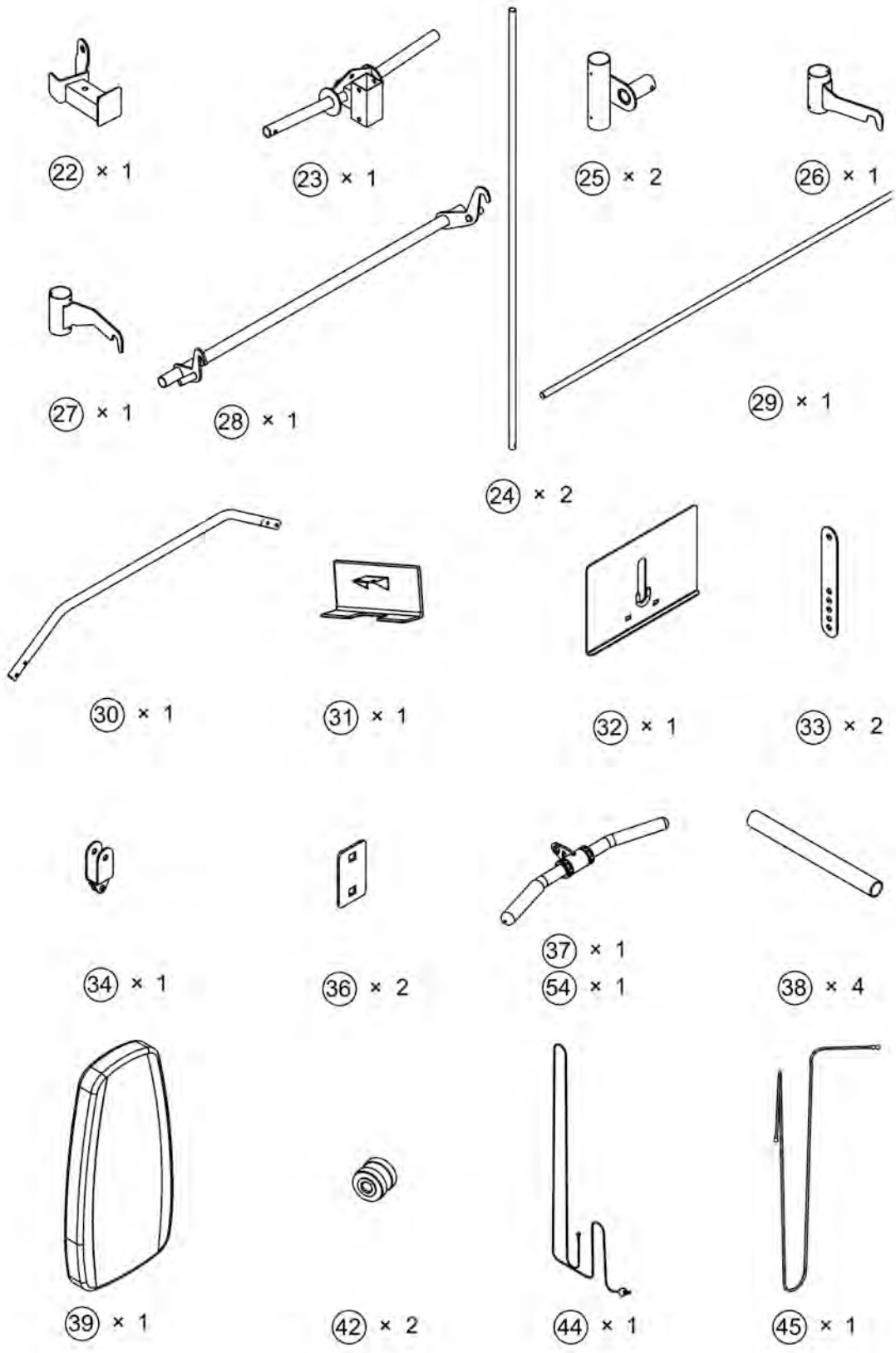
IMPORTANT: Please read the Important Safety Notice and Assembly Information in the Owner's manual before assembling this product.

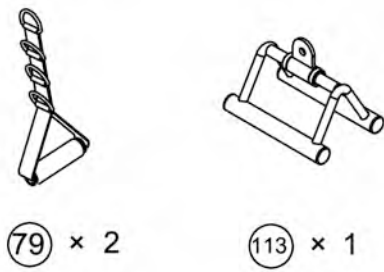
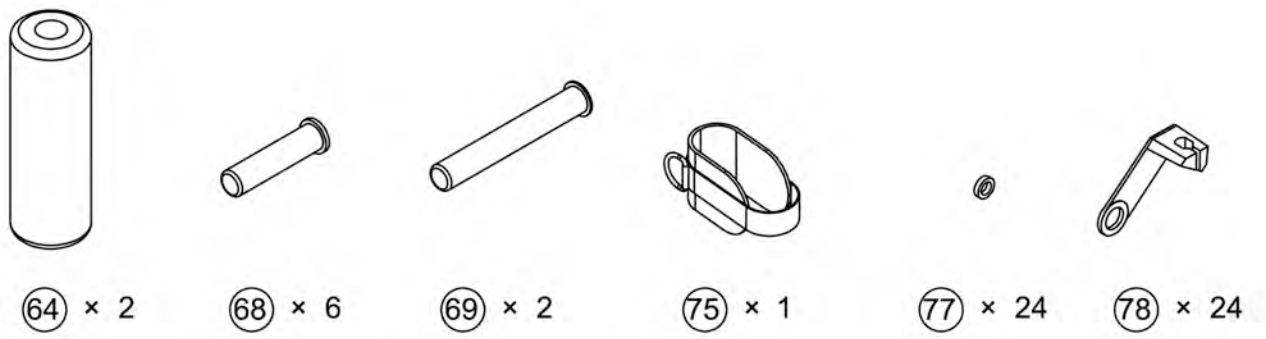
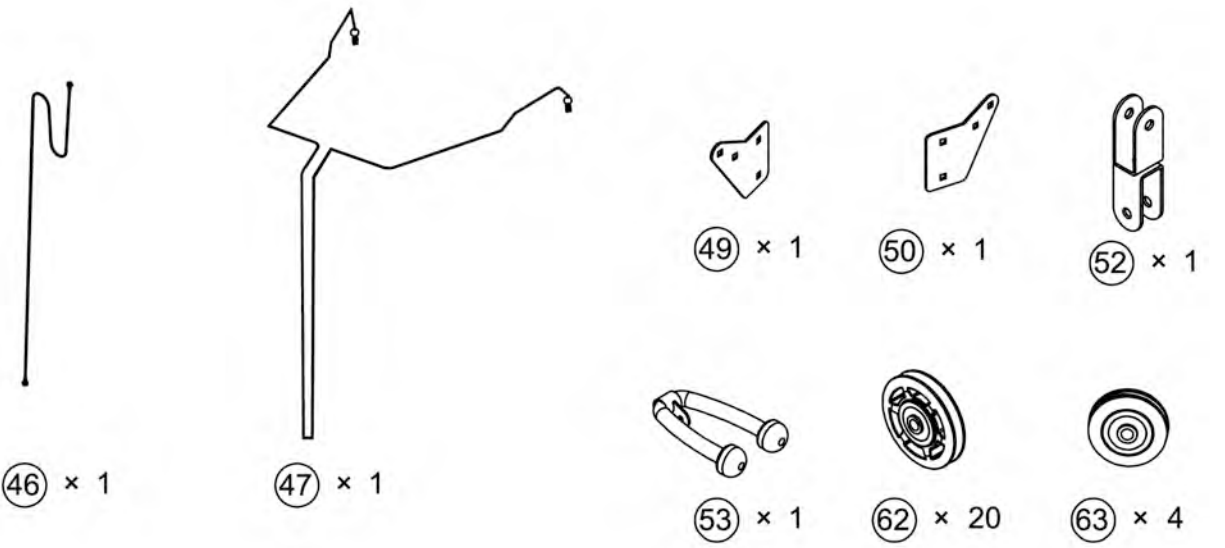
Assembly Manual

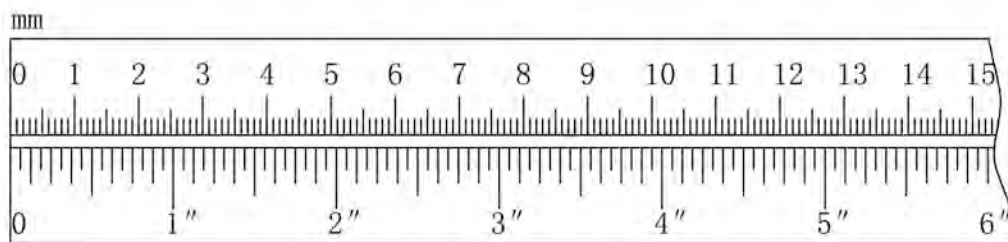
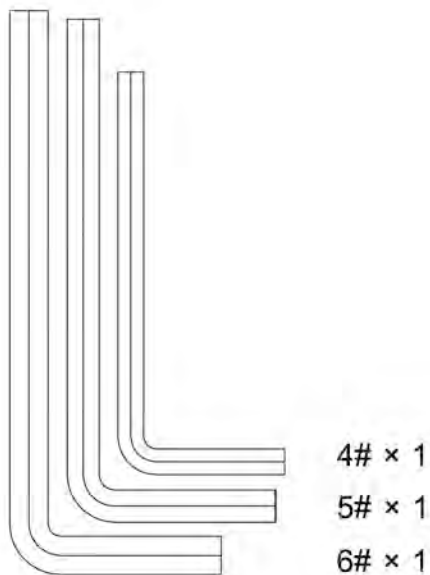
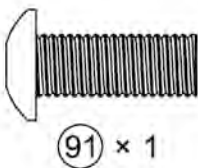
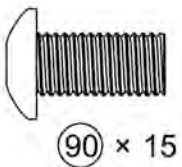
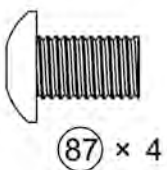
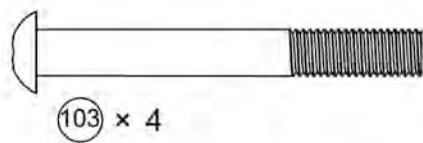
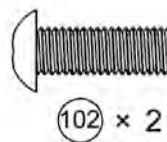
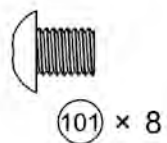
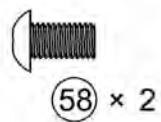
190127

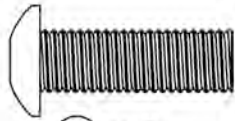




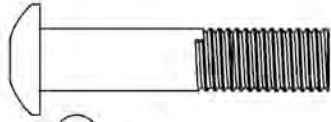




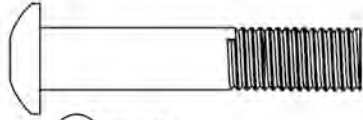




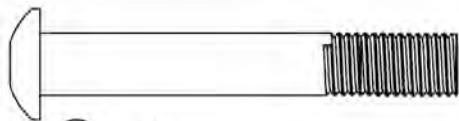
92 × 2



93 × 4



94 × 10



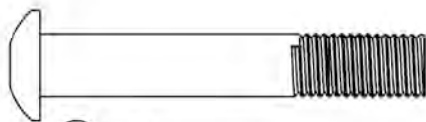
95 × 12



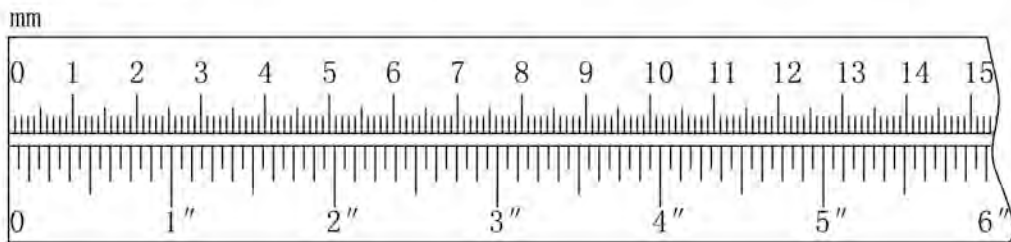
97 × 6

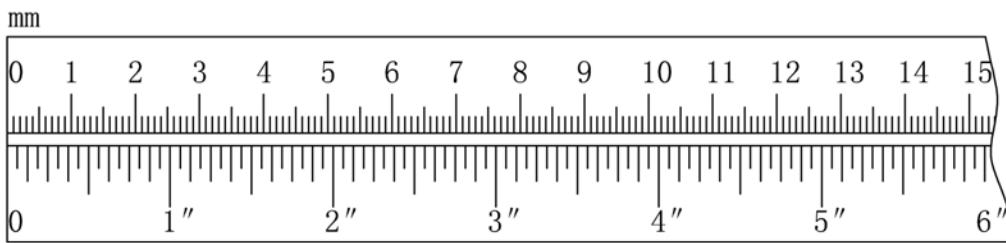
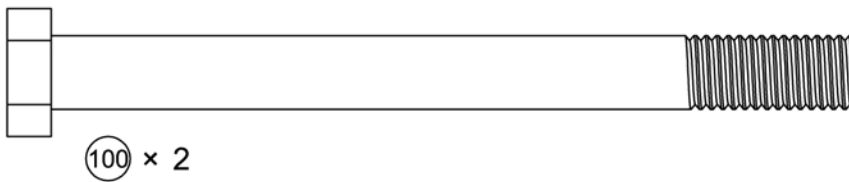
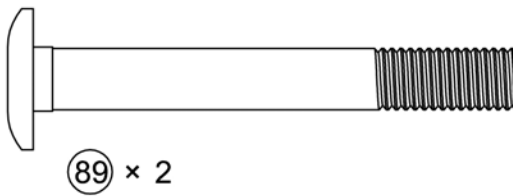
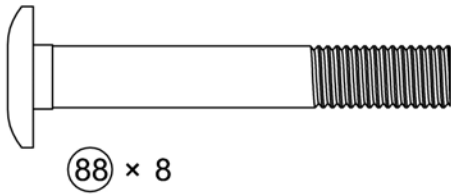
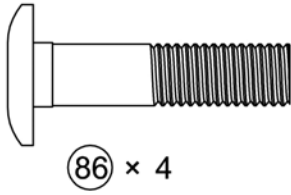
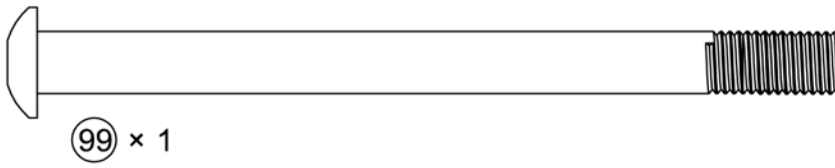


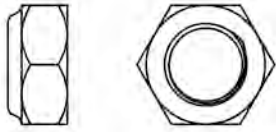
98 × 4



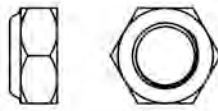
118 × 1



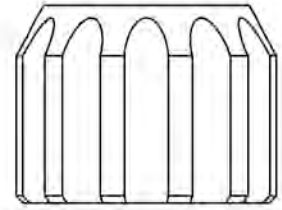




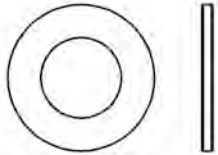
110 × 52



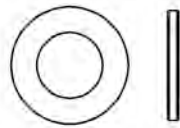
109 × 4



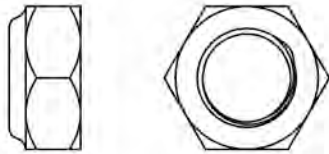
35 × 2



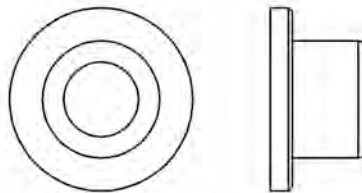
107 × 104



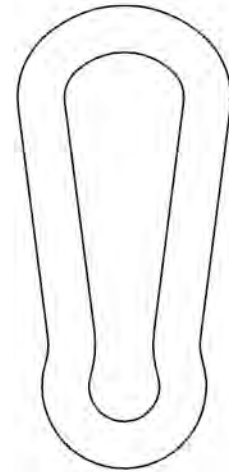
106 × 18



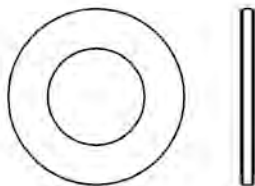
111 × 2



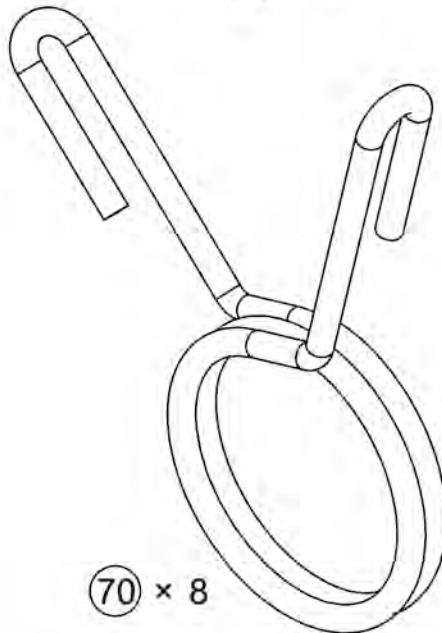
57 × 4



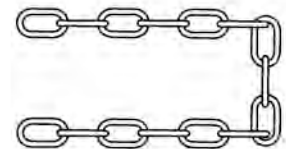
73 × 4



108 × 4



70 × 8



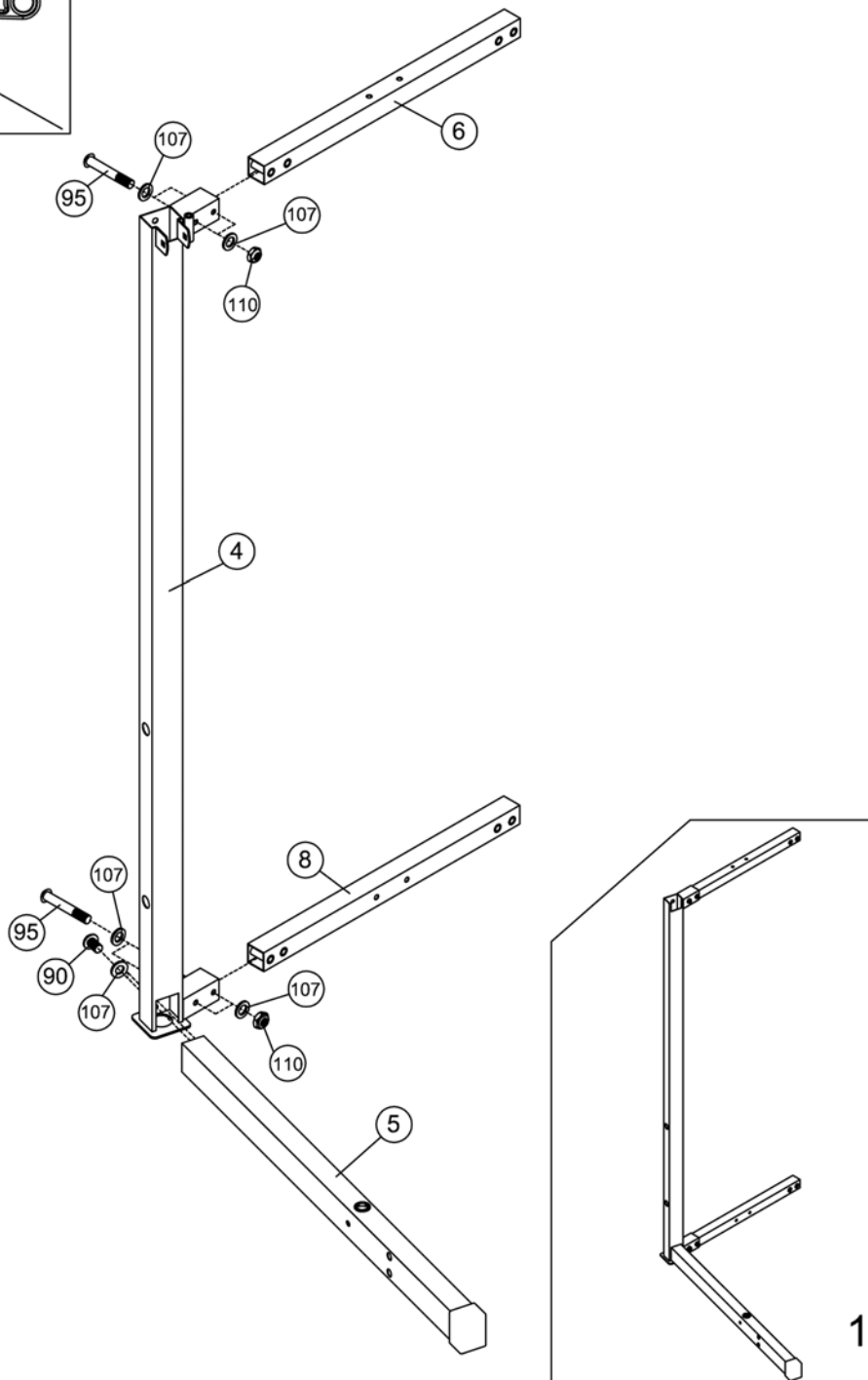
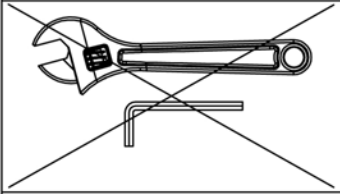
72 × 1

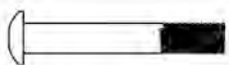





95  ×4 M10×2 1/2"

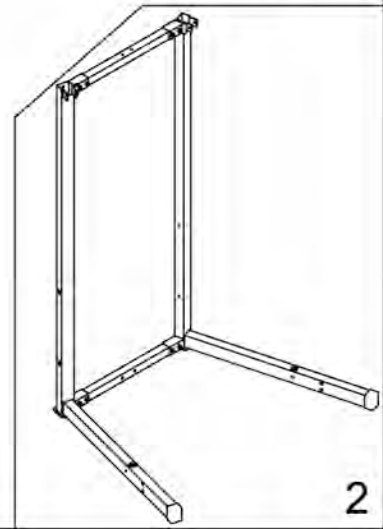
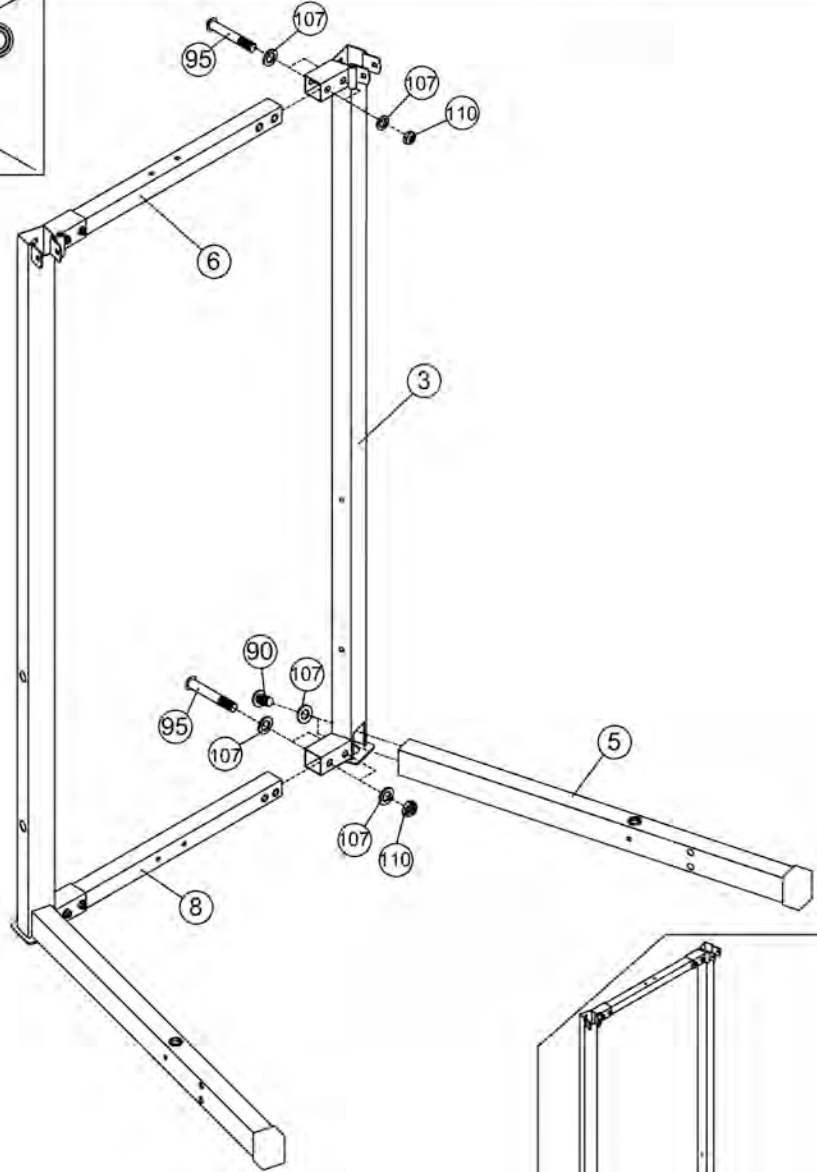
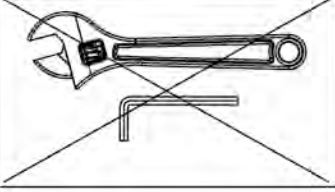
107   ×10 $\Phi \frac{3}{4}$ "

90  ×2 M10× 3/4"

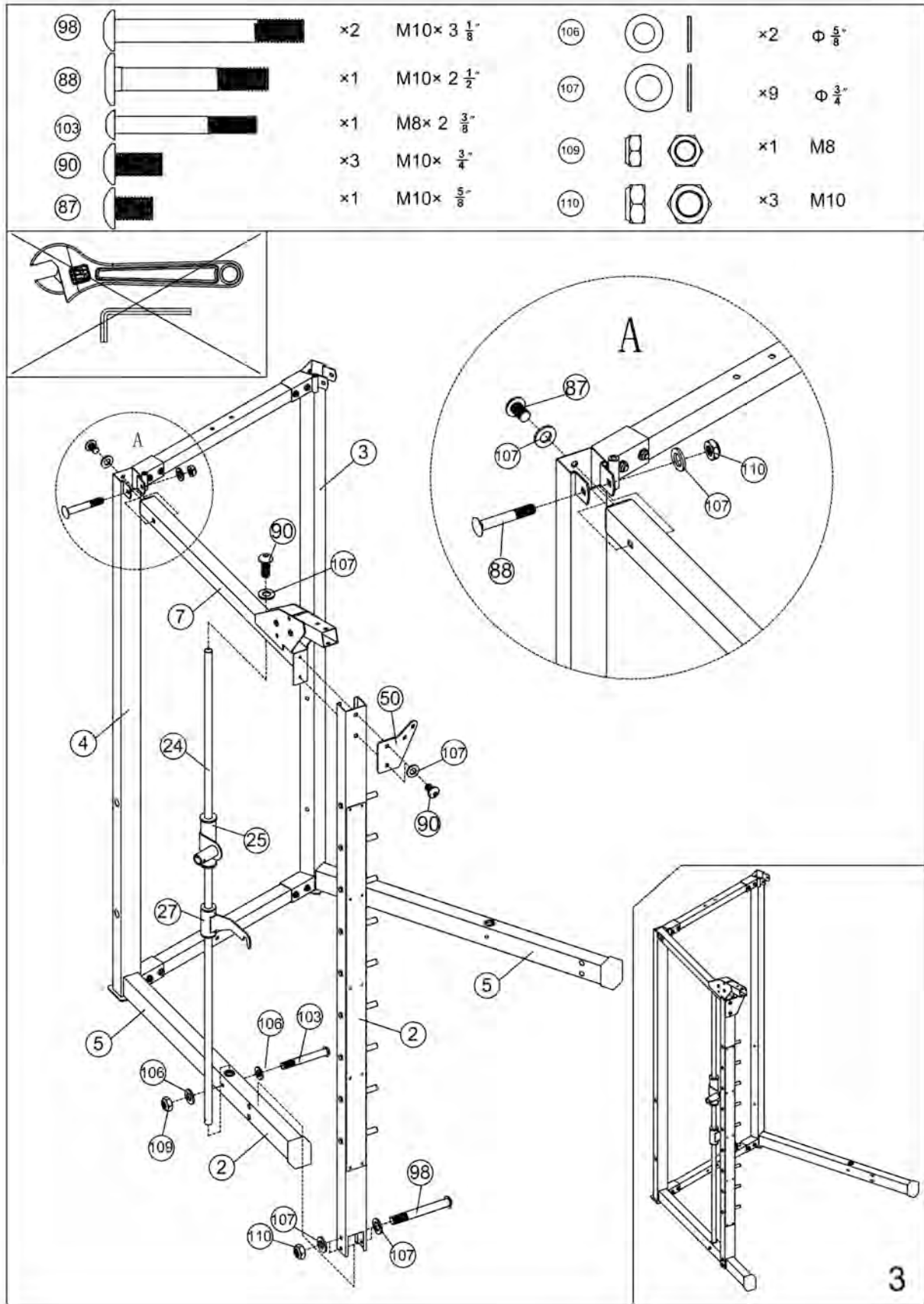
110   ×4 M10

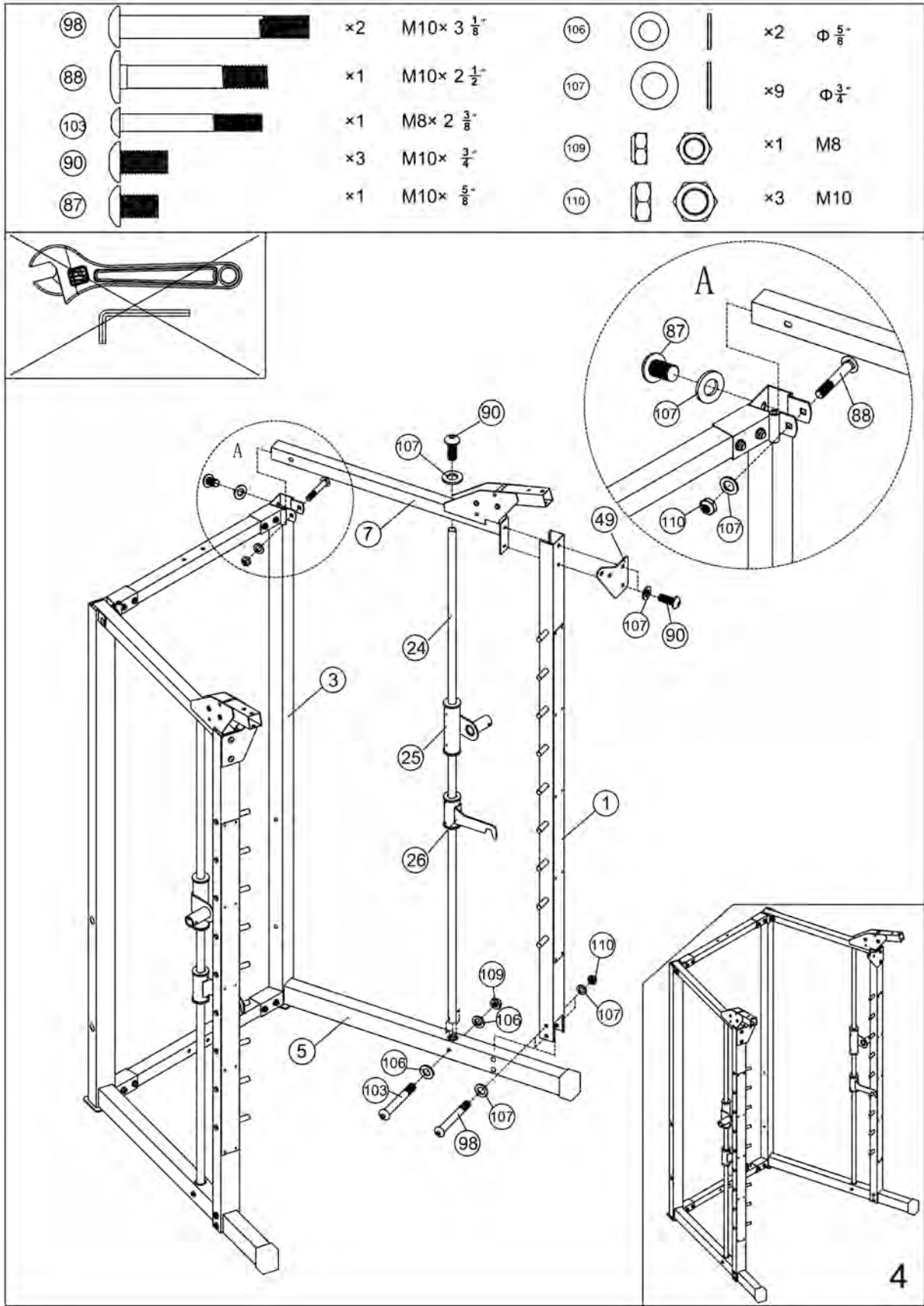


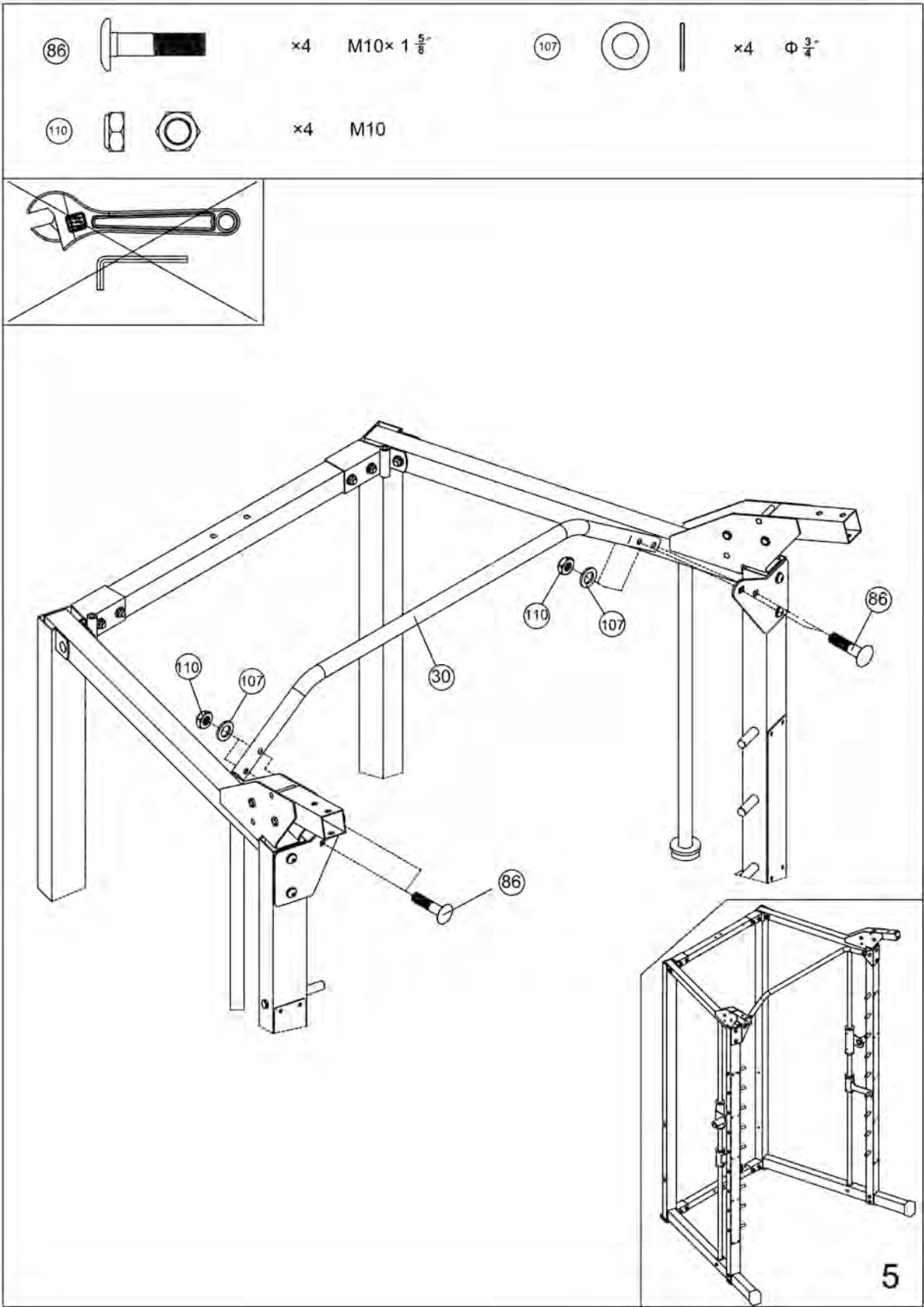
- | | | | | | | | |
|----|---|----|--------------|-----|---|-----|--------|
| 95 |  | x4 | M10 x 2 1/2" | 107 |   | x10 | Φ 3/4" |
| 90 |  | x2 | M10 x 3/4" | 110 |   | x4 | M10 |








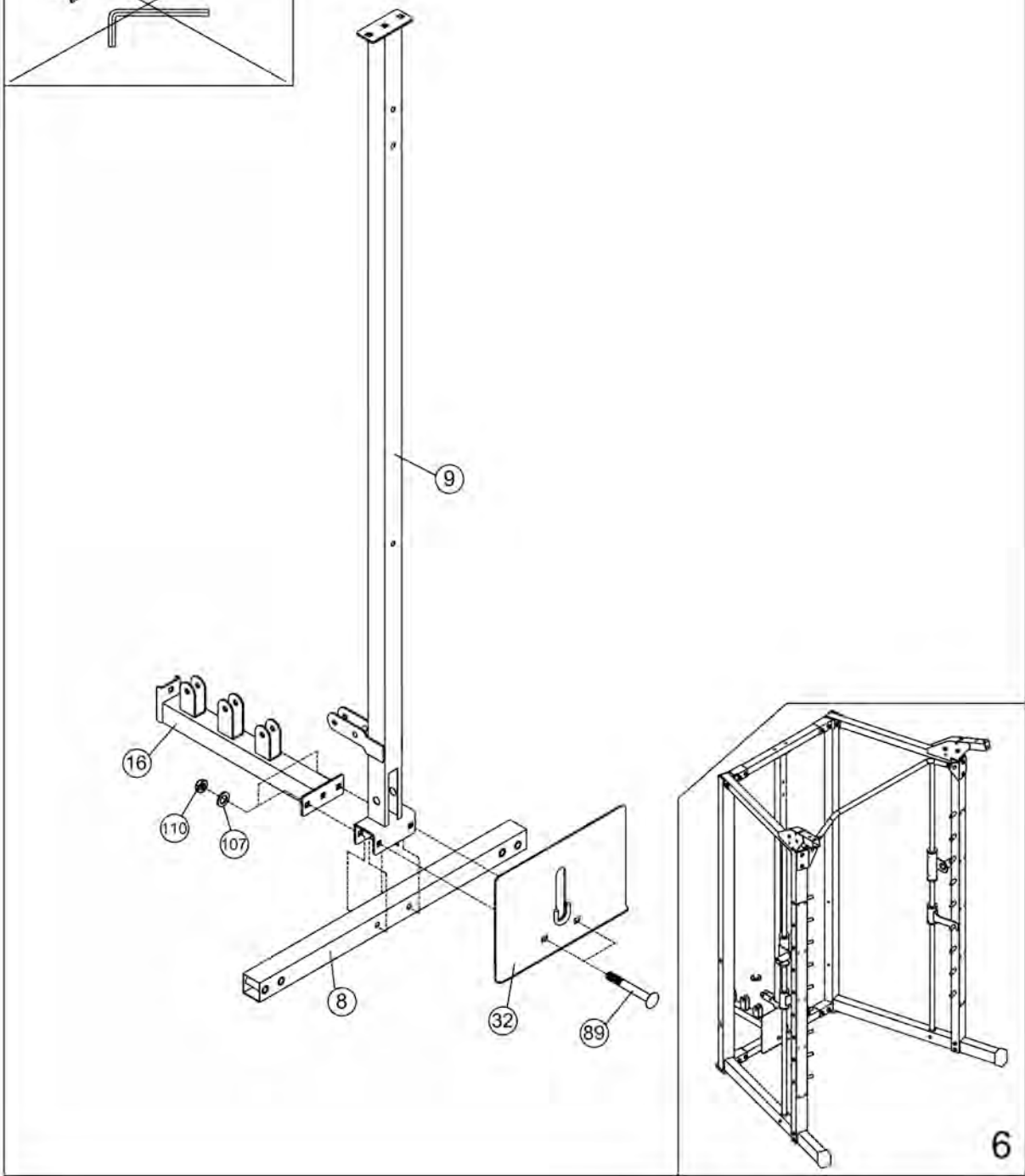
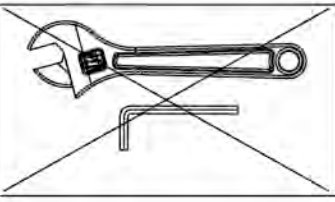
2







- 89

×2 M10×3"
- 107


×2 $\Phi \frac{3}{4}$ "
- 110


×2 M10

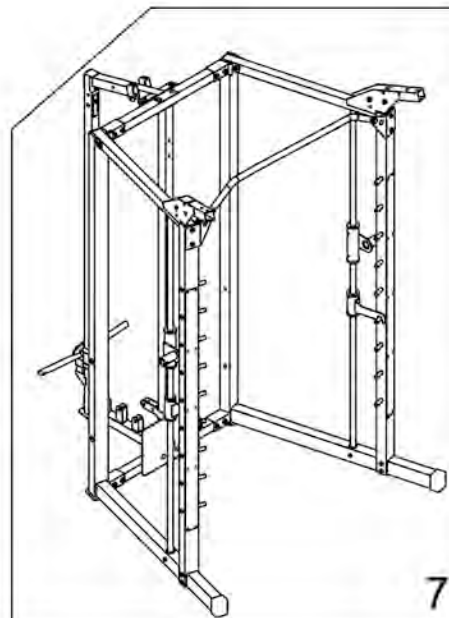
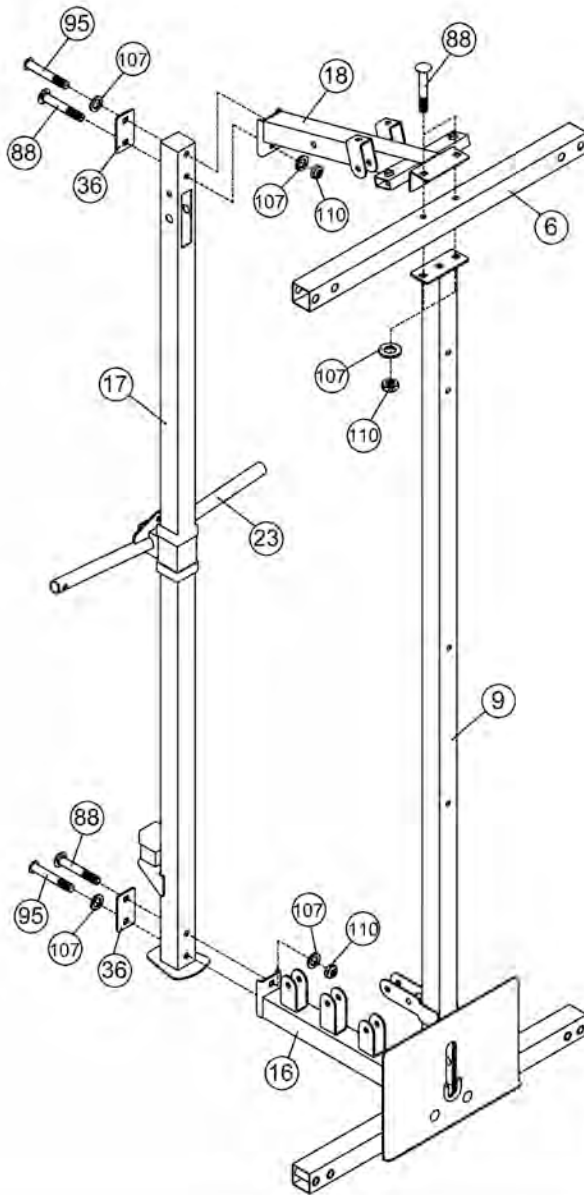
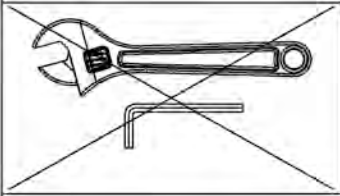


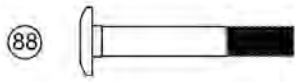
(88)  ×4 M10×2 1/2"

(107)  ×6 $\Phi \frac{3}{4}$ "

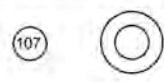
(95)  ×2 M10×2 1/2"

(110)  ×4 M10





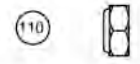
x2 M10x 2 1/2"



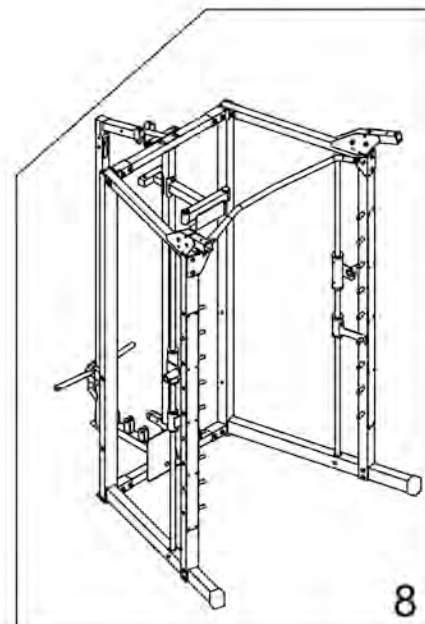
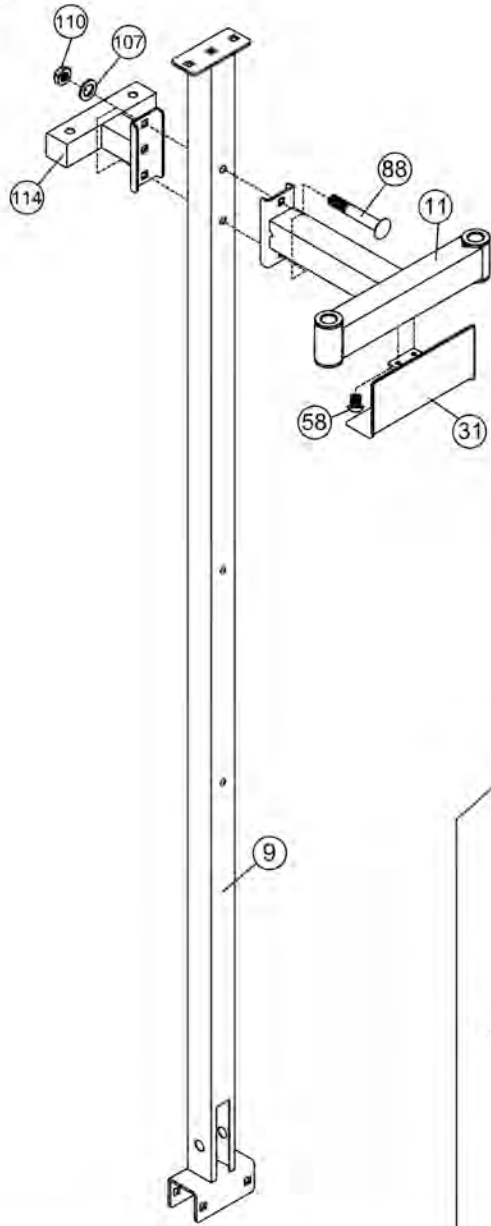
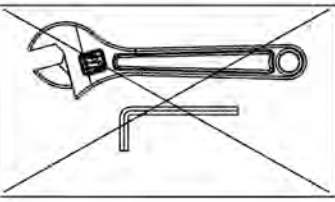
x2 Φ 3/4"








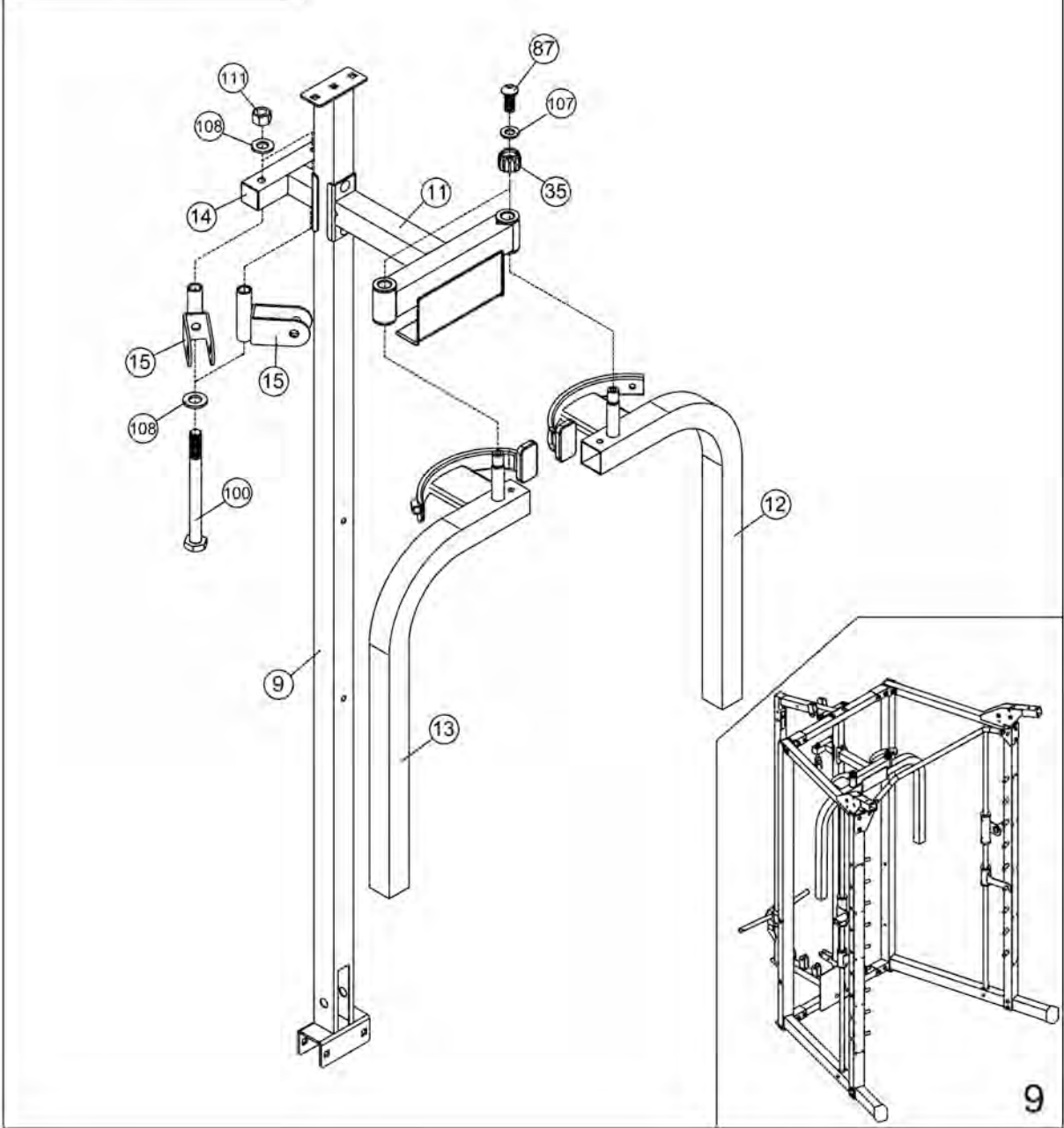
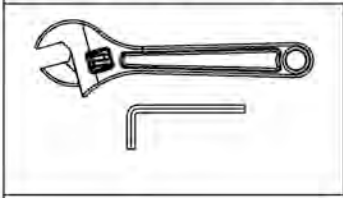
x2 M6x 3/8"



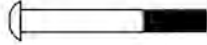
x2 M10



| | | | | | | | |
|-------|---|----|-----------|-------|---|----|--------|
| (100) |  | ×2 | M12×5" | (107) |  | ×2 | Φ 3/4" |
| (87) |  | ×2 | M10× 5/8" | (108) |  | ×4 | Φ 1" |
| (111) |  | ×2 | M12 | | | | |



103

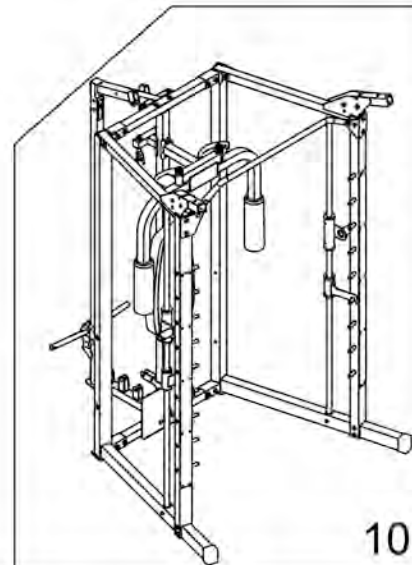
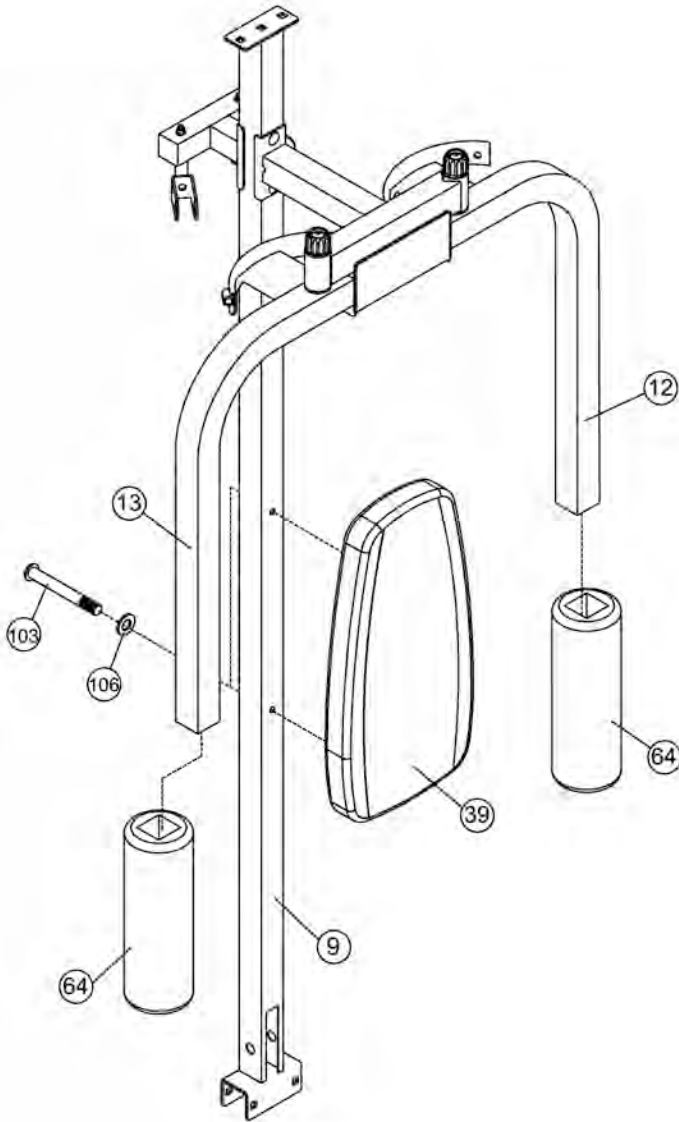


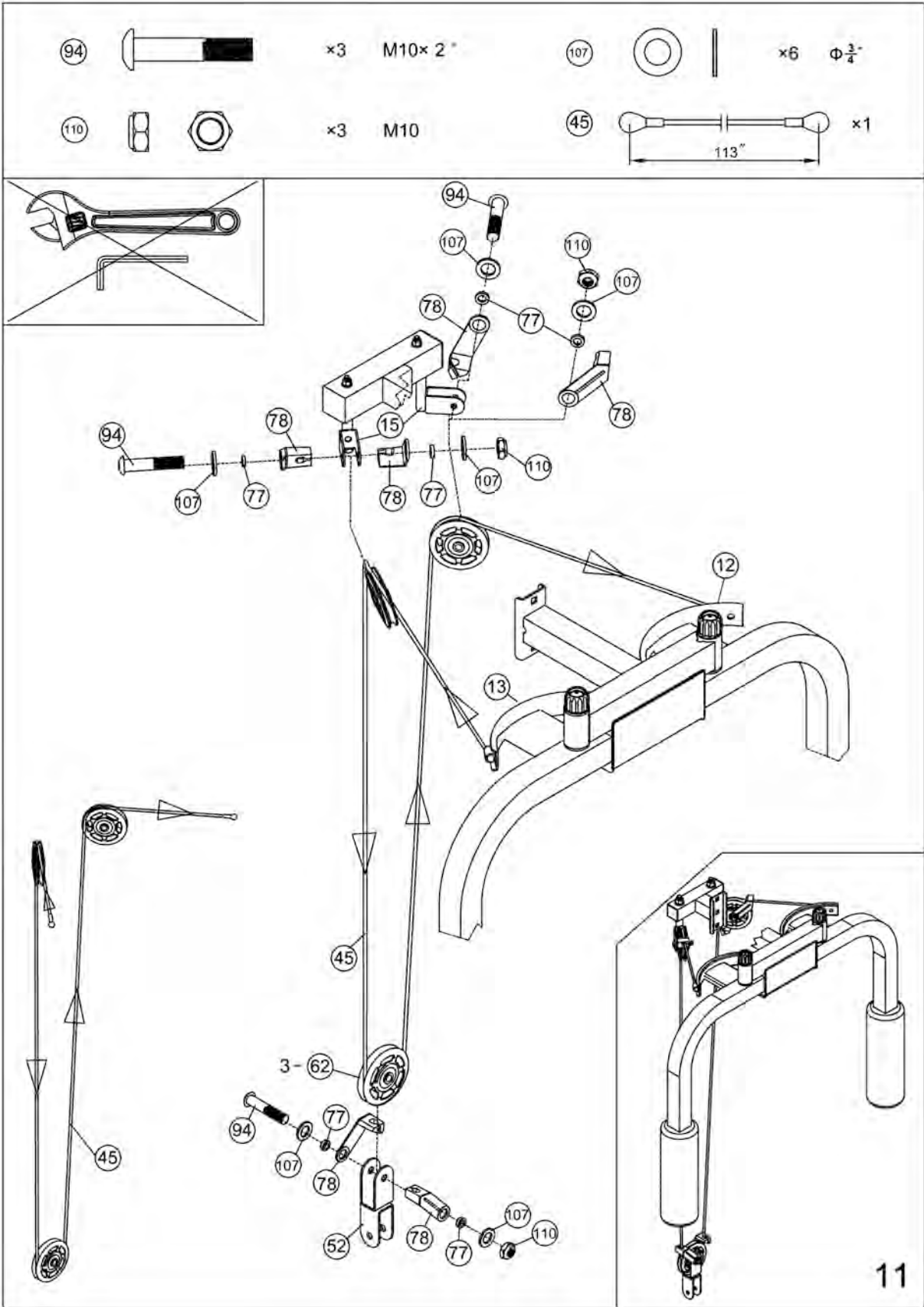
x2 M8 x 2 3/8"











106

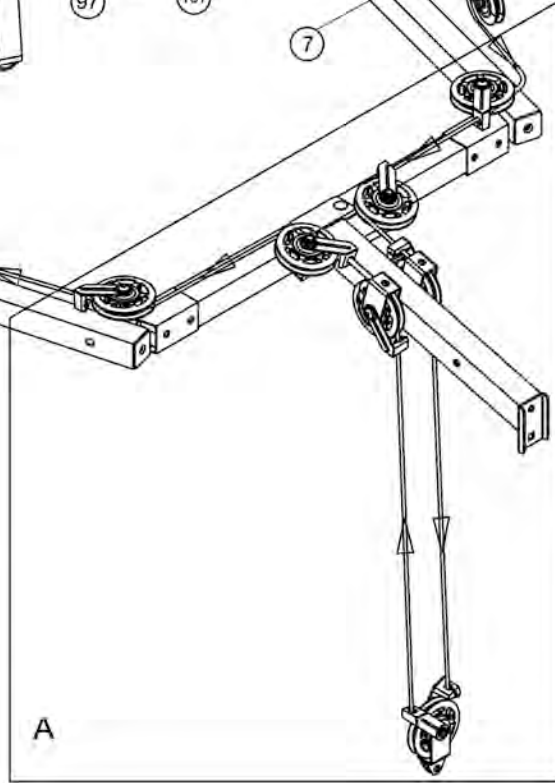
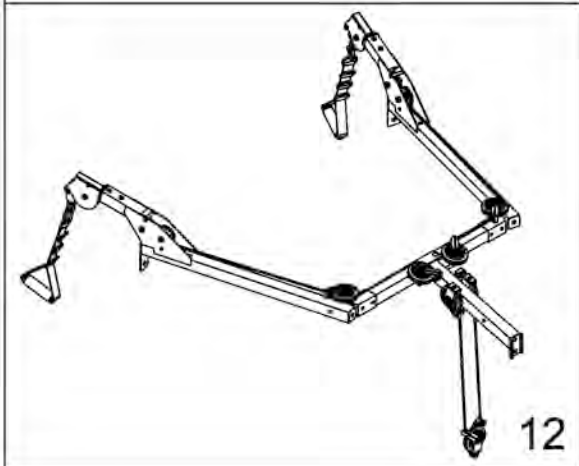
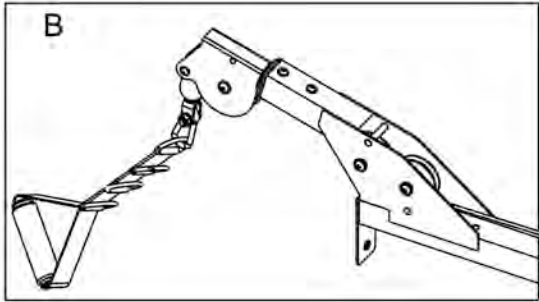
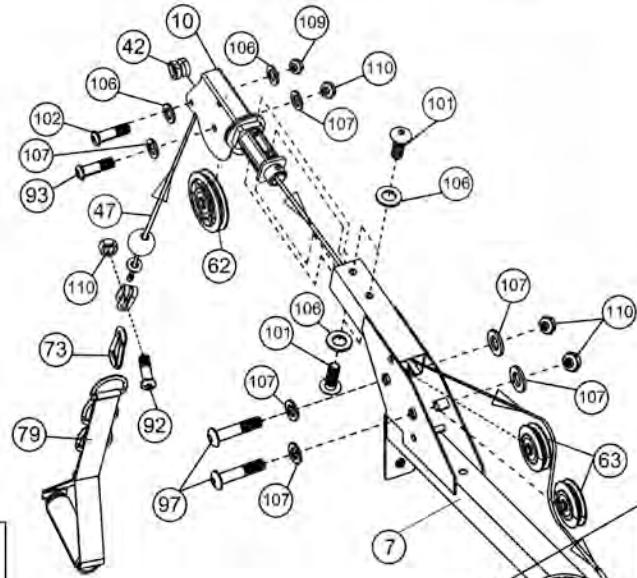
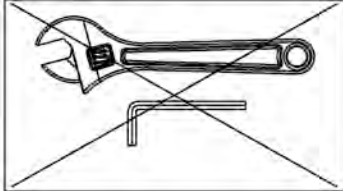


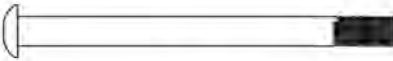







x2 $\Phi \frac{5}{8}$ "

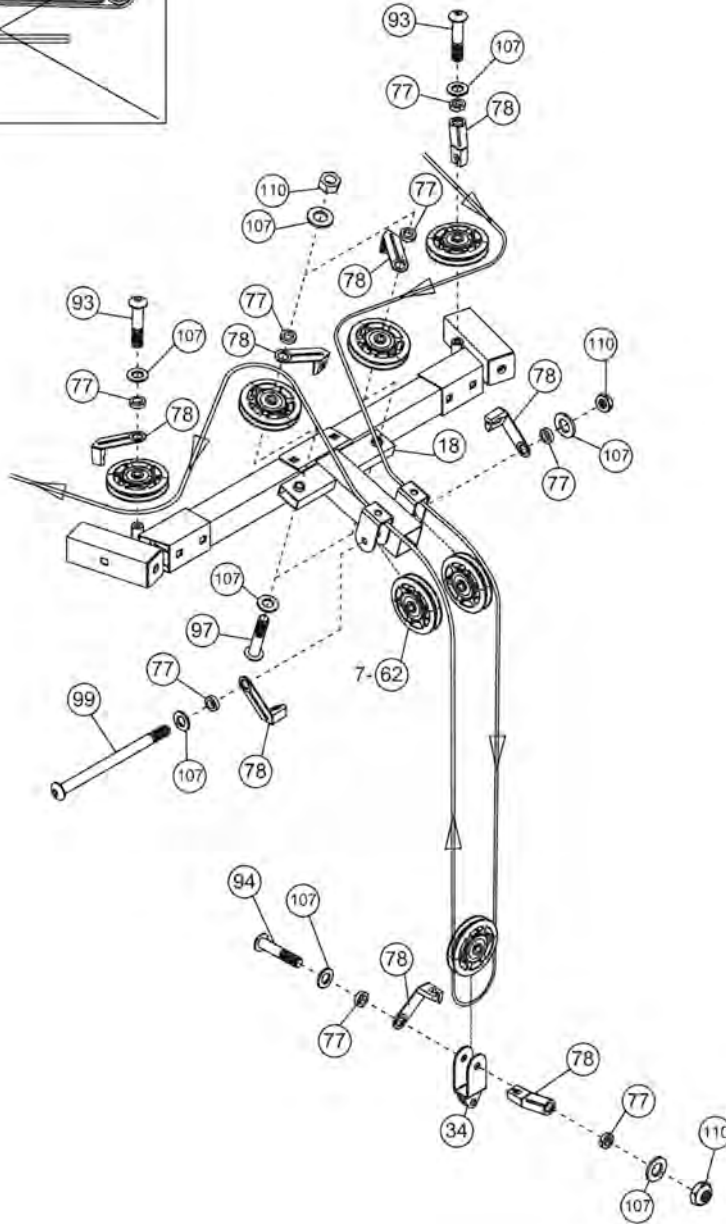
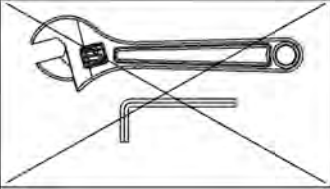













| | | | | | | | |
|-------|---|----|------------------------|-------|---|----|----------------------|
| (97) |  | ×2 | M10× 2 $\frac{3}{4}$ " | (106) |  | ×6 | $\Phi \frac{5}{8}$ " |
| (93) |  | ×1 | M10× 1 $\frac{3}{4}$ " | (107) |  | ×6 | $\Phi \frac{3}{4}$ " |
| (102) |  | ×1 | M8× 1 $\frac{5}{8}$ " | (109) |  | ×1 | M8 |
| (92) |  | ×1 | M10× 1 $\frac{1}{8}$ " | (110) |  | ×4 | M10 |
| (101) |  | ×2 | M8× $\frac{3}{8}$ " | (47) |  | ×1 | |

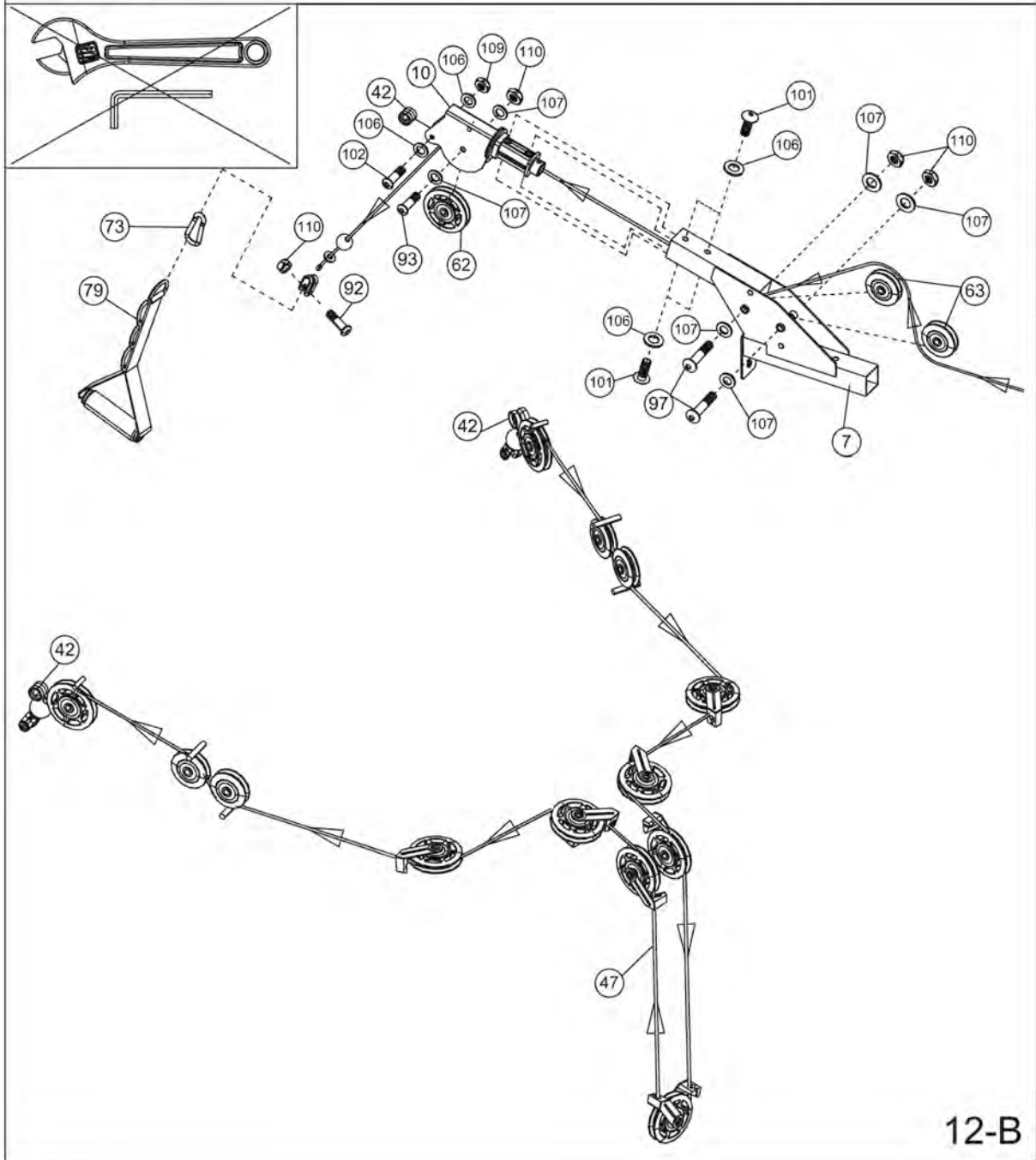


- ⑨⑨  ×1 M10×5"
 - ⑨⑦  ×2 M10×2 3/4"
 - ⑨④  ×1 M10×2"
 - ⑨③  ×2 M10×1 3/4"
- ⑩⑦   ×10 Φ 3/4"
 - ⑩⑩   ×4 M10



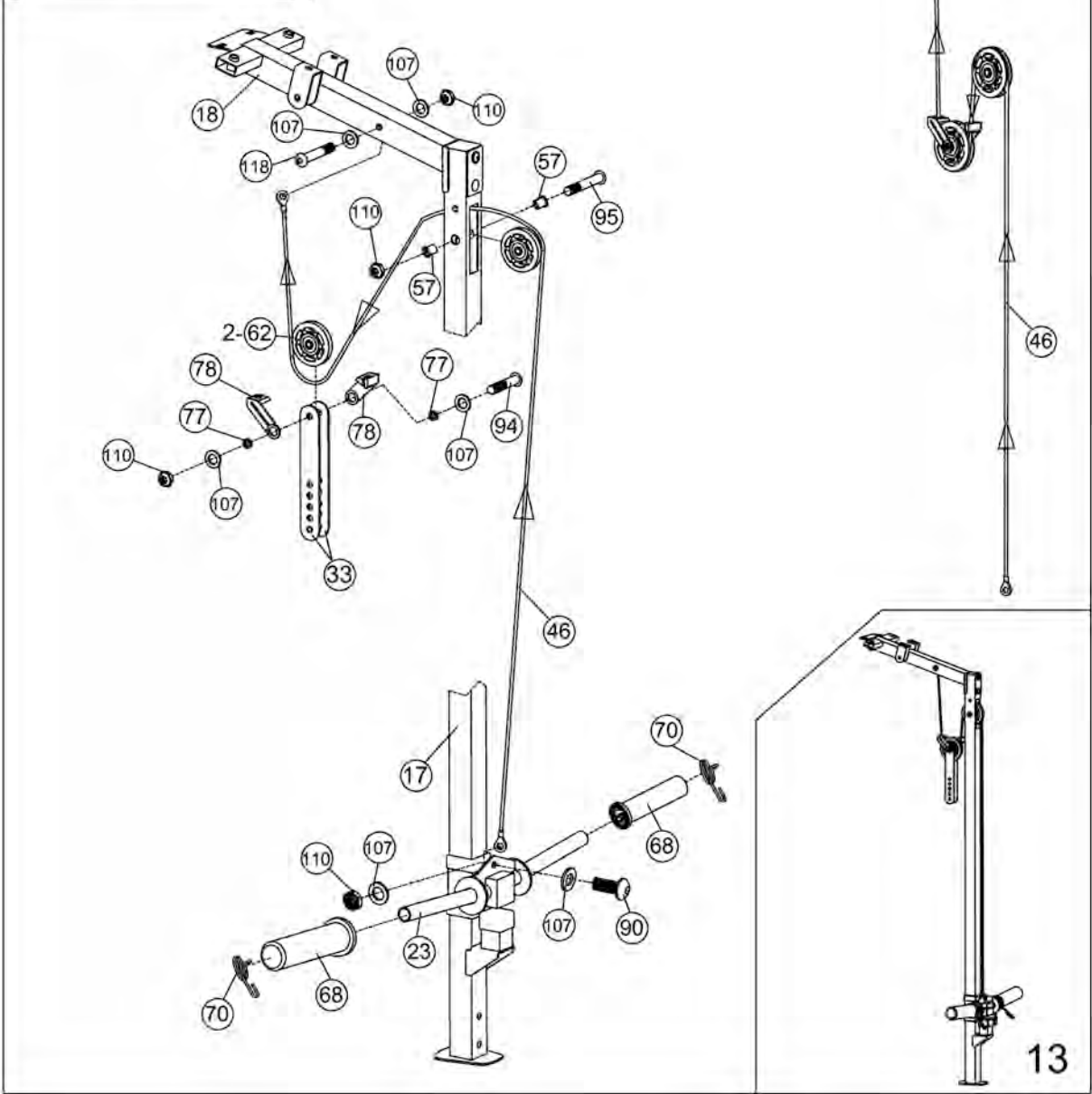
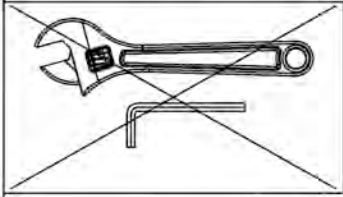
12-A

| | | | | | | | | |
|-------|---|----|------------|---------|---|---|---|--------|
| (97) |  | ×2 | M10×2 3/4" | (106) |  | × | 6 | Φ 5/8" |
| (93) |  | ×1 | M10×1 3/4" | (107) |  | × | 6 | Φ 3/4" |
| (102) |  | ×1 | M8×1 5/8" | (109) |  | × | 1 | M8 |
| (92) |  | ×1 | M10×1 1/8" | (110) |  | × | 4 | M10 |
| (101) |  | × | 4 | M8×3/8" | | | | |

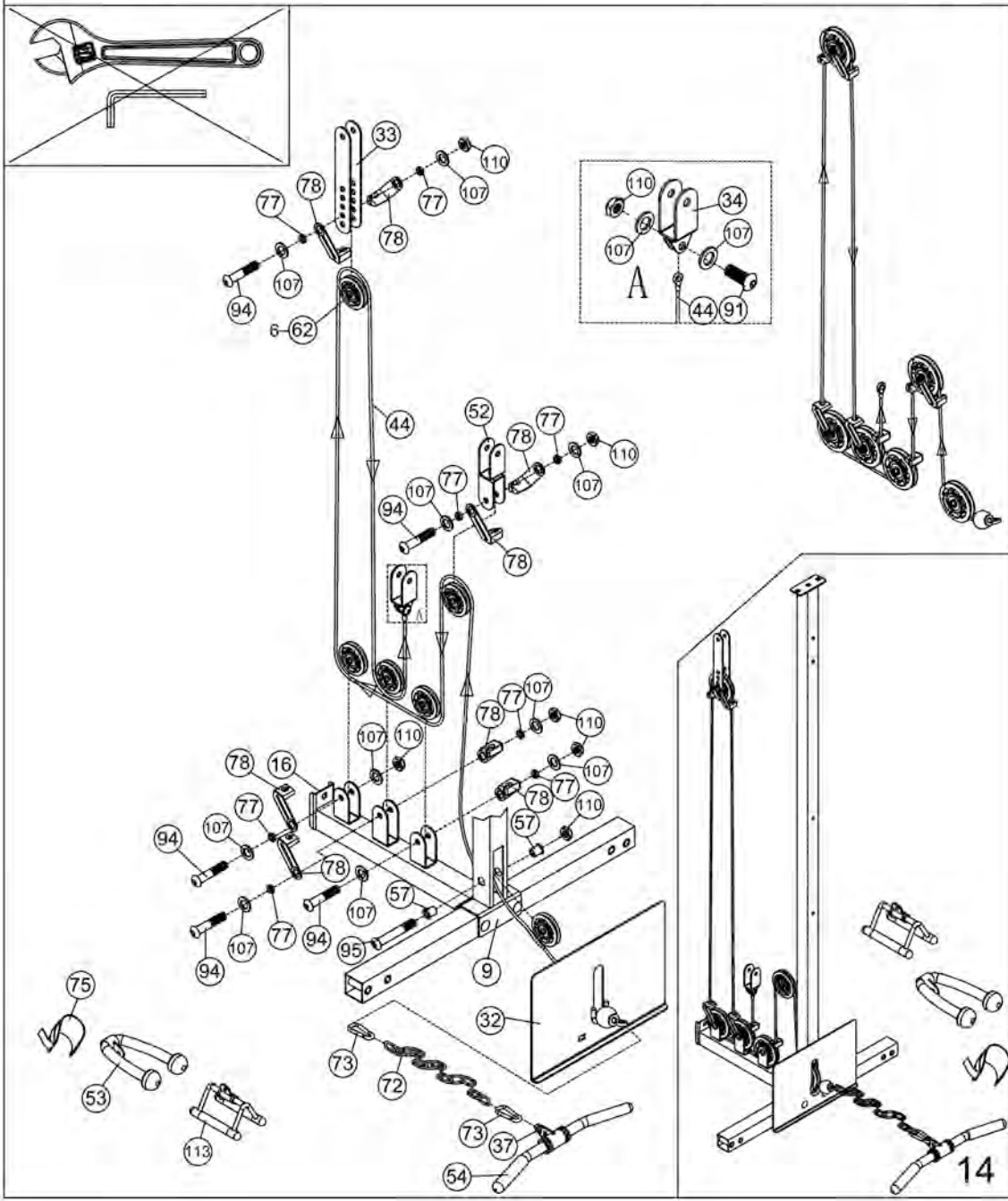


12-B

| | | | | | | | |
|-----|--|----|--------------|-----|--|----|------------|
| 95 | | x1 | M10 x 2 1/2" | 90 | | x1 | M10 x 3/4" |
| 118 | | x1 | M10 x 2 3/8" | 107 | | x6 | Φ 3/4" |
| 94 | | x1 | M10 x 2" | 110 | | x4 | M10 |
| 57 | | x2 | Φ 1" x 1/2" | 46 | | x1 | 97" |



| | | | | | | | |
|----|--|----|-------------|-----|--|-----|--------|
| 95 | | x1 | M10x 2 1/2" | 107 | | x12 | Φ 3/4" |
| 94 | | x5 | M10x 2" | 110 | | x7 | M10 |
| 91 | | x1 | M10x 1" | 44 | | x1 | 152" |
| 57 | | x2 | Φ 1" x 1/2" | | | | |



90

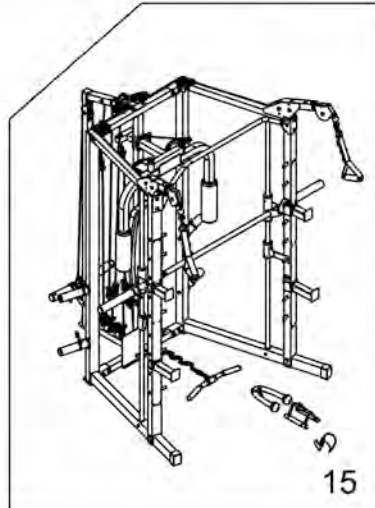
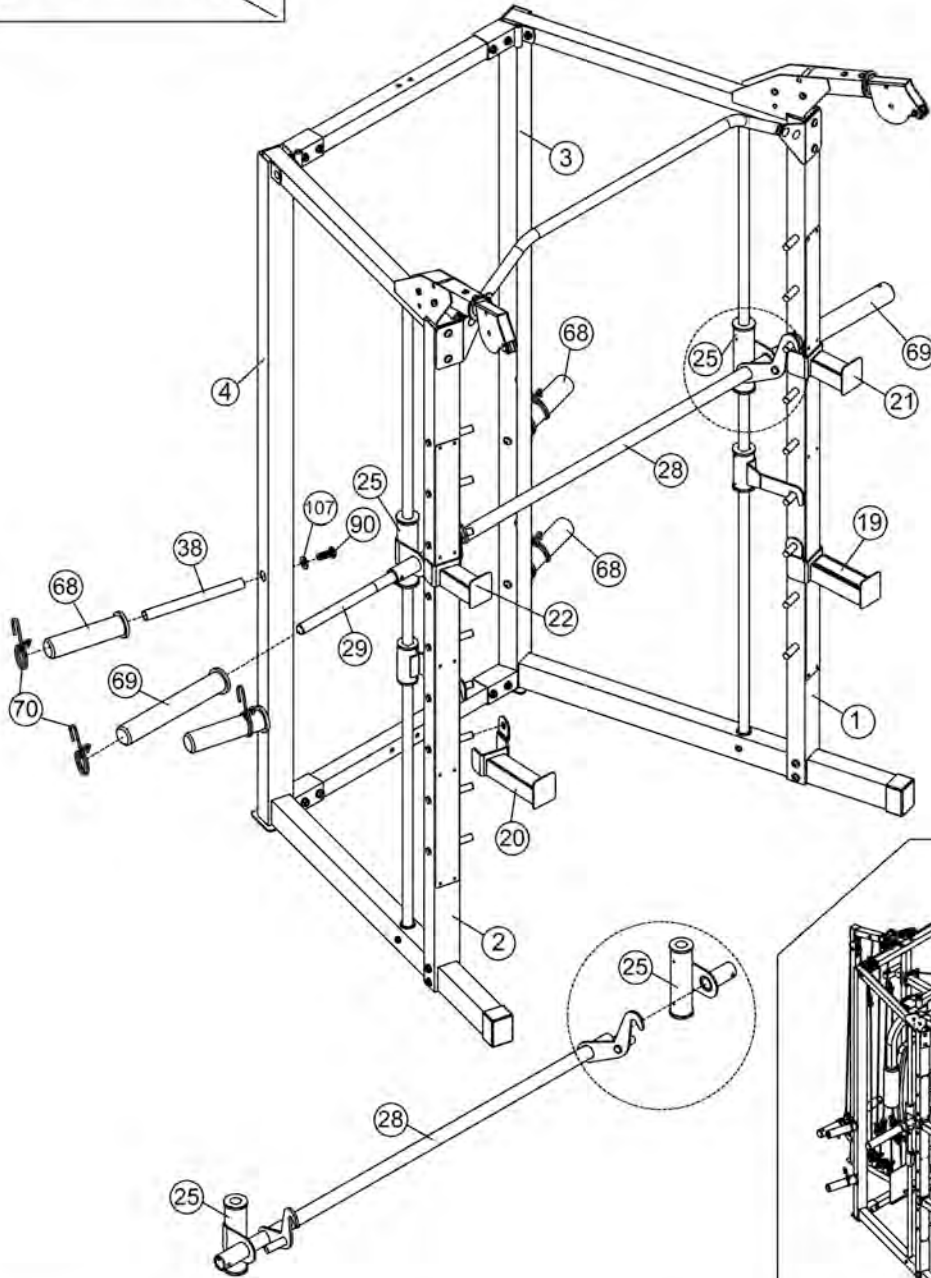
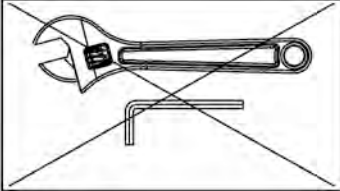


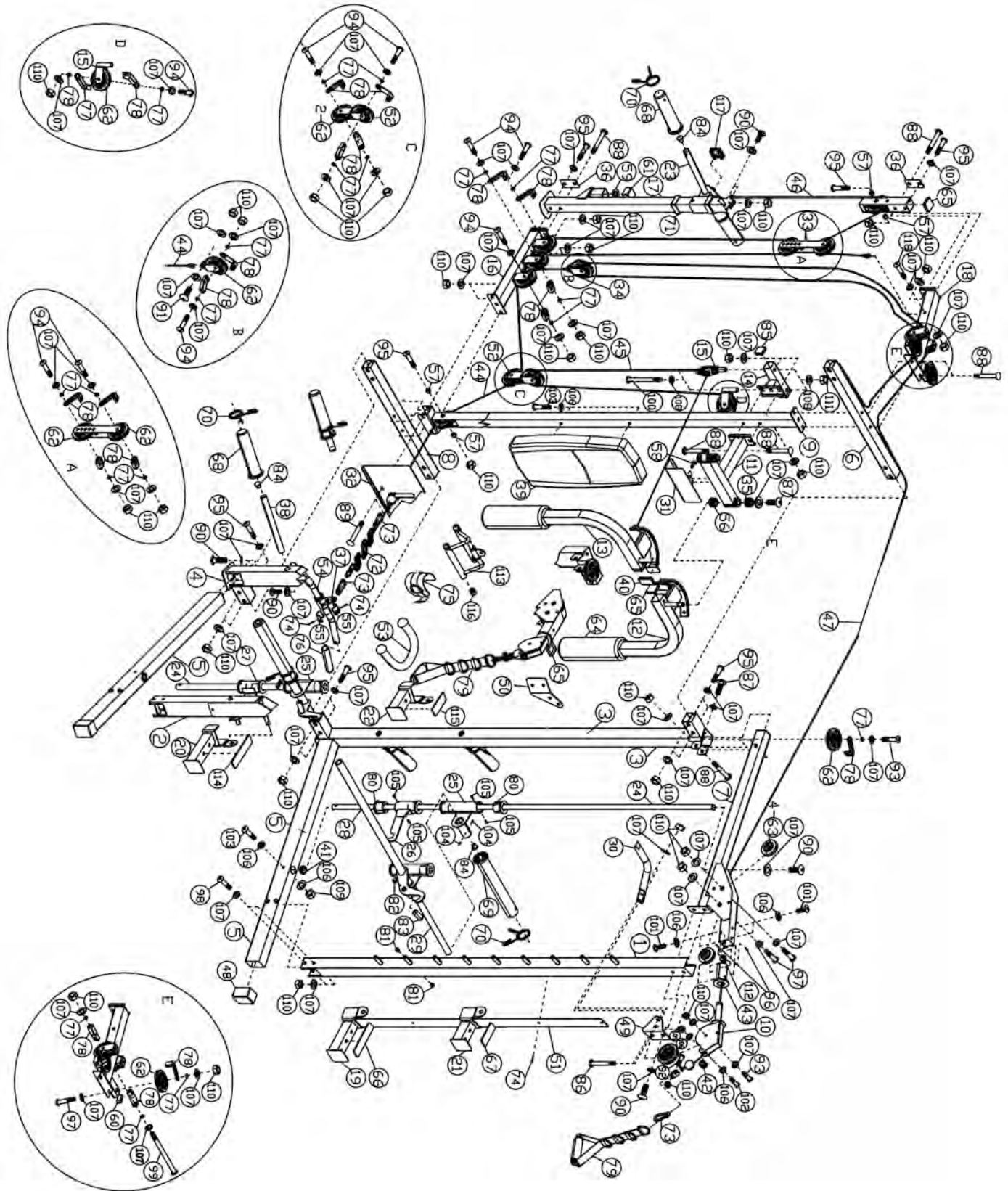
×4 M10×³/₄"

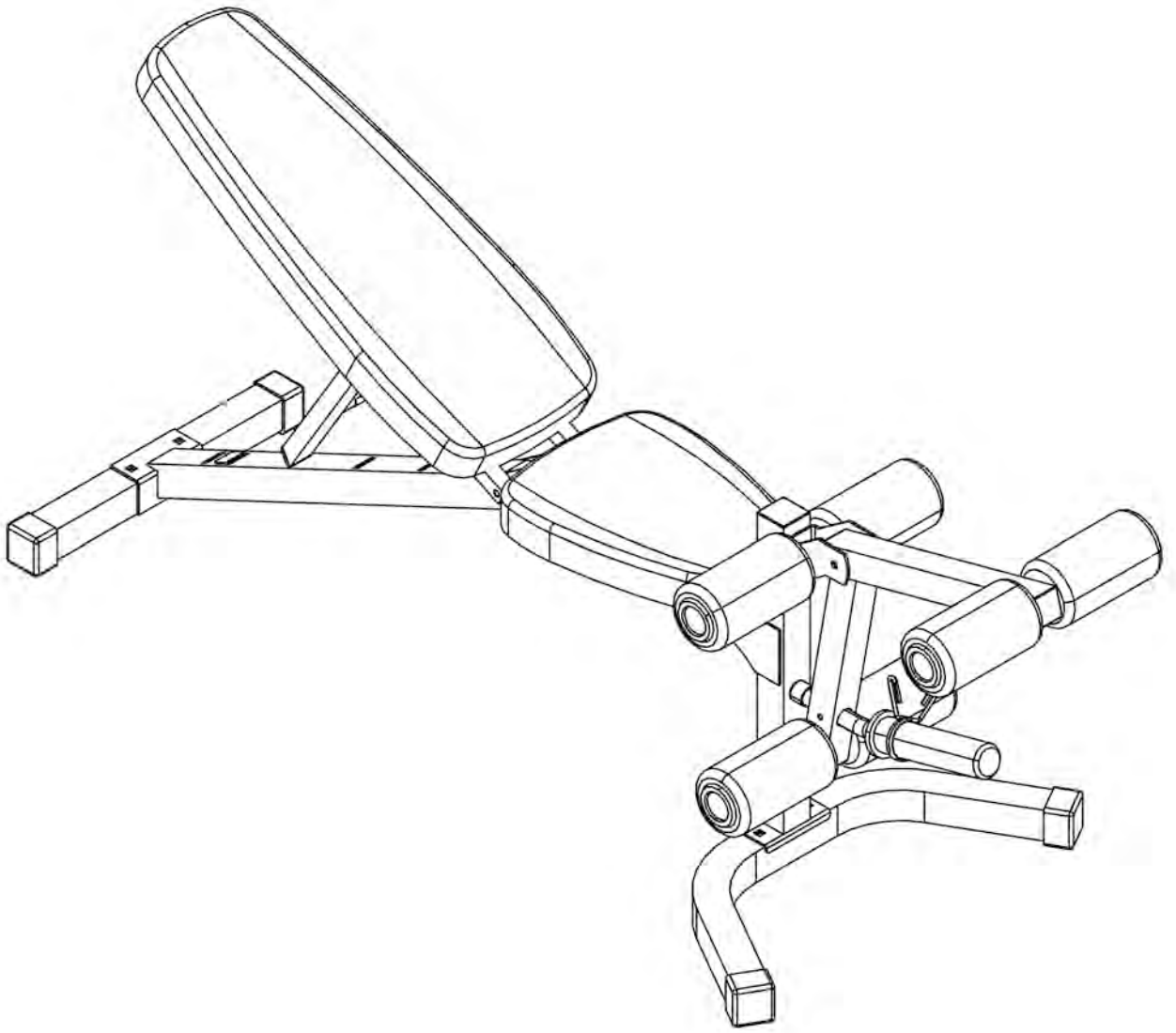
107

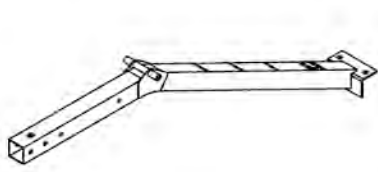


×4 Φ³/₄"

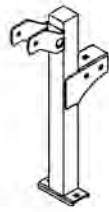




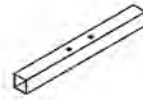




① × 1



② × 1



③ × 1



④ × 2



⑤ × 1



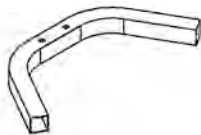
⑥ × 1



⑦ × 2



⑧ × 1



⑨ × 1



⑩ × 1



⑪ × 1



⑬ × 3



⑭ × 6



⑮ × 1



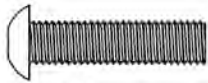
⑯ × 6



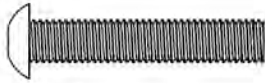
⑰ × 4



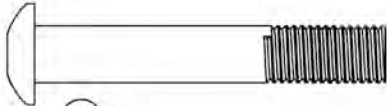
⑳ × 1



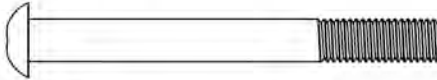
③① × 4



③② × 4



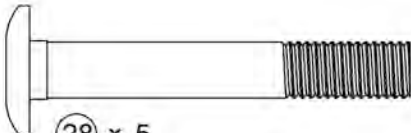
③⑦ × 1



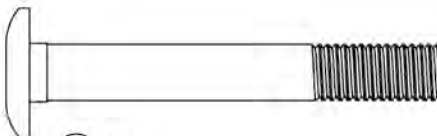
③⑦ × 2



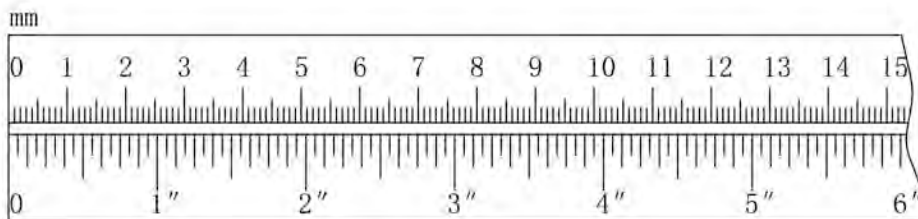
③⑨ × 1

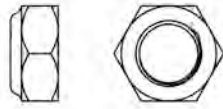


③⑧ × 5



③⑤ × 2

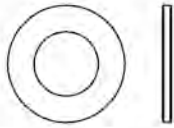




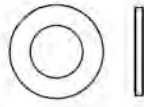
37 x 11



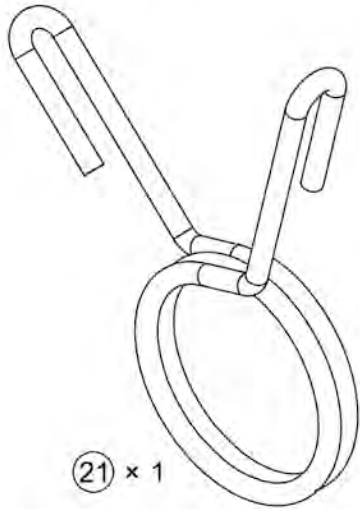
33 x 2



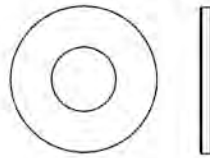
35 x 15



36 x 12



21 x 1



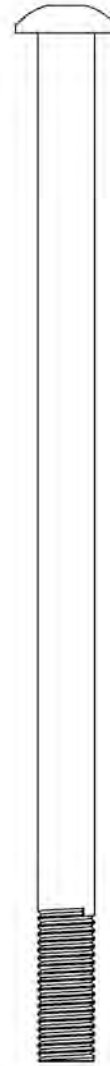
38 x 1



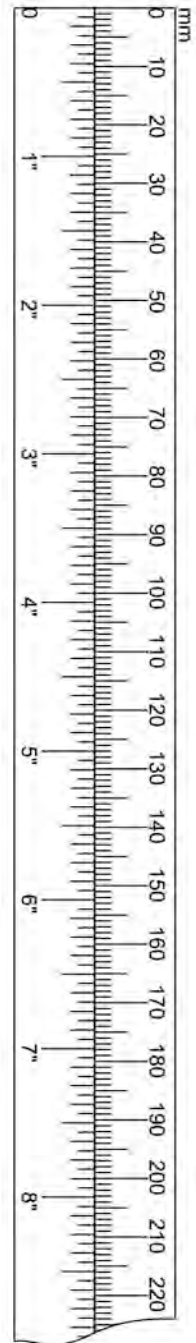
4# x 1

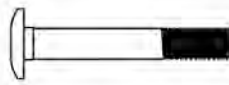
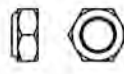

5# x 1

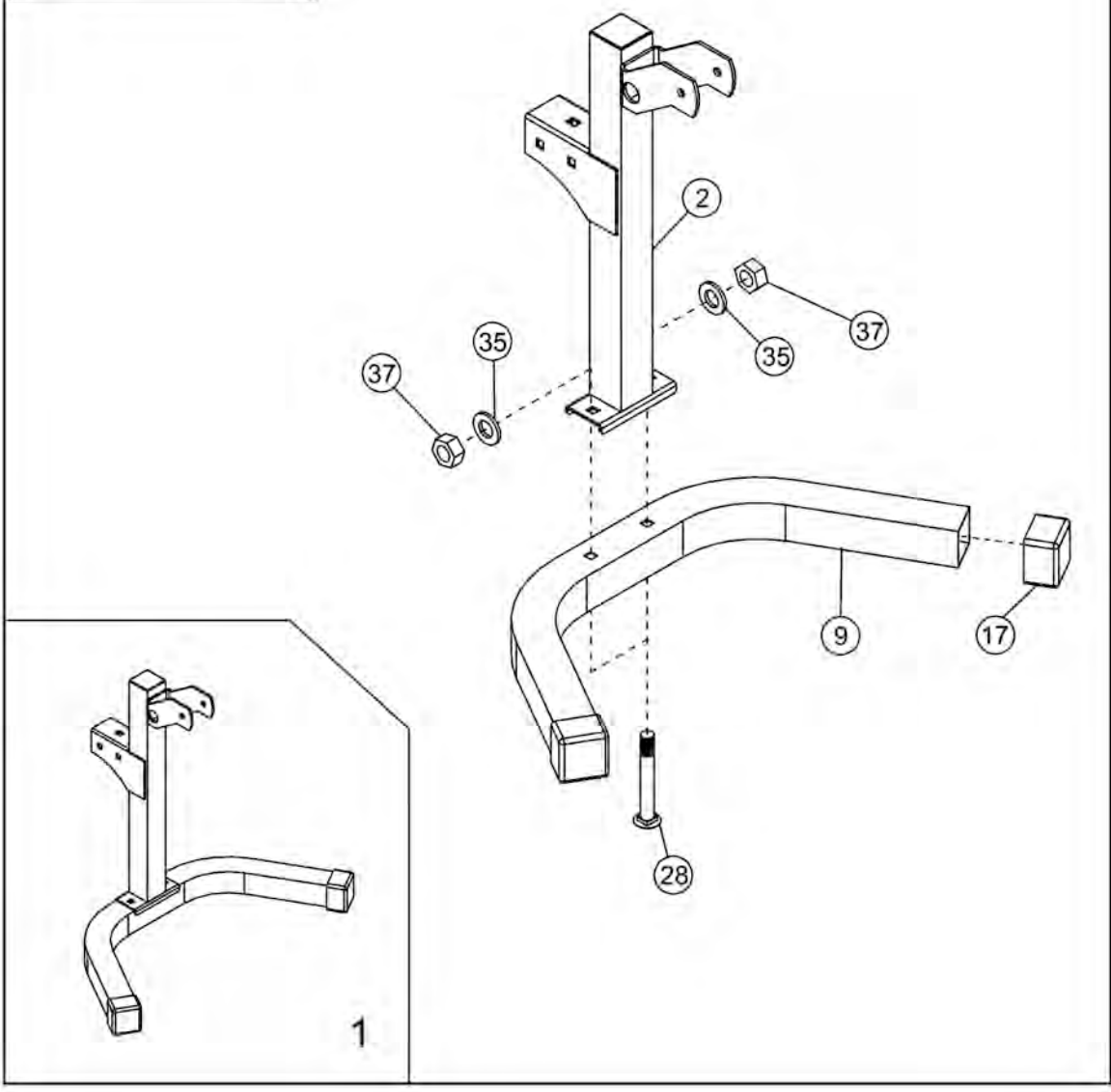
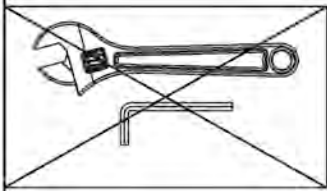
6# x 1



26 x 2



- (28)  ×2 M10×2 $\frac{1}{2}$ "
- (37)  ×2 M10
- (35)  ×2 $\Phi\frac{3}{4}$ "

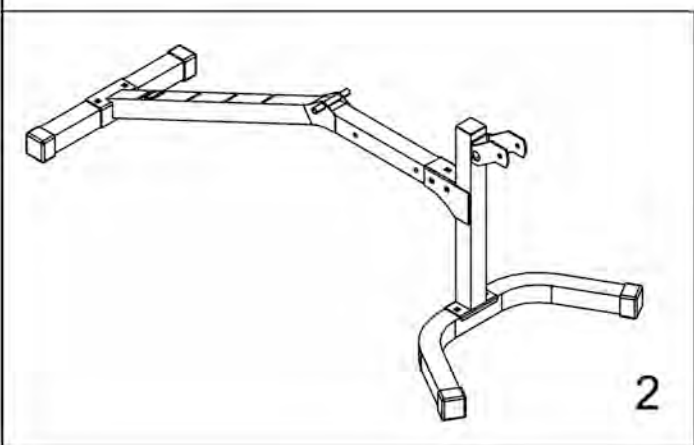
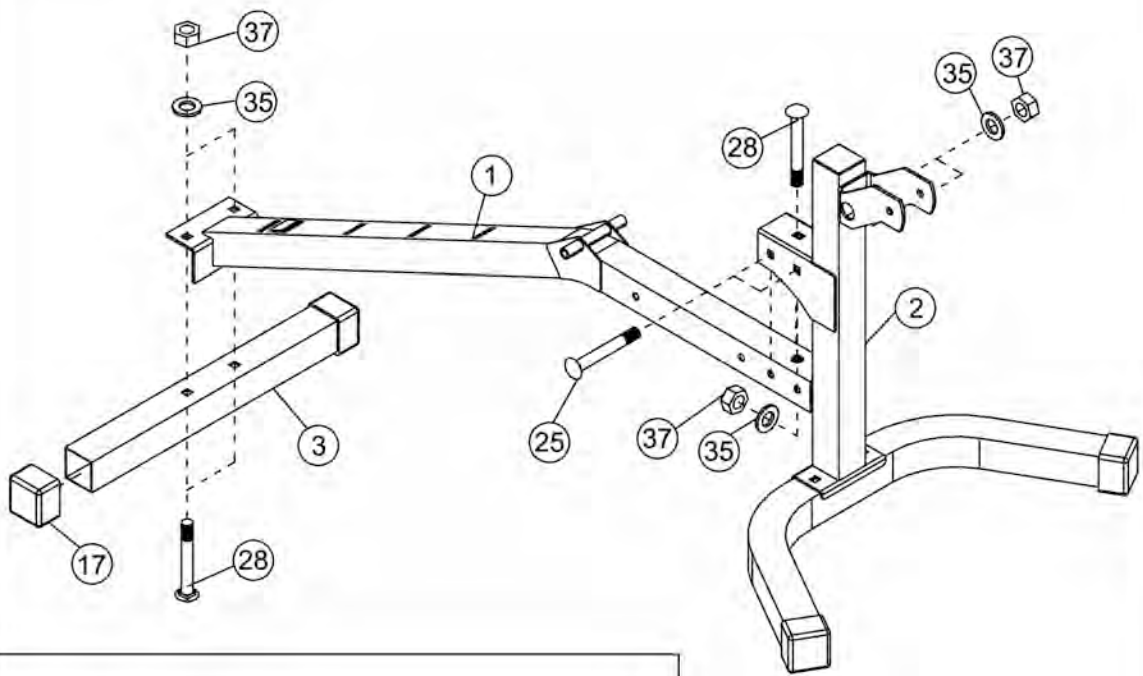
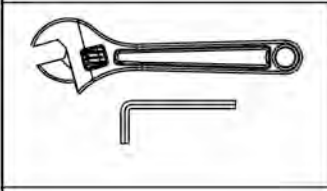


②⑧  ×3 M10×2 $\frac{1}{2}$ "

③⑤  ×5 $\Phi\frac{3}{4}$ "

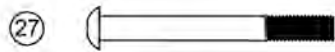
②⑤  ×2 M10×2 $\frac{3}{4}$ "

③⑦  ×5 M10





x2 M10x6 $\frac{7}{8}$ "



x2 M8x2 $\frac{3}{4}$ "



x4 Φ $\frac{3}{4}$ "



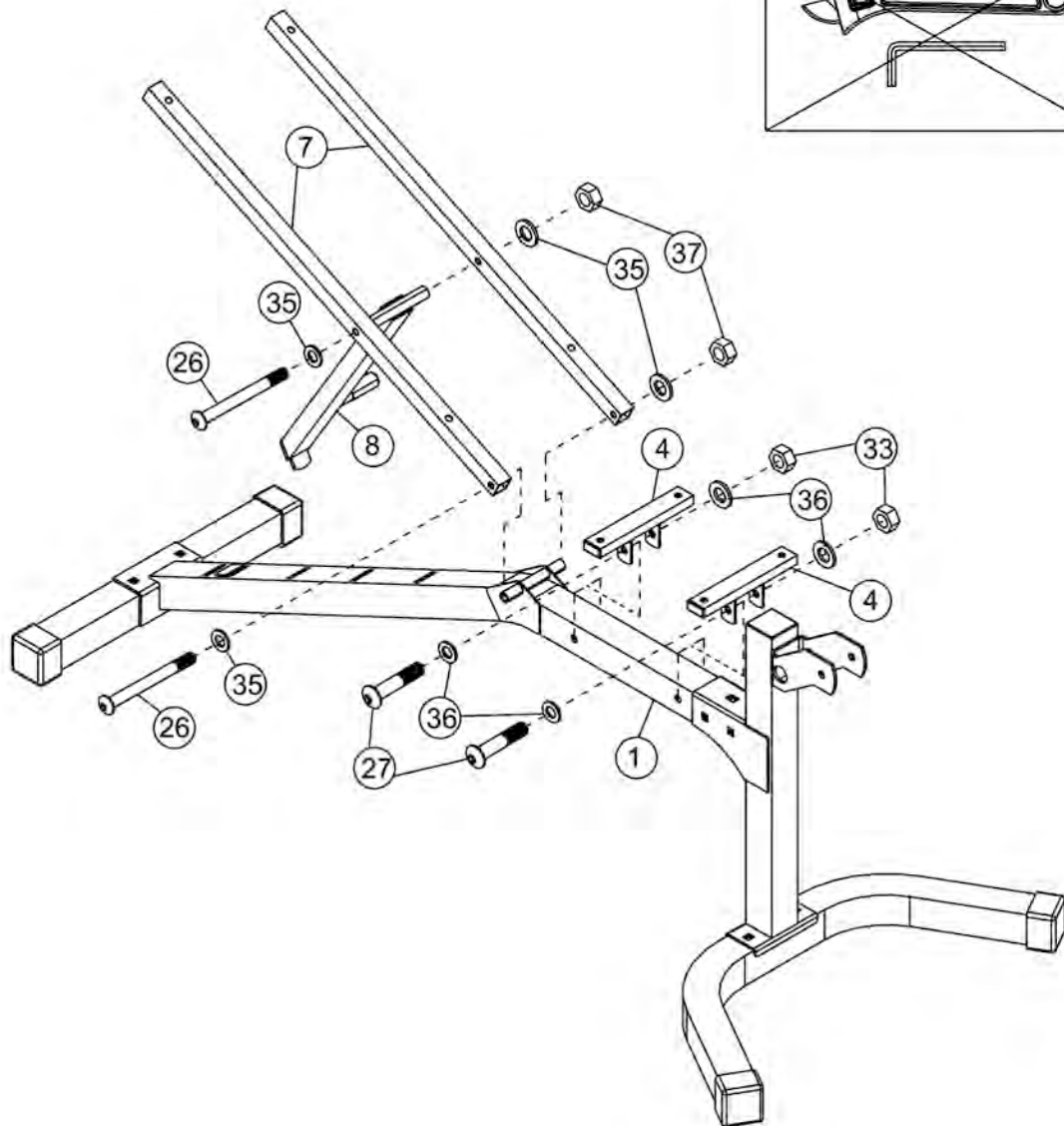
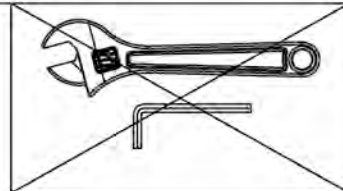
x2 M10



x4 Φ $\frac{5}{8}$ "



x2 M8

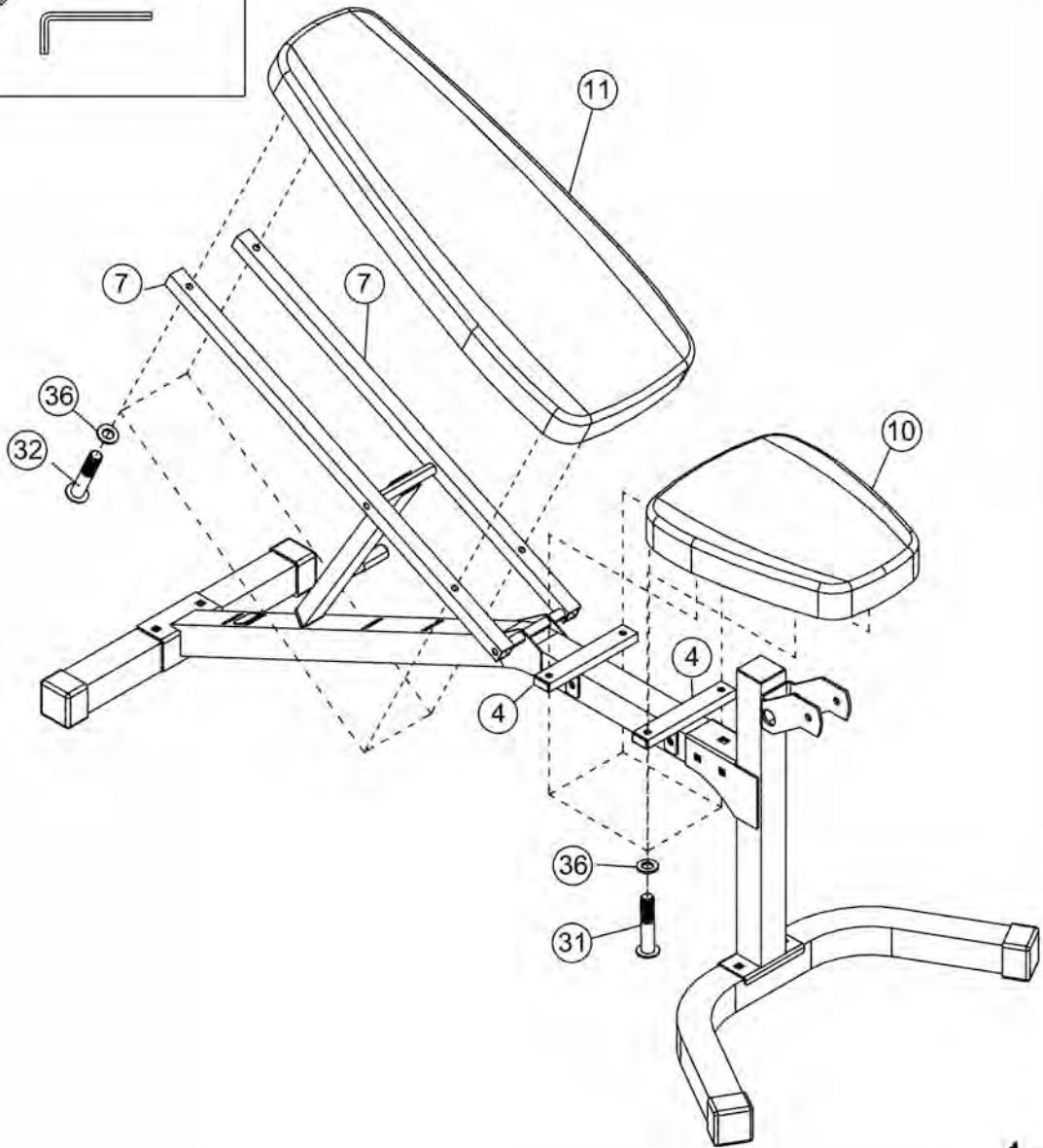


3

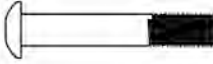

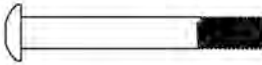


③①  x4 M8x1 1/8"

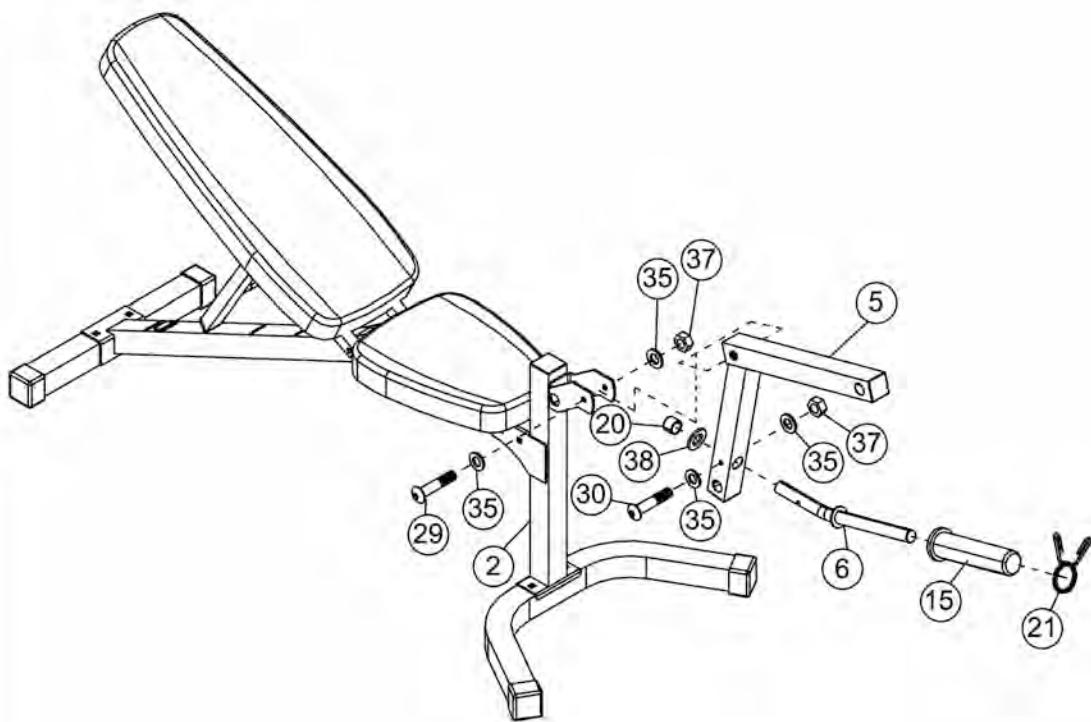
③②  x4 M8x1 5/8"

③⑥  | x8 ϕ 5/8"

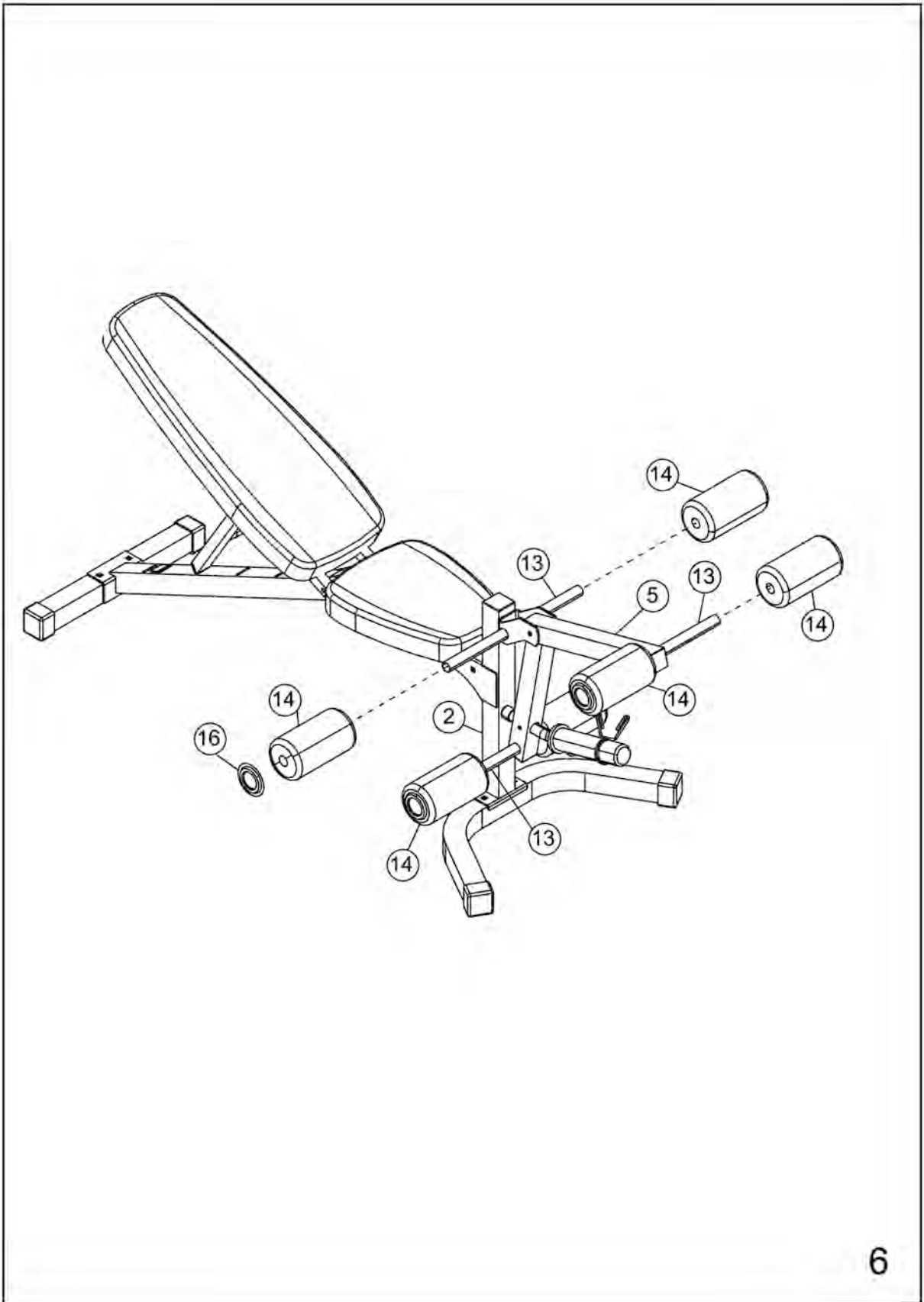


4

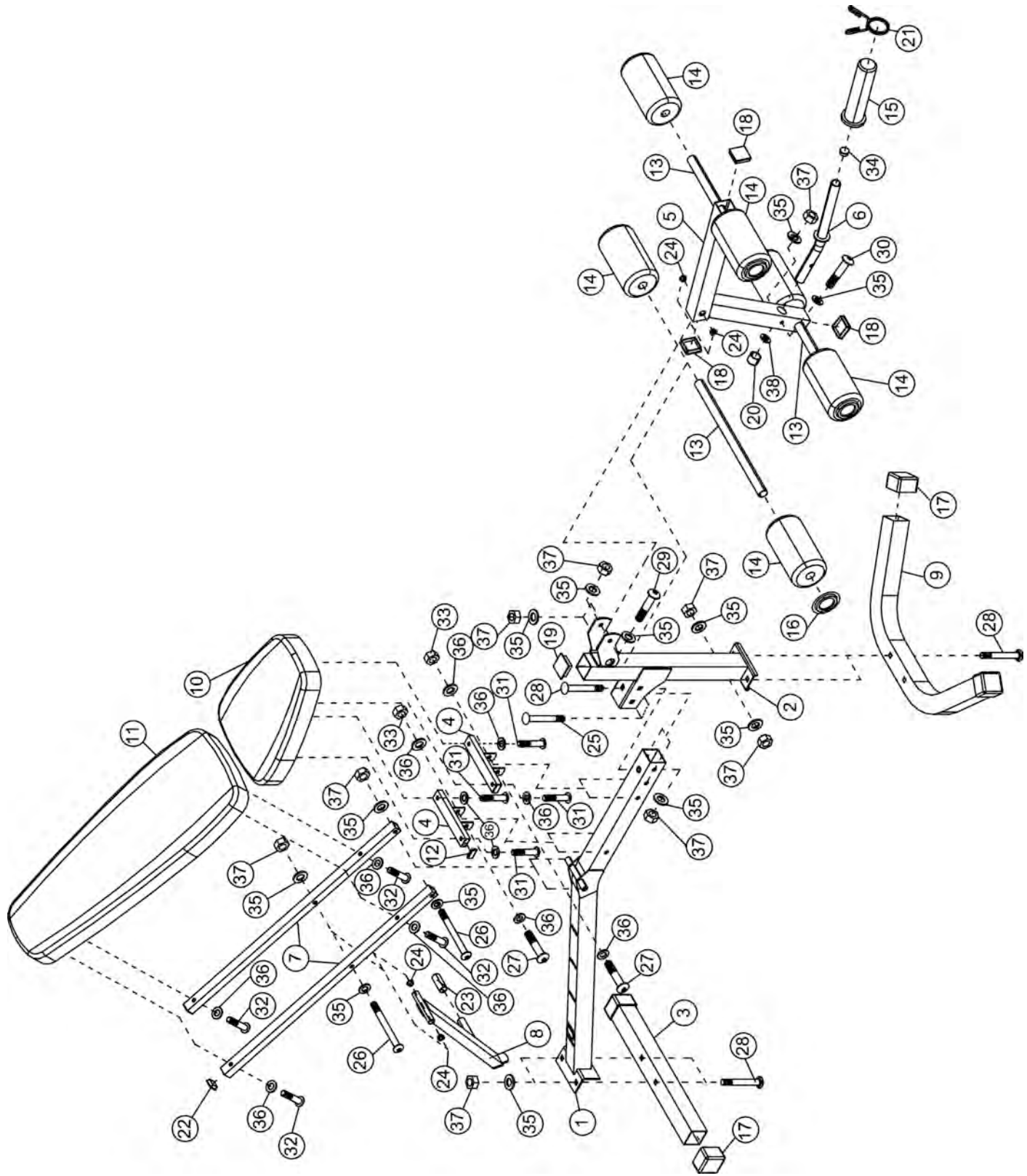
- | | | | | | |
|------|---|--------------------------|------|--|---------------------------------------|
| (30) |  | x1 M10x2 $\frac{3}{8}$ " | (38) |  | x1 $\Phi 1" \times \Phi \frac{3}{8}"$ |
| (29) |  | x1 M10x3" | (37) |  | x2 M10 |
| (35) |  | x4 $\Phi \frac{3}{4}"$ | | | |



5



6



IMPEX® INC.

2801 S. Towne Ave. Pomona, CA 91766

Tel: (800) 999-8899

www.marcypro.com

support@impex-fitness.com