

NOTE:
PLEASE READ ALL
INSTRUCTIONS CAREFULLY
BEFORE USING THIS
PRODUCT

NOTE:
VEUILLEZ LIRE LES
INSTRUCTIONS
ATTENTIVEMENT AVANT
D'UTILISER CE PRODUIT

TABLE OF CONTENTS /
TABLE DES MATIÈRES

SAFETY NOTICE /
PRÉCAUTIONS
IMPORTANTES

ASSEMBLY INSTRUCTION /
ASSEMBLAGE

PARTS LIST / LISTE DES
PIÈCES

WARRANTY / GARANTIE

ORDERING PARTS / PIÈCES
DE RECHANGE

Model / Modèle
SM-7232

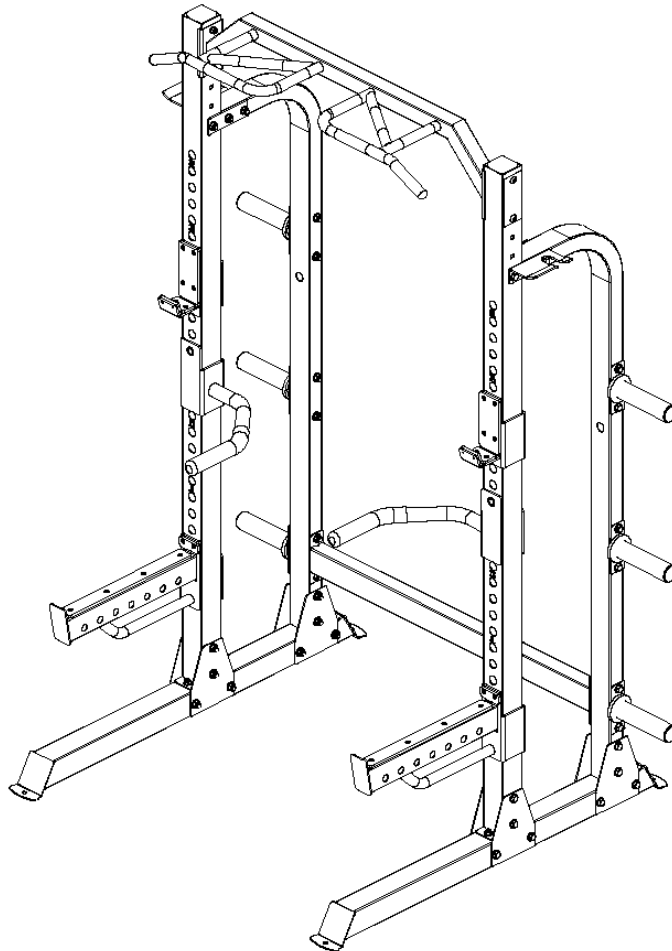
Retain This Manual for
Reference / Conserver ce
manuel comme référence

220621

ASSEMBLY & OWNER'S
MANUAL / MANUEL DU
PROPRIÉTAIRE

MARCY®

POWER RACK CAGE DE MUSCULATION SM-7232



IMPORTANT: Please read this manual before commencing assembly of this product.
ATTENTION! Veuillez lire attentivement le Manuel de l'utilisateur avant d'assembler cet appareil.

IMPEX® INC.

2801 S. Towne Ave, Pomona, CA 91766

Tel: 800-999-8899

www.marcypro.com

support@impex-fitness.com

TABLE OF CONTENTS

BEFORE YOU BEGIN	1
IMPORANT SAFETY NOTICES	2
EXERCISE GUIDELINES	3
WARNING LABEL PLACEMENT	5
FREE AND TRAINING AREA	6
IMPORTANT ASSEMBLY INSTRUCTION	7
WEIGHT CAPACITY AND DIMENSION	8
CARE AND MAINTENANCE	8
OPERATING NOTES	8
PARTS LIST	9
EXPLODED DIAGRAM	11
WARRANTY	12
ORDERING PARTS	12

BEFORE YOU BEGIN

Thank you for selecting MARCY POWER RACK SM-7232 by IMPEX® INC. For your safety and benefit, read this manual carefully before using the equipment. As a manufacturer, we are committed to providing you with complete customer satisfaction. If you have any questions, or find there are missing or damaged parts, we guarantee you complete satisfaction through direct assistance from our factory. To avoid unnecessary delays, *please call our TOLL-FREE customer service number*. Our Customer Service Agents will provide immediate assistance.

Toll-Free Customer Service Number

1-800-999-8899

Mon. – Fri. 9 a.m. – 5 p.m. PST

www.marcypro.com

support@impex-fitness.com

IMPORTANT SAFETY NOTICE

This exercise equipment is built for optimum safety. However, certain precautions apply whenever you operate a piece of exercise equipment. Be sure to read the entire manual before you assemble or operate your equipment. In particular, note the following safety precautions:

1. **Keep children and pets away from the equipment at all times. DO NOT leave children unattended in the same room with the equipment.**
2. Only one person at a time should use the equipment.
3. If the user experiences dizziness, nausea, chest pain, or any other abnormal symptoms, STOP the workout at once. CONSULT A PHYSICIAN IMMEDIATELY.
4. Position the equipment on a clear, leveled surface. DO NOT use the equipment near water or outdoors.
5. Keep hands away from all moving parts.
6. Always wear appropriate workout clothing when exercising. DO NOT wear robes or other clothing that could become caught in the equipment. Running or aerobic shoes are also required when using the equipment.
7. Use the equipment only for its intended use as described in this manual. DO NOT use attachments not recommended by the manufacturer.
8. Do not place any sharp object around the equipment.
9. Disabled persons should not use the equipment.
10. Before using the equipment to exercise, always do stretching exercises to properly warm up.
11. Never operate the equipment if the equipment is not functioning properly.
12. A spotter is recommended during exercise.
13. **This equipment is designed and intended for home and consumer use only, not for commercial use.**

WARNING: BEFORE BEGINNING ANY EXERCISE PROGRAM, CONSULT YOUR PHYSICIAN. THIS IS ESPECIALLY IMPORTANT FOR INDIVIDUALS OVER THE AGE OF 35 OR PERSONS WITH PRE-EXISTING HEALTH PROBLEMS. READ ALL INSTRUCTIONS BEFORE USING ANY FITNESS EQUIPMENT. IMPEX INC. ASSUMES NO RESPONSIBILITY FOR PERSONAL INJURY OR PROPERTY DAMAGE SUSTAINED BY OR THROUGH THE USE OF THIS PRODUCT.

SAVE THESE INSTRUCTIONS.

EXERCISE GUIDELINES

Building Muscle and Gaining Weight

Unlike aerobic exercise, which emphasizes endurance training, anaerobic exercise focuses on strength training. A gradual weight gain can occur while building the size and strength of muscles. While developing muscle mass, your body adapts to the stress placed upon it. You can modify your diet to include foods such as meat, fish and vegetables. These foods help muscles recover and replenish important nutrients after a strenuous workout.

Muscle Strength and Endurance

To achieve the greatest benefit from exercise, it is important to develop an exercise program that allows you to work all of the major muscle groups equally.

To increase muscle strength, follow this principle:

Increasing resistance and maintaining the number of repetitions of an exercise results in increased muscle strength.

To tone your body, follow this principle: Decreasing resistance plus increasing the number of repetitions of an exercise results in increased body tone.

Once you feel comfortable with an exercise, you can change the resistance, the number of repetitions, or the speed at which you do the exercise. It is not necessary to change all three variables. For example, let's say that you are training at 23 kg (50 lb.) and performing the exercise 10 times in 3 minutes. When this becomes too easy, you may decide to move up to lifting 27 kg (60 lb.) for the same number of repetitions in the same amount of time. Lifting more weights fewer times most often develops muscle strength. To gain both muscle strength and endurance, it is recommended that you perform each exercise 15 to 20 reps per set.

Training Intensity

How hard you begin to train depends on your overall level of fitness. The soreness you experienced can be lessened by decreasing the load you place on your muscles and by performing fewer sets. To avoid injury, you should gradually work into an exercise program and set the load to your individual fitness level. The load should increase as your fitness level increases.

Muscle soreness is common, especially when you first start exercising. If you are painfully sore for a long time, it may be time to change your program. Eventually, your muscle system will become accustomed to the stress and strain placed on it.

Beginning a Strength Building Program

Warming Up

To begin strength training, it is important to stretch and perform light exercise for 5 to 10 minutes. This helps prepare the body for more strenuous exercise by increasing circulation, raising your body temperature and developing more oxygen to your muscles.

Workout

For each workout, to keep in mind that muscle soreness that lasts for a long period is not desirable and may mean that injury has occurred.

Cool Down

At the end of each workout, perform slow stretching exercises for 5 to 10 minutes. Ease into each stretch only going as far as you can. This stage allows your muscles to wind down after training.

To provide a total workout program it is also recommended that 2 to 3 days of aerobic exercise is performed in addition to the strength training.

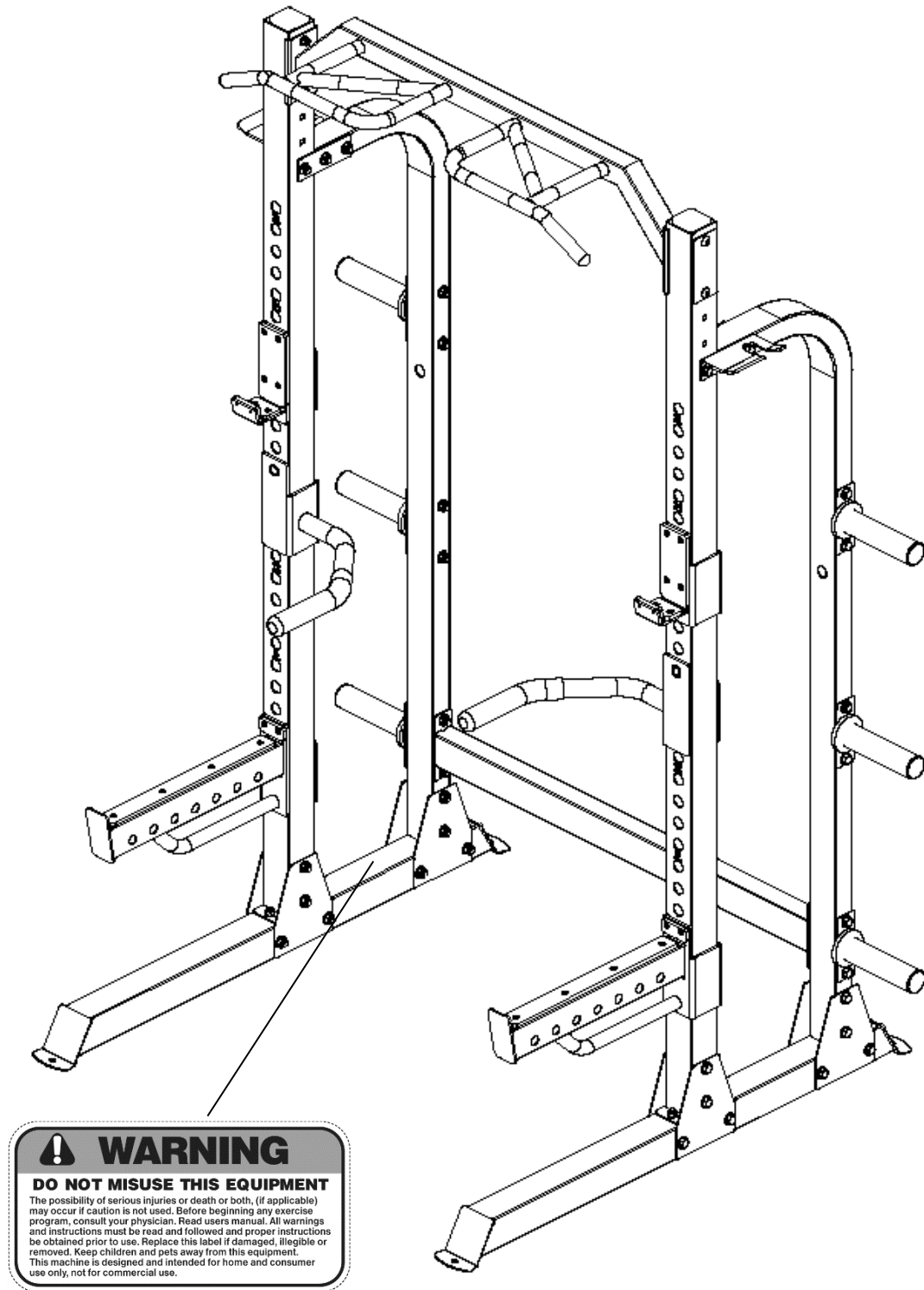
Drinking Water

For the body to function properly, it must be properly hydrated. If you are exercising, you should increase your fluid intake. The reason for this is that the water you take in will leave your system through the sweating mechanism that cools your body during exercise. The water you lose through exercise must be replaced so that the muscles can recover properly.

Rest Day

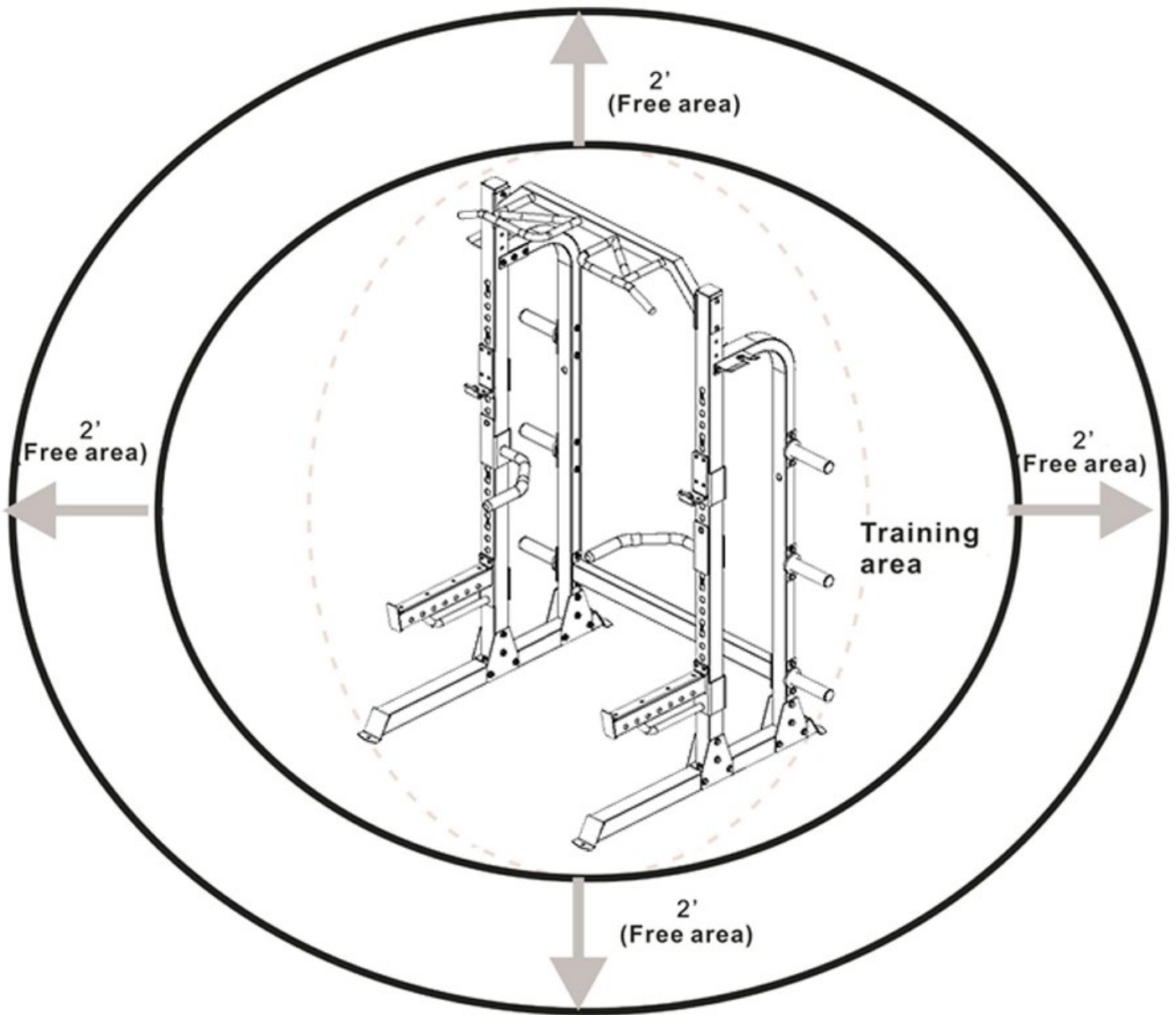
Although you may not feel like doing it, taking a rest day at least once a week is important because it gives your body a chance to heal itself. Continuously working your muscles will result in over-training, which will not benefit you in the long run.

WARNING LABEL PLACEMENT



The warning labels shown here have been placed on the Base Frame. If the labels are missing or illegible, please call customer service at 1-800-999-8899 for replacements. Apply the labels in the location shown.

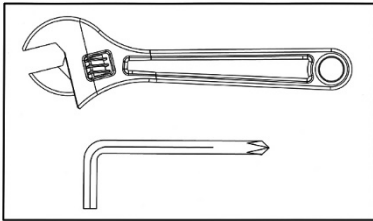
FREE AND TRAINING AREA



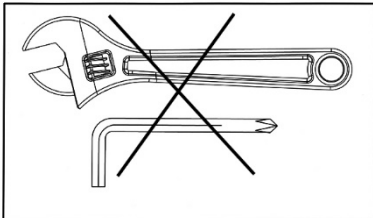
IMPORTANT ASSEMBLY INFORMATION

- ❖ Tools required for assembling the bench: Two adjustable Wrenches and Allen wrenches.
- ❖ NOTE: It is strongly recommended that this equipment be assembled by two or more people to avoid possible injury.
- ❖ Ensure **Carriage Bolts** are inserted through the **SQUARE holes** on components that need to be assembled. Attach washer only to end of the Carriage Bolt.
- ❖ Use **Allen Bolts or Hex Bolts** inserted through the **ROUND hole** on components that need to be assembled.
- ❖ Always wait until all bolts are assembled onto the bench before tightening the bolts. Do not tighten each bolt right after it is installed

Fasten Nuts and Bolts



Securely tighten all nuts and bolts after all components have been assembled in current and previous steps.
NOTE: Do not over-tighten any component with pivoting function.
Make sure all pivoting components are able to move freely.



Do not tighten all nuts and bolts in this step.

WEIGHT CAPACITY AND DIMENSION

1. Maximum user weight: 300 lbs.
2. Maximum weight on Bar Catches: 300 lbs
3. Cage assembled dimensions: 64.7"x51"x87"

CARE AND MAINTENANCE

1. Lubricate moving parts with WD-40 or light oil periodically.
2. Inspect and tighten all parts before using the equipment.
3. The equipment can be cleaned using a damp cloth and mild non-abrasive detergent.
DO NOT use solvents.
4. Examine the equipment regularly for signs of damage or wear.
5. Replace any defective components immediately and/or keep the equipment out of use until repair.
6. **Failure to examine regularly may affect the safety level of the equipment.**

OPERATION NOTES

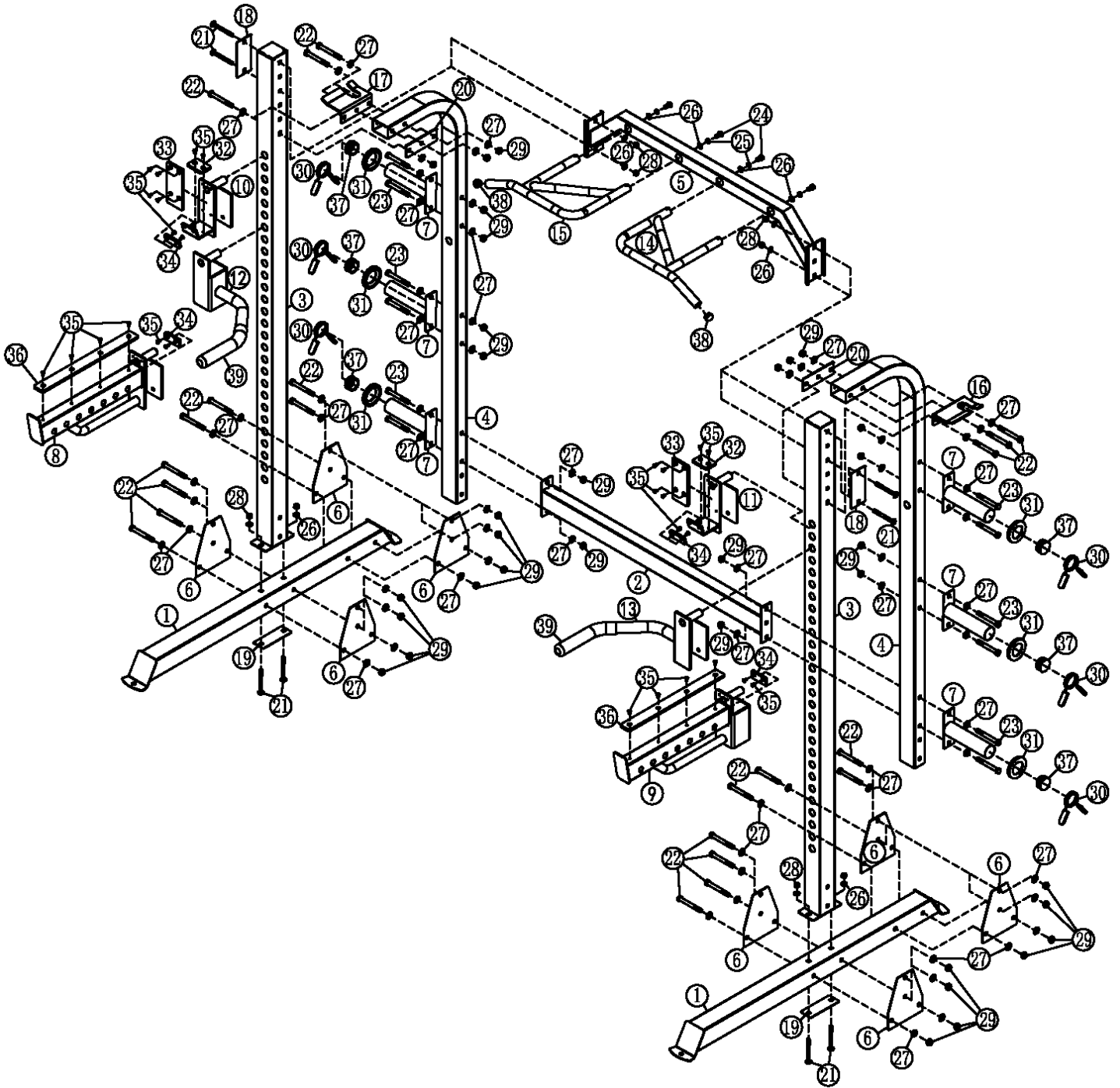
Ensure the Bar Catches and Safety Catches are safely installed to Upright before placing Barbell on the catches.

SM-7232 PARTS LIST

Part #	Description	Qty
01	Base Frame	2
02	Rear Cross Brace	1
03	Front Upright	2
04	Rear Upright	2
05	Upper Frame	1
06	Bracket	8
07	Olympic Storage Post	6
08	Right Safety Catch	1
09	Left Safety Catch	1
10	Right Bar Catch	1
11	Left Bar Catch	1
12	Left Dip Handle	1
13	Right Dip Handle	1
14	Left Pull Up Handle	1
15	Right Pull Up Handle	1
16	Left Barbell Storage	1
17	Right Barbell Storage	1
18	Bracket	2
19	Bracket	2
20	Bracket	2
21	Carriage Bolt M10 x 3 ³ / ₄ "	8
22	Hex Bolt M12 x 4"	26
23	Hex Bolt M12 x 3 ³ / ₄ "	8
24	Hex Bolt M10 x 1"	4
25	Locking Washer M10	4
26	Washer Ø ³ / ₄ "	12
27	Washer Ø1"	68
28	Aircraft Nut M10	8
29	Aircraft Nut M12	34
30	Spring Collar	6
31	Rubber Bumper	6
32	Rubber Bumper	2
33	Rubber Bumper	2
34	Rubber Bumper	4
35	Allen Bolt M6 x 1/2"	28

36	Rubber Bumper	2
37	End Cap	6
38	End Cap	2
39	Grip	2

SM-7232 EXPLODED DIAGRAM



IMPEX® INC.

LIMITED WARRANTY

IMPEX Inc. ("IMPEX®") warrants this product to be free from defects in workmanship and material, under normal use and service conditions, for a period of two years on the Frame from the date of purchase. This warranty extends only to the original purchaser. IMPEX's obligation under this Warranty is limited to replacing or repairing, at IMPEX's option.

All returns must be pre-authorized by IMPEX. Pre-authorization may be obtained by calling IMPEX Customer Service Department at 1-800-999-8899. All freights on products returned to IMPEX must be prepaid by the customer. This warranty does not extend to any product or damage to a product caused by or attributable to freight damage, abuse, misuse, improper or abnormal usage or repairs not provided by an IMPEX authorized service center or for products used for commercial or rental purposes. No other warranty beyond that specifically set forth above is authorized by IMPEX.

IMPEX is not responsible or liable for indirect, special or consequential damages arising out of or in connection with the use or performance of the product or other damages with respect to any economic loss, loss of property, loss of revenues or profits, loss of enjoyments or use, costs of removal, installation or other consequential damages or whatsoever natures. Some states/provinces do not allow the exclusion or limitation of incidental or consequential damages. Accordingly, the above limitation may not apply to you.

The warranty extended hereunder is in lieu of any and all other warranties and any implied warranties of merchantability or fitness for a particular purpose is limited in its scope and duration to the terms set forth herein. Some states/provinces do not allow limitations on how long an implied warranty lasts. Accordingly, the above limitation may not apply to you.

This warranty gives you specific legal right. You may also have other rights which vary from states/provinces to states/provinces.

AUSTRALIA: Our goods come with guarantees that cannot be excluded under the Australian Consumer Law. You are entitled to a replacement or refund for a major failure and for compensation for any other reasonably foreseeable loss or damage. You are also entitled to have the goods repaired or replaced if the goods fail to be of acceptable quality and the failure does not amount to a major failure.

Register on-line at www.marcypro.com

**IMPEX® INC.
2801 S. Towne Ave.
Pomona, CA 91766**

ORDERING REPLACEMENT PARTS

Replacement parts can be ordered by calling our Customer Service Department toll-free at **1-800-999-8899** during our regular business hours: Monday through Friday, 9 am until 5 pm Pacific standard time.

support@impex-fitness.com

When ordering replacement parts, always give the following information.

1. Model
2. Description of Parts
3. Part Number
4. Date of Purchase

TABLE DES MATIÈRES

AVANT DE COMMENCER	13
AVIS IMPORTANTS SUR LA SÉCURITÉ	14
GUIDE D'EXERCICE	15
EMPLACEMENT DE L'ÉTIQUETTE DE MISE EN GARDE	17
ESPACE LIBRE ET ESPACE D'ENTRAÎNEMENT	18
INSTRUCTIONS D'ASSEMBLAGE IMPORTANTES	19
ENTRETIEN ET ENTREPOSAGE	20
CAPACITÉ DE POIDS ET DIMENSIONS	20
NOTES D'UTILISATION	20
LISTE DES PIÈCES	21
VUE ÉCLATÉE	23
GARANTIE	24
COMMANDER DES PIÈCES	24

AVANT DE COMMENCER

Merci d'avoir choisi le MARCY Cage de musculation SM-7232 d'IMPEX® INC. Afin d'assurer votre sécurité et de tirer le maximum de ce produit, veuillez lire ce guide attentivement avant d'utiliser l'appareil. En tant que fabricant, nous nous engageons à garantir votre entière satisfaction. Si vous avez des questions ou si certaines pièces manquent ou sont endommagées, notre Service à la clientèle à l'usine garantira votre entière satisfaction. Afin d'éviter les délais, *veuillez téléphoner à notre Service à la clientèle au NUMÉRO SANS FRAIS ci-dessous*. Nos agents se feront un plaisir de vous aider immédiatement.

Numéro sans frais du Service à la clientèle
1-800-999-8899 (anglais)
lundi au vendredi : 9 h à 17 h HNP
www.marcypro.com
support@impex-fitness.com

AVIS DE SÉCURITÉ IMPORTANT

Cet appareil d'exercices a été conçu pour offrir un maximum de sécurité. Toutefois, il est important de prendre certaines précautions au moment d'utiliser tout appareil d'exercices. Lisez attentivement tout le guide avant d'assembler ou d'utiliser cet appareil. Prenez note tout particulièrement des mesures de sécurité suivantes.

1. **Tenir les enfants et les animaux domestiques loin de l'appareil en tout temps. NE JAMAIS laisser un enfant sans surveillance dans la pièce où se trouve l'appareil.**
2. L'appareil doit être utilisé par une seule personne à la fois.
3. Si l'utilisateur éprouve des étourdissements, des nausées, des douleurs à la poitrine ou tout autre symptôme anormal, il doit CESSER l'exercice aussitôt et CONSULTER UN MÉDECIN IMMÉDIATEMENT.
4. Placer l'appareil sur une surface de niveau et bien dégagée. NE PAS utiliser l'appareil près de l'eau ou à l'extérieur.
5. Garder les mains loin de toutes les pièces mobiles.
6. Toujours porter des vêtements d'entraînement appropriés pour faire de l'exercice. NE PAS porter de peignoir ou tout autre vêtement qui pourrait se coincer dans l'appareil. Le port de chaussures de sport ou aérobiques est également requis pour utiliser l'appareil.
7. N'utiliser l'appareil qu'aux fins décrites dans ce guide. NE PAS utiliser d'accessoires non recommandés par le fabricant avec ce produit.
8. Ne placer aucun objet tranchant près de l'appareil.
9. Les personnes handicapées ne devraient pas utiliser cet appareil.
10. Avant d'utiliser l'appareil, toujours faire des exercices d'étirement pour réchauffer les muscles.
11. Ne jamais utiliser l'appareil si ce dernier ne fonctionne pas correctement.
12. Il est recommandé d'utiliser l'appareil en présence d'un surveillant.
13. **Cet appareil est conçu uniquement pour l'usage domestique par les consommateurs. Il n'est pas conçu à des fins commerciales.**

ATTENTION! AVANT D'ENTREPRENDRE UN PROGRAMME D'EXERCICES, CONSULTEZ VOTRE MÉDECIN. CECI EST TOUT PARTICULIÈREMENT INDIQUÉ POUR LES PERSONNES DE 35 ANS ET PLUS OU QUI SOUFFRENT DÉJÀ DE PROBLÈMES DE SANTÉ. LIRE TOUTES LES INSTRUCTIONS ATTENTIVEMENT AVANT D'UTILISER UN APPAREIL D'EXERCICES. IMPEX INC. NE PEUT ÊTRE TENUE RESPONSABLE D'AUCUNE BLESSURE NI D'AUCUN DOMMAGE MATÉRIEL SUBI PAR OU DÉCOULANT DE L'UTILISATION DE CE PRODUIT.

VEUILLEZ CONSERVER CES INSTRUCTIONS.

INSTRUCTIONS LIÉES AUX EXERCICES

Développement des muscles et prise de poids

Contrairement à l'exercice aérobique qui met l'accent sur l'entraînement d'endurance, l'exercice anaérobique est axé sur l'entraînement en force musculaire. La prise de poids graduelle peut survenir alors que les muscles se développent et prennent de la force. Lorsque la masse musculaire se développe, le corps s'adapte au stress qui lui est imposé. Vous pouvez modifier votre alimentation en consommant de la viande, du poisson et des légumes. Ces aliments aident les muscles à récupérer et à se réapprovisionner en éléments nutritifs après une séance d'exercices rigoureux.

Force musculaire et endurance

Afin de profiter au maximum des bienfaits de l'exercice, il est important d'établir un programme d'exercices permettant de faire travailler tous les principaux groupes musculaires de manière égale.

Pour augmenter votre force musculaire, augmentez la résistance et maintenez le nombre de répétitions de l'exercice.

Pour tonifier vos muscles, réduisez la résistance et augmentez le nombre de répétitions de l'exercice.

Une fois que vous êtes à l'aise avec un exercice, vous pouvez modifier la résistance, le nombre de répétitions ou la vitesse à laquelle vous faites l'exercice. Il n'est pas nécessaire de modifier les trois variables. Par exemple, disons que vous vous entraînez avec 22 kg (50 lb) et faites l'exercice 10 fois en 3 minutes. Lorsque l'exercice devient trop facile, vous pouvez passer à 27 kg (60 lb) et faire le même nombre de répétitions dans le même temps. La force musculaire se développe lorsque les poids sont plus lourds, mais soulevés moins souvent. Si vous désirez développer votre force musculaire et votre endurance en même temps, il est recommandé de faire chaque exercice de 15 à 20 fois par série.

Intensité de l'entraînement

Au début, l'intensité de votre entraînement dépend de votre condition physique générale. L'endolorissement des muscles peut être diminué en réduisant le poids soulevé et en réduisant le nombre de séries d'exercices. Afin d'éviter les blessures, il est préférable de commencer par des exercices légers et d'établir le poids selon votre condition physique. Le poids devrait augmenter selon l'amélioration de votre condition physique.

Il est normal d'avoir les muscles endoloris, surtout au début d'un programme d'exercices. Si la douleur dure longtemps, c'est peut-être le moment de modifier le programme. Éventuellement, votre système musculaire s'accoutumera au stress et à la tension qu'il subit.

Commencer un programme de développement de la force musculaire

Échauffement

Il est important de préparer le corps à l'effort en faisant des étirements et des exercices physiques légers pendant 5 à 10 minutes. Ces exercices permettent d'augmenter la circulation sanguine, de hausser la température du corps et de fournir plus d'oxygène aux muscles.

Séance d'exercices

Pendant la séance d'exercices, il est bon de garder en tête qu'une douleur musculaire qui dure longtemps n'est pas souhaitable et peut être le signe d'une blessure.

Période de récupération

À la fin de chaque séance d'exercices, faites des étirements lents pendant 5 à 10 minutes. Étirez-vous autant que possible, sans forcer. La récupération permet aux muscles de réduire l'activité progressivement après la séance d'entraînement.

Afin de suivre un programme d'exercices complet, il est recommandé de faire des exercices aérobiques pendant 2 ou 3 jours, en plus du développement de la force musculaire.

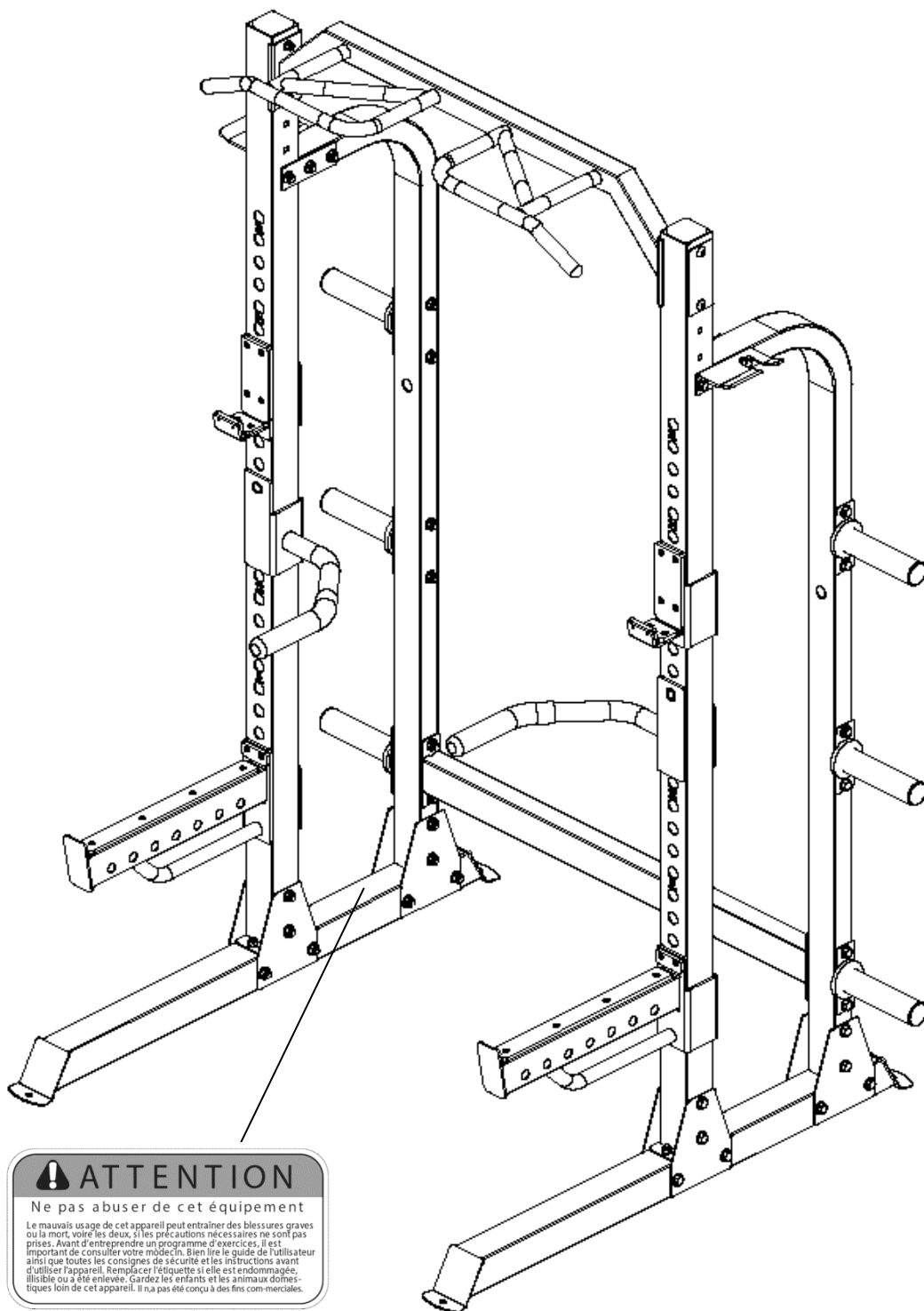
Boire de l'eau

Le corps doit être bien hydraté pour fonctionner convenablement. Si vous faites de l'exercice, vous devez augmenter votre consommation d'eau. L'eau que vous buvez sortira de votre système par la sueur qui aide à refroidir le corps pendant l'exercice. L'eau perdue pendant l'exercice doit être remplacée afin que vos muscles récupèrent de manière adéquate.

Journée de repos

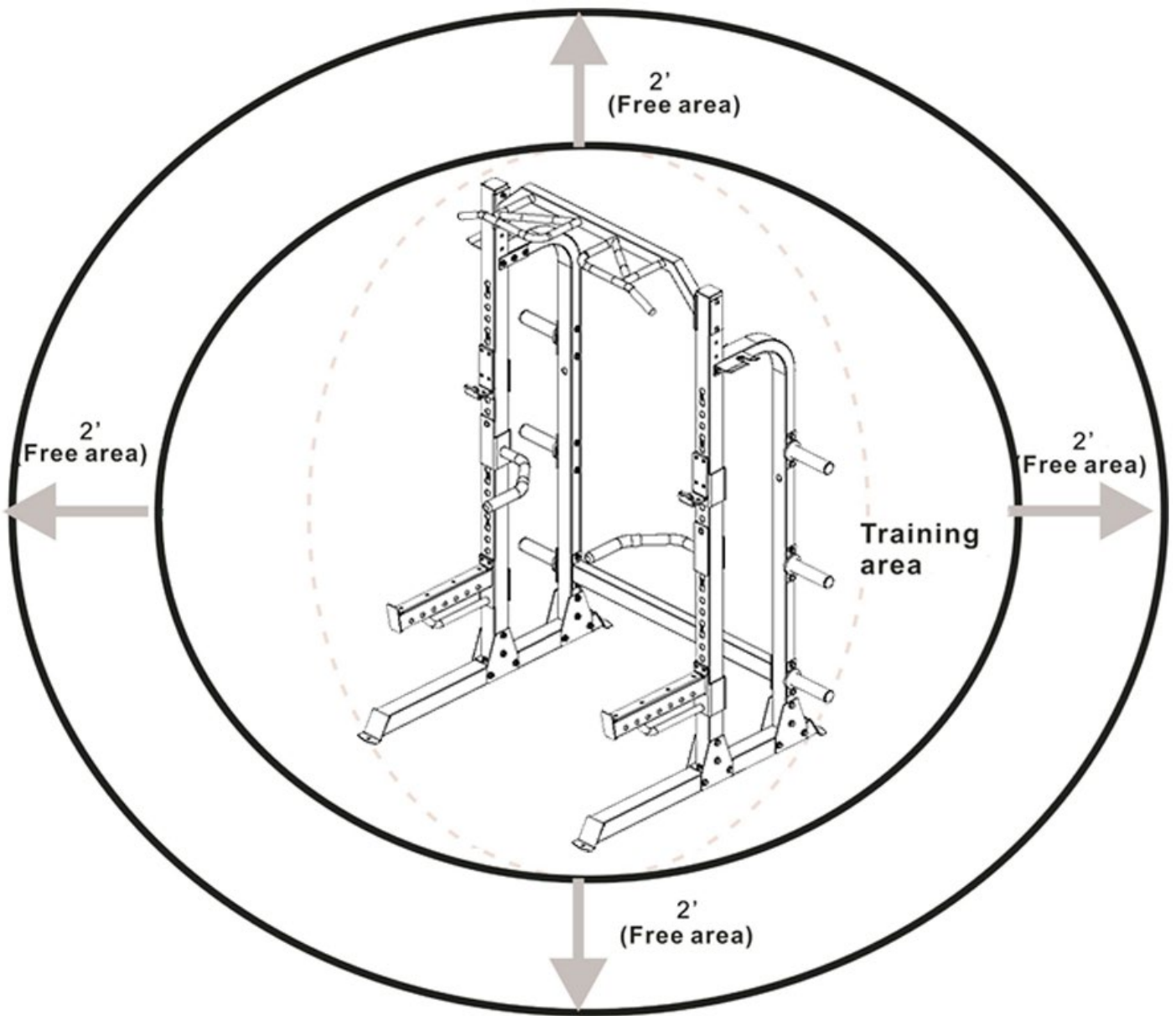
Bien que vous n'en sentiez pas le besoin, il est important de prendre une journée de repos au moins une fois par semaine pour donner à votre corps l'occasion de récupérer et de se guérir. L'exercice continu des muscles provoquera un surentraînement qui ne sera pas bénéfique à long terme.

EMPLACEMENT DES ÉTIQUETTES DE MISE EN GARDE



Les étiquettes de mise en garde illustrées ici ont été posées sur la base arrière et la monture supérieure. Si les étiquettes sont manquantes ou illisibles, veuillez communiquer avec le Service à la clientèle au 1-800-999-8899 pour obtenir d'autres étiquettes, puis les poser aux endroits indiqués ci-dessus.

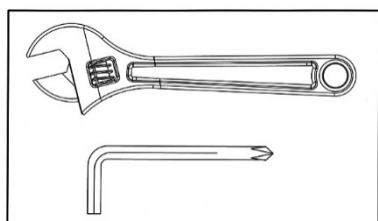
ESPACE LIBRE ET ESPACE D'ENTRAÎNEMENT



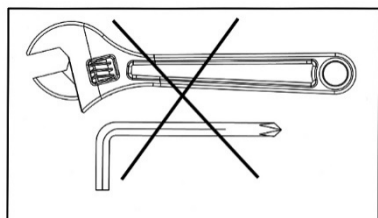
MODE D'ASSEMBLAGE

- ❖ Outils nécessaires pour l'assemblage de l'appareil : deux clés ajustables et clés Allen.
- ❖ Remarque : il est fortement recommandé que l'assemblage soit effectué par deux personnes ou plus afin d'éviter les blessures.
- ❖ Veillez à ce que les **boulons de carrosserie** soient insérés dans les **trous CARRÉS** sur les éléments qui doivent être assemblés. Poser la rondelle uniquement à l'extrémité du boulon de carrosserie.
- ❖ Insérer les **boulons Allen ou boulons hexagonaux** dans les **trous RONDS** sur les éléments qui doivent être assemblés.
- ❖ Attendre toujours que tous les boulons soient posés sur l'appareil d'entraînement avant de bien les serrer. **NE PAS** serrer chaque boulon dès qu'il est posé.

Bien serrer tous les boulons et écrous



Bien serrer tous les boulons et écrous une fois que toutes les pièces ont été assemblées aux étapes précédentes.
Remarque : ne pas serrer à l'excès les pièces qui doivent pivoter. Veiller à ce que celles-ci puissent pivoter librement.



NE PAS serrer tous les boulons et écrous à cette étape.

ENTRETIEN

1. Lubrifier les pièces mobiles régulièrement à l'aide de WD-40 ou d'huile légère.
2. Vérifier et bien serrer toutes les pièces avant d'utiliser l'appareil.
3. Nettoyer l'appareil à l'aide d'un chiffon humide et d'un détergent doux non abrasif.
NE PAS utiliser de solvant.
4. Vérifier l'appareil régulièrement pour déceler les signes d'usure ou de détérioration.
5. Remplacer tout composant défectueux immédiatement et ne pas utiliser l'appareil tant qu'il n'est pas réparé.
6. **Sans une inspection régulière de l'appareil, celui-ci pourrait ne pas être sécuritaire.**

CAPACITÉ ET DIMENSIONS DE L'APPAREIL

1. Poids maximal de l'utilisateur : 300 lbs.
2. Poids maximal sur les supports de barre: 300 lb
3. Dimensions de la cage assemblée: 64.7"x51"x87"

NOTES D'UTILISATION

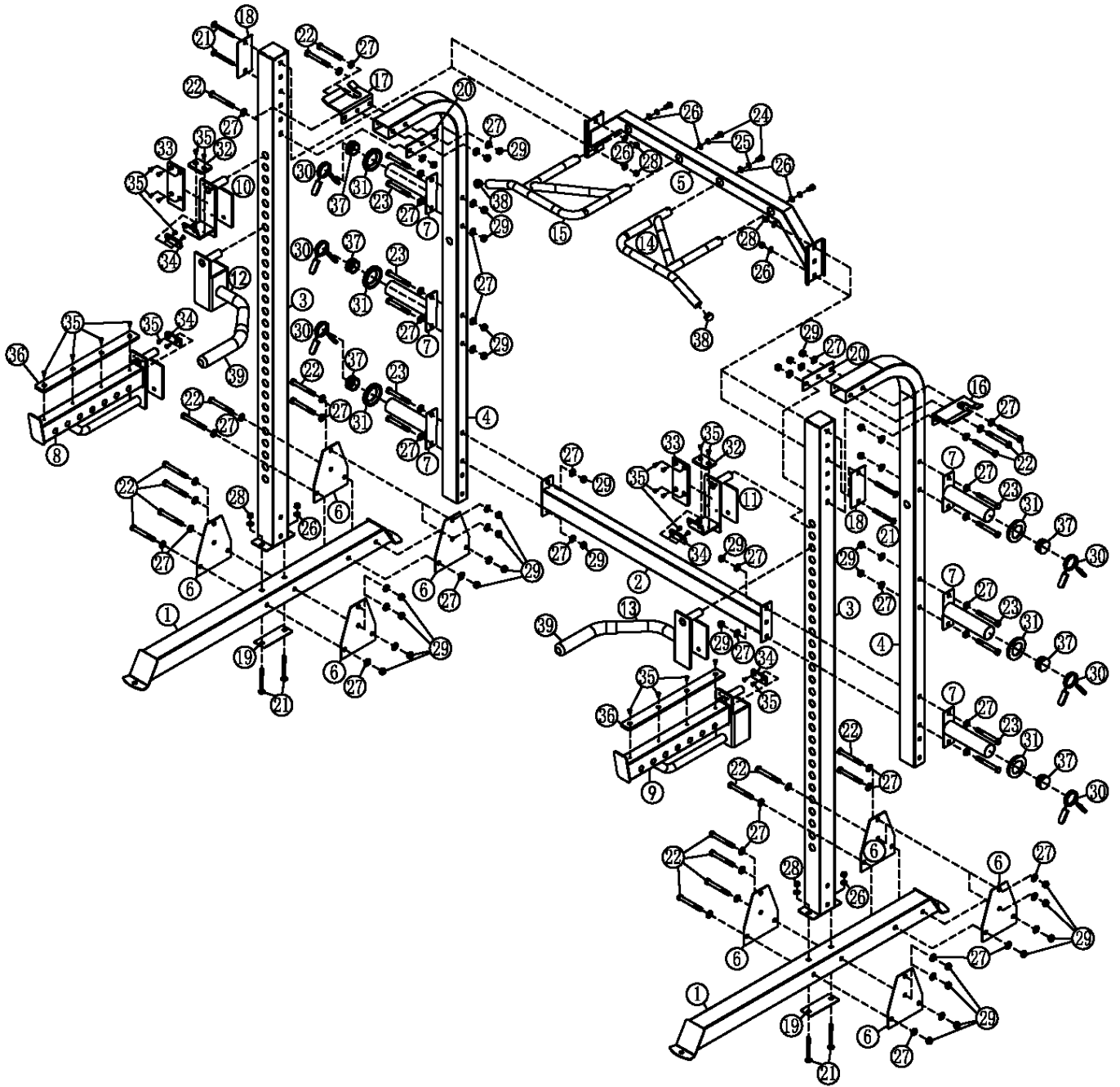
Veillez à ce que les supports de barre et les crans de sûreté soient installés de façon sécuritaire sur les montants avant de déposer la barre sur les supports de barre.

MWM-7072 LISTE DES PIÈCES

N° DE PIÈCE	DESCRIPTION	QUANTITÉ
01	Cadre de base	2
02	Montant transversal arrière	1
03	Montant avant	2
04	Montant arrière	2
05	Cadre supérieur	1
06	Plaque de fixation	8
07	Poteau de stockage olympique	6
08	Cran de sûreté droit	1
09	Cran de sûreté gauche	1
10	Support droit pour la barre	1
11	Support gauche pour la barre	1
12	Poignée gauche pour flexions-extensions	1
13	Poignée droite pour flexions-extensions	1
14	Poignée gauche pour tractions	1
15	Poignée droite pour tractions	1
16	Stockage de la barre gauche	1
17	Stockage de la barre droite	1
18	Plaque de fixation	2
19	Plaque de fixation	2
20	Plaque de fixation	2
21	Boulon de carrosserie M10 x 3 ³ / ₄ "	8
22	Boulon à tête hexagonale M12 x 4"	26
23	Boulon à tête hexagonale M12 x 3 ³ / ₄ "	8
24	Boulon à tête hexagonale M10 x 1"	4
25	Rondelle de blocage	4
26	Rondelle Ø ³ / ₄ "	12
27	Rondelle Ø1"	68
28	Écrou autobloquant M10	8
29	Écrou autobloquant M12	34
30	Pince à ressort	6
31	Amortisseur en caoutchouc	6
32	Amortisseur en caoutchouc	2
33	Amortisseur en caoutchouc	2
34	Amortisseur en caoutchouc	4
35	Boulon à tête creuse M6 x 1 ¹ / ₂ "	28

36	Amortisseur en caoutchouc	2
37	Capuchon	6
38	Capuchon	2
39	Poignée	2

VUE ÉCLATÉE



IMPEX® INC.

GARANTIE LIMITÉE DE DEUX ANS

IMPEX Inc. (« IMPEX® ») garantit la monture de ce produit contre les défauts de matériaux et de main-d'œuvre pendant deux (2) ans à partir de la date d'achat lorsque le produit est utilisé et entretenu dans des conditions normales. Cette garantie n'est valable que pour l'acheteur d'origine. Sous cette garantie, l'obligation d'IMPEX se limite au remplacement ou à la réparation du produit, à sa discrétion.

Tous les retours de marchandise doivent être autorisés au préalable par IMPEX. L'autorisation préalable peut être obtenue en téléphonant au Service à la clientèle d'IMPEX au 1-800-999-8899 (anglais). Tous les frais d'expédition liés à la marchandise retournée chez IMPEX doivent être prépayés par le client. Cette garantie ne s'applique pas à un produit endommagé par ou attribuable au transport, à un usage excessif, à un mauvais usage, à un usage inapproprié ou anormal ou à des réparations effectuées par un réparateur autre qu'un centre de service IMPEX autorisé. Cette garantie ne s'applique pas non plus aux produits utilisés à des fins commerciales ou de location. Aucune garantie autre que celle spécifiée ci-dessus n'est autorisée par IMPEX.

IMPEX ne peut être tenue responsable d'aucun dommage indirect ou particulier découlant de l'utilisation ou du rendement du produit, ou en rapport avec ceux-ci, ou de tout autre dommage associé à une perte financière, perte matérielle, perte de revenus ou de profits, perte de jouissance ou d'utilisation, coûts d'enlèvement, d'installation ou autres dommages indirects de quelque nature que ce soit. Certaines provinces interdisent l'exclusion ou la limite de dommages indirects. En conséquence, les restrictions mentionnées ci-dessus peuvent ne pas s'appliquer à votre cas.

La garantie expresse énoncée ci-dessus remplace toute autre garantie. Toute autre garantie implicite de qualité marchande ou d'adaptation à un usage est limitée dans son champ d'application et sa durée conformément aux conditions stipulées dans les présentes. Certaines provinces interdisent les restrictions sur la durée d'une garantie implicite. En conséquence, les restrictions mentionnées ci-dessus peuvent ne pas s'appliquer à votre cas.

AUSTRALIE : Nos articles sont offerts avec des garanties qui ne peuvent connaître d'exclusions au regard de la loi australienne sur la protection des consommateurs. Vous avez droit au remplacement ou au remboursement en cas de défaillance majeure de votre article ainsi qu'à une compensation en cas de perte ou de dommage prévisible. Vous avez aussi droit à la réparation ou au remplacement de l'article s'il n'est pas d'une qualité acceptable et que la défaillance n'est pas majeure.

Cette garantie vous donne des droits particuliers et vous pourriez bénéficier de droits supplémentaires variant d'une province à une autre. Enregistrez-vous en ligne au www.marcypro.com

IMPEX® INC.
2801 S. Towne Ave.
Pomona, CA 91766

PIÈCES DE RECHANGE

Vous pouvez commander des pièces de rechange en téléphonant sans frais au Service à la clientèle au **1-800-999-8899** pendant les heures d'ouverture normales, soit du lundi au vendredi de 9 h à 17 h, heure normale du Pacifique.

support@impex-fitness.com

Lorsque vous commandez des pièces, veuillez nous fournir les renseignements suivants :

1. Modèle
2. Description de la pièce
3. Numéro de la pièce
4. Date d'achat