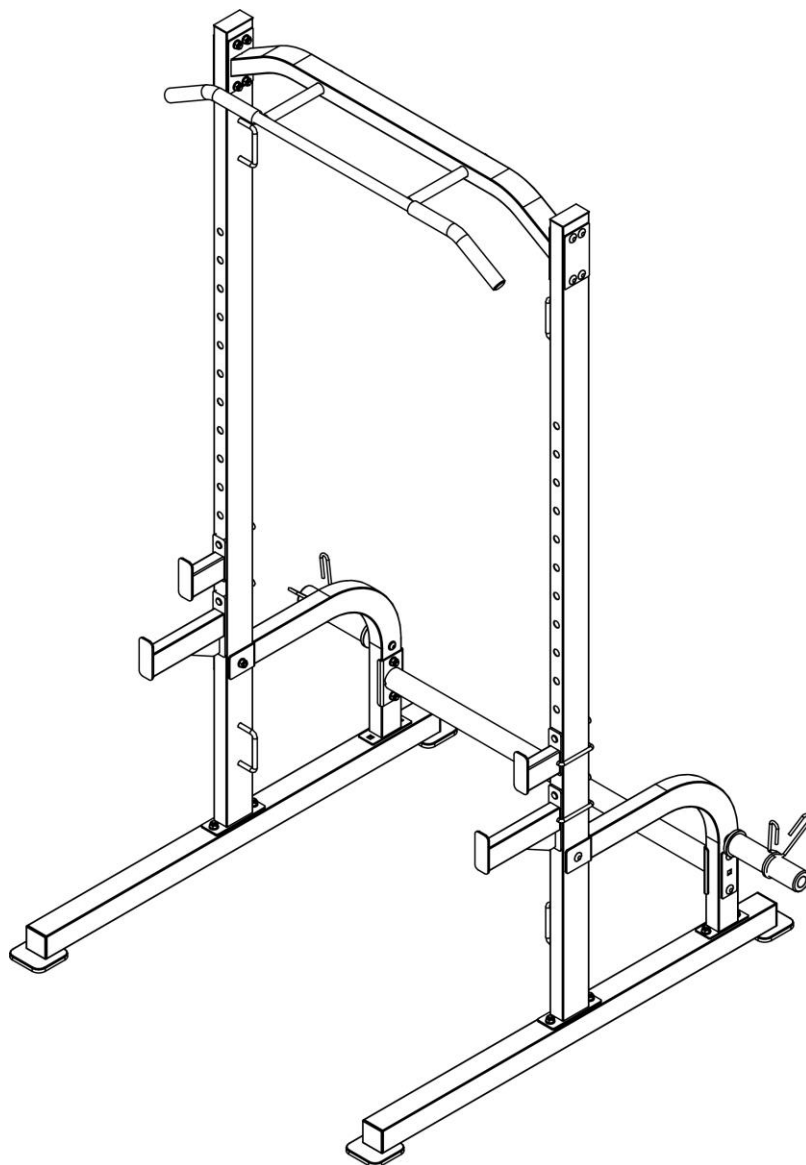


MARCY[®]

POWER CAGE

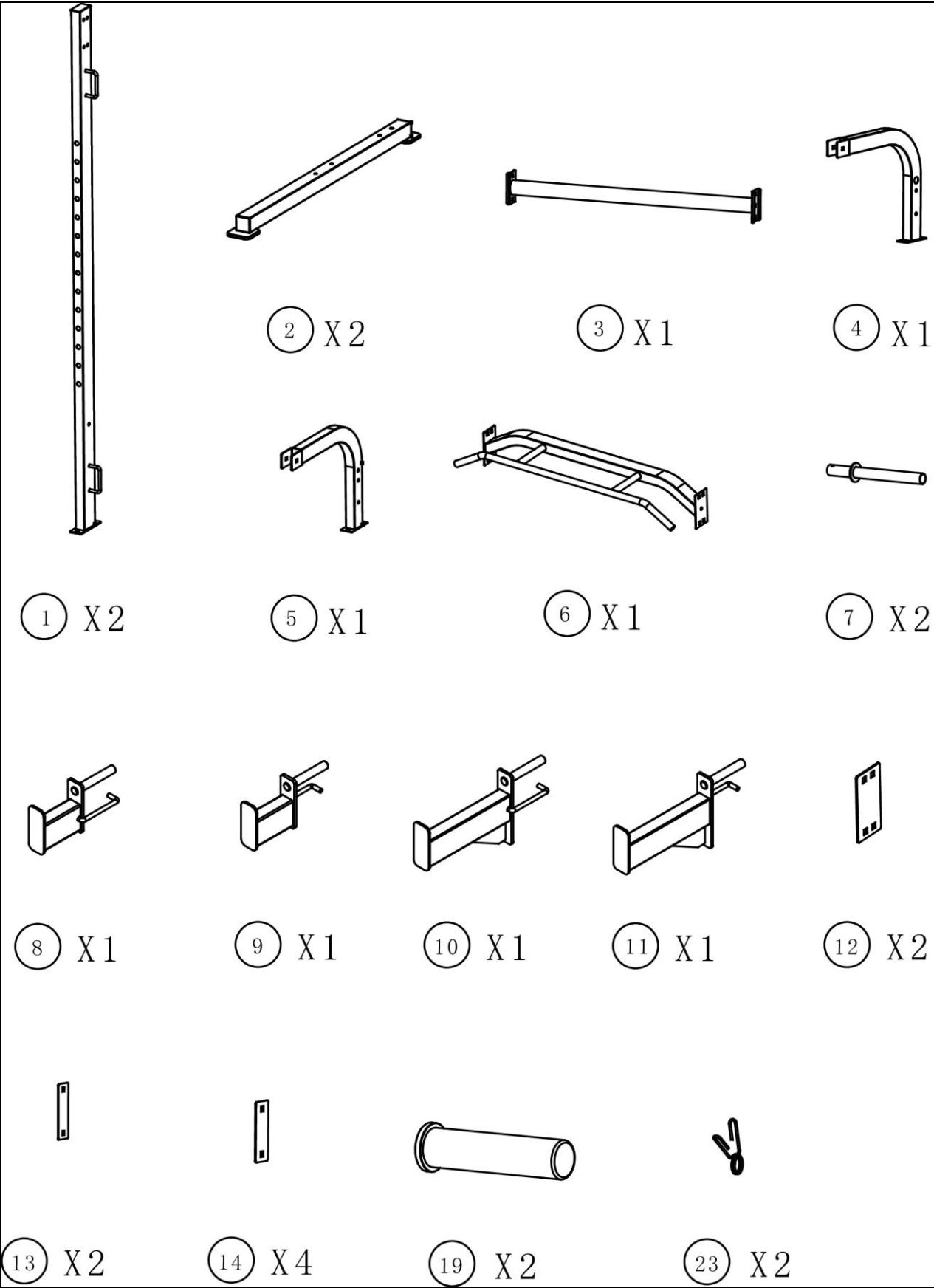
SM-8117



IMPORTANT: Please read the Important Safety Notice and Assembly Information in the Owner's manual before assembling this product.

Assembly Manual

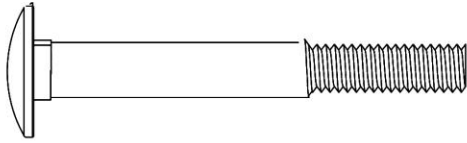
180326



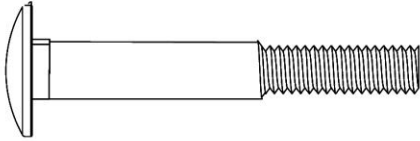


②④ X22

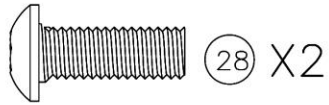
②⑤ X24



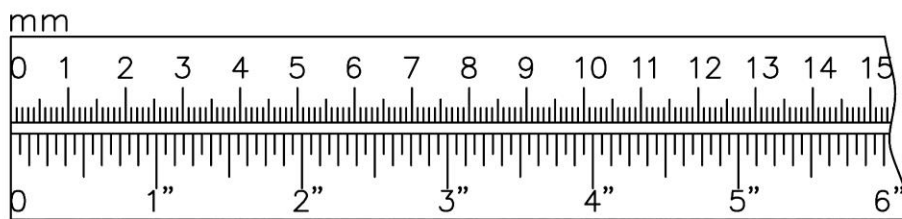
②⑥ X8



②⑦ X14



②⑧ X2



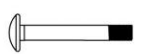
26



M10 x 3 1/8"

4

27



M10 x 2 3/8"

1

25



Ø 3/4"

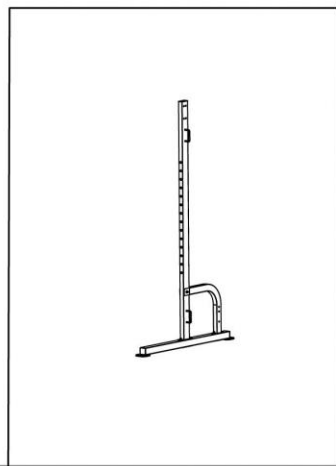
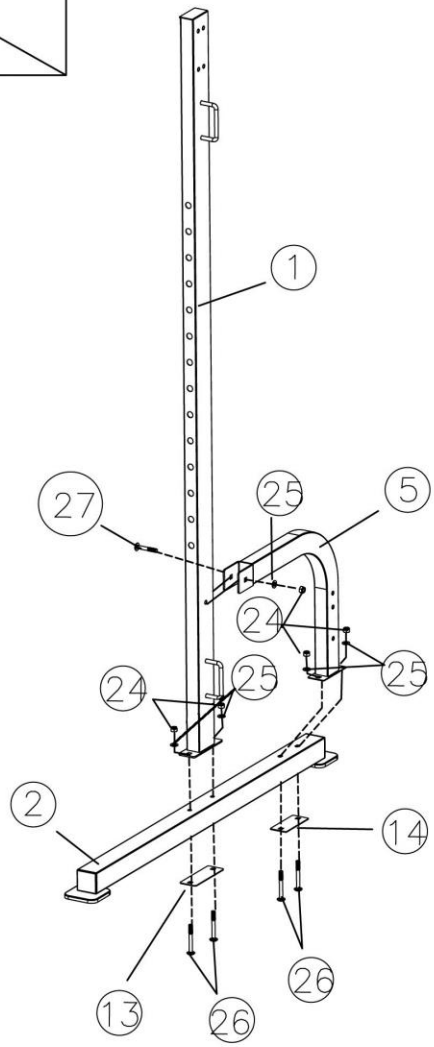
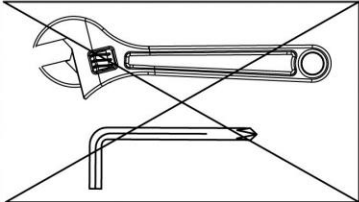
5

24


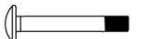
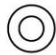



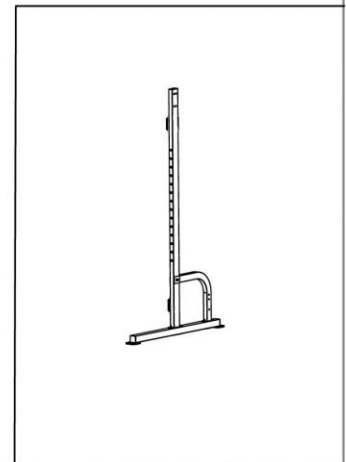
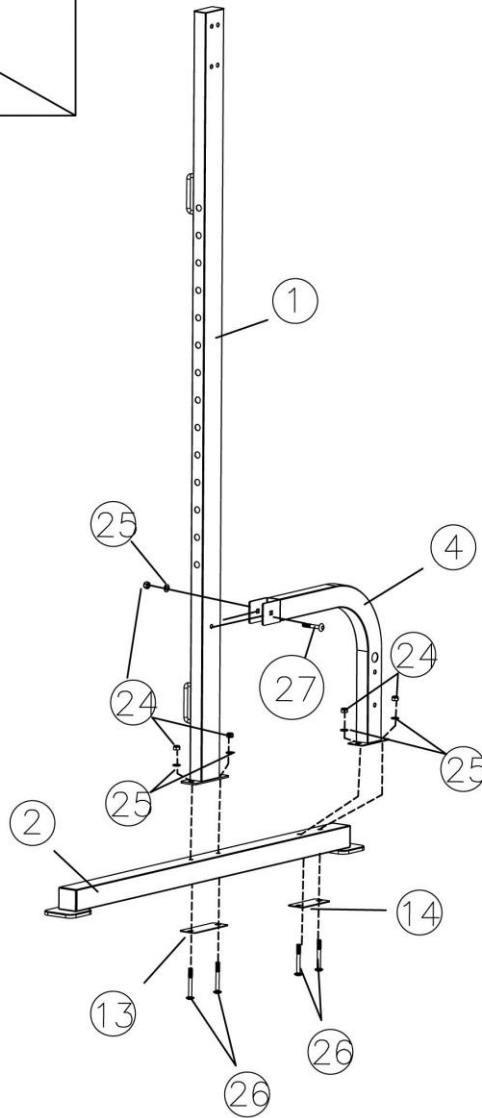
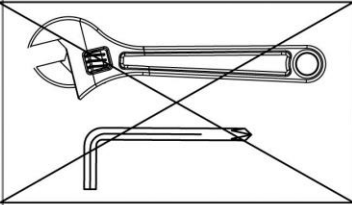
M10

5



1

②⑥		M10 x 3 1/8"	4
②⑦		M10 x 2 3/8"	1
②⑤		∅ 3/4"	5
②④		M10	5



2

27



M10 x 2 3/8"

4

25



∅ 3/4"

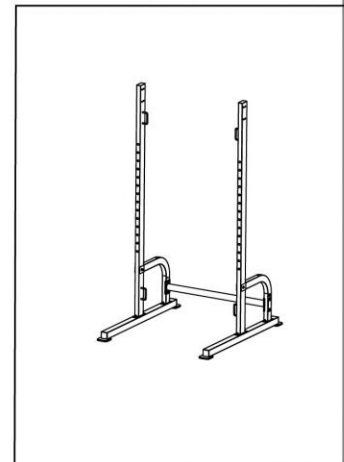
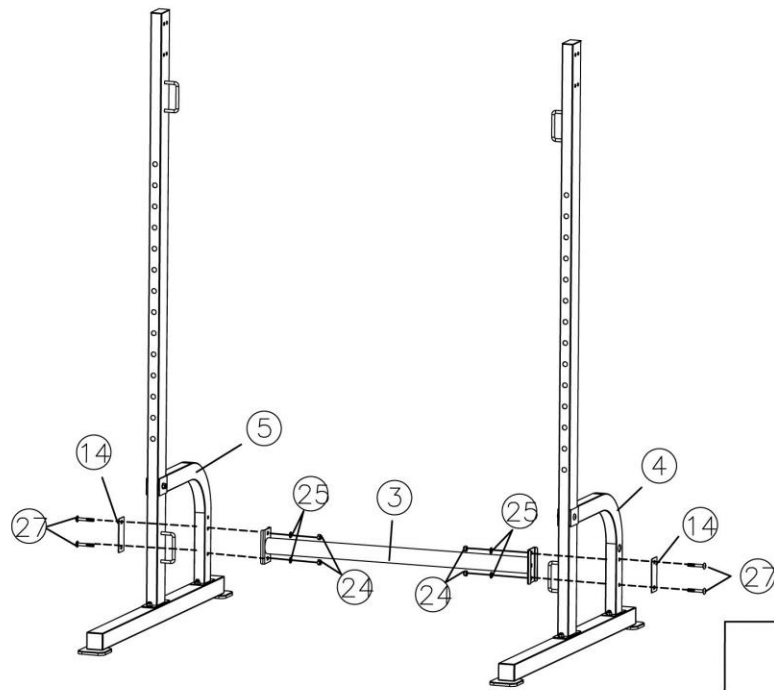
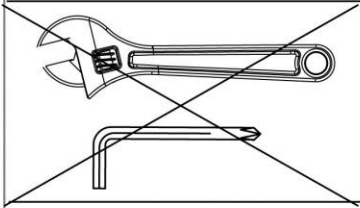
4

24

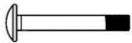




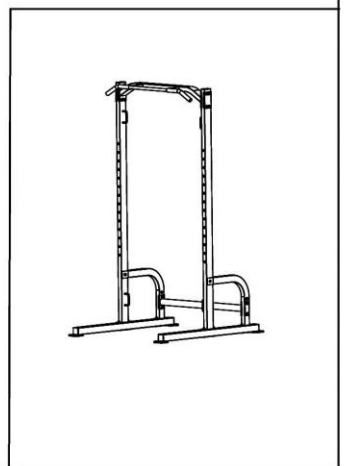
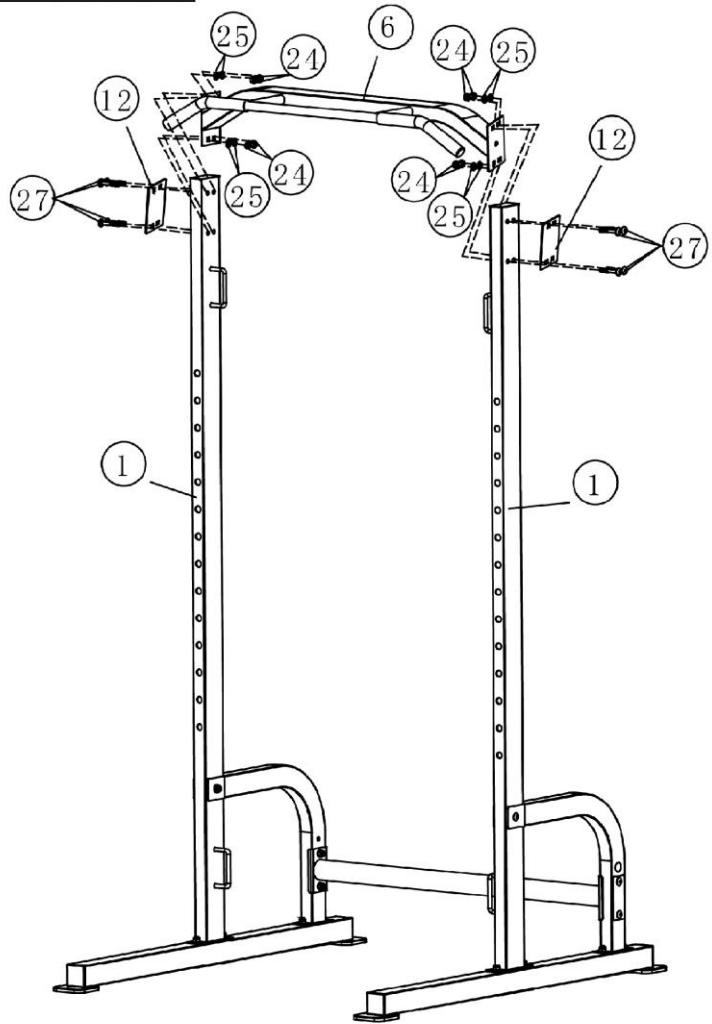
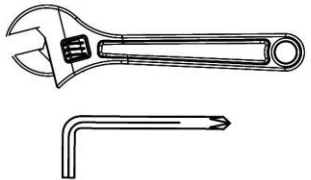
M10

4

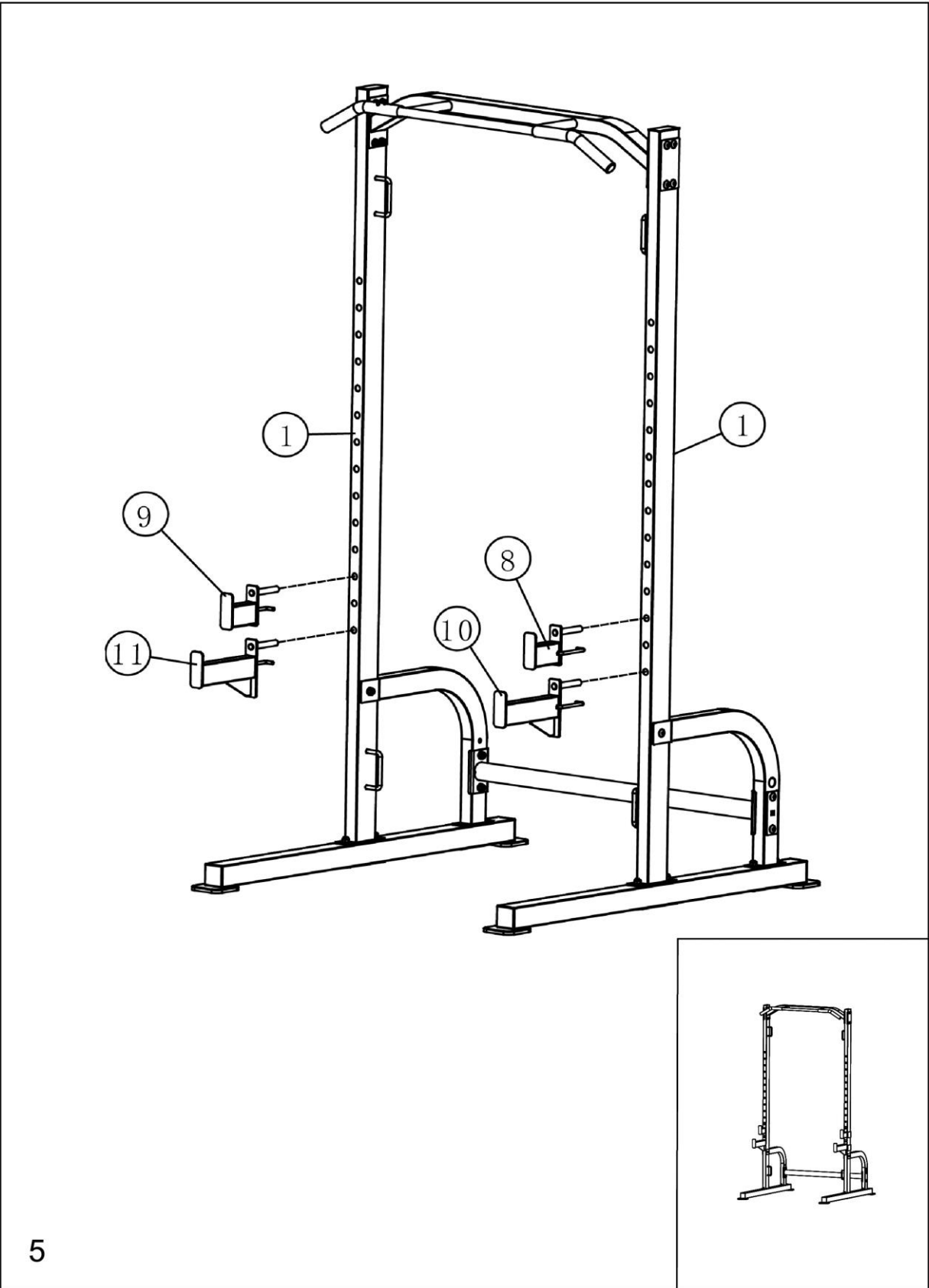


3

27		M10 x 2 3/8"	8
25		∅ 3/4"	8
24		M10	8



4



5

28



M10 X 1"

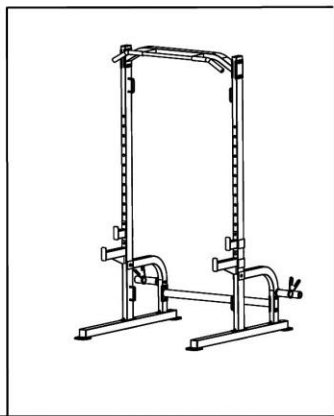
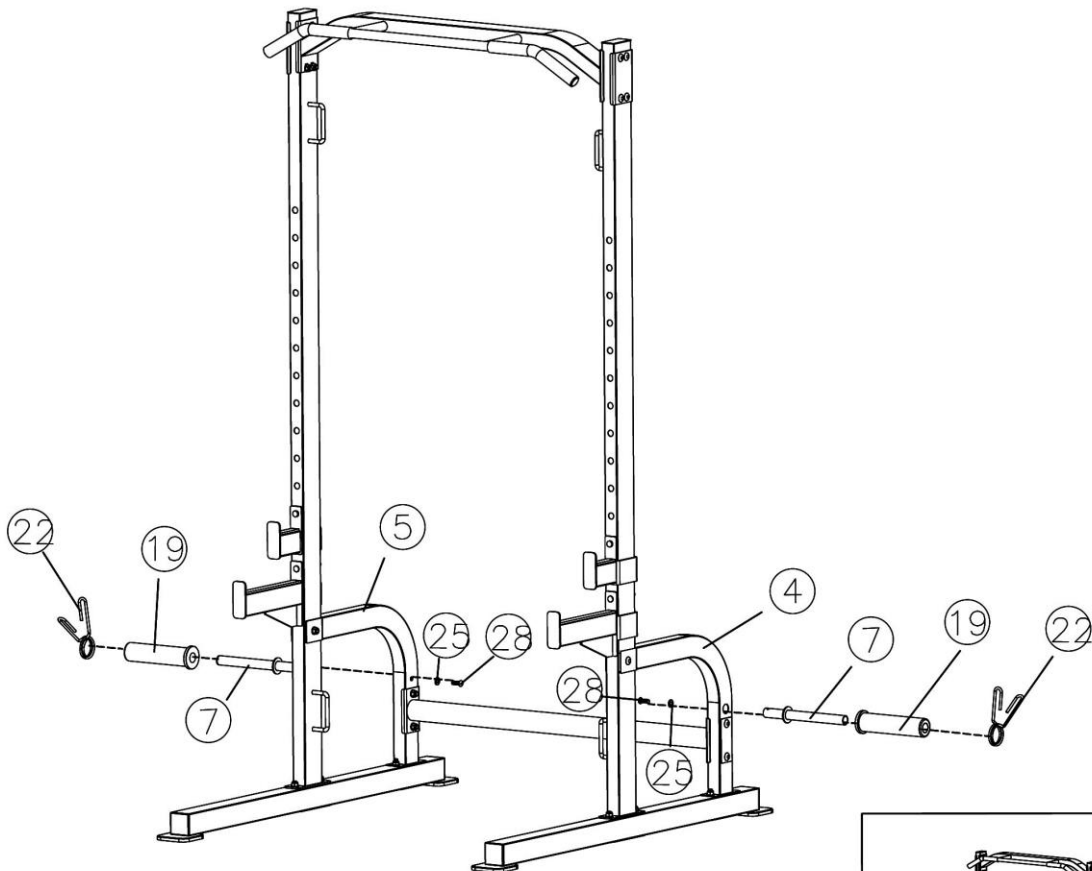
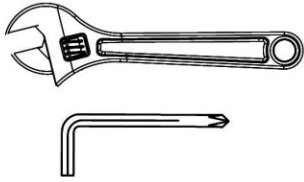
2

25

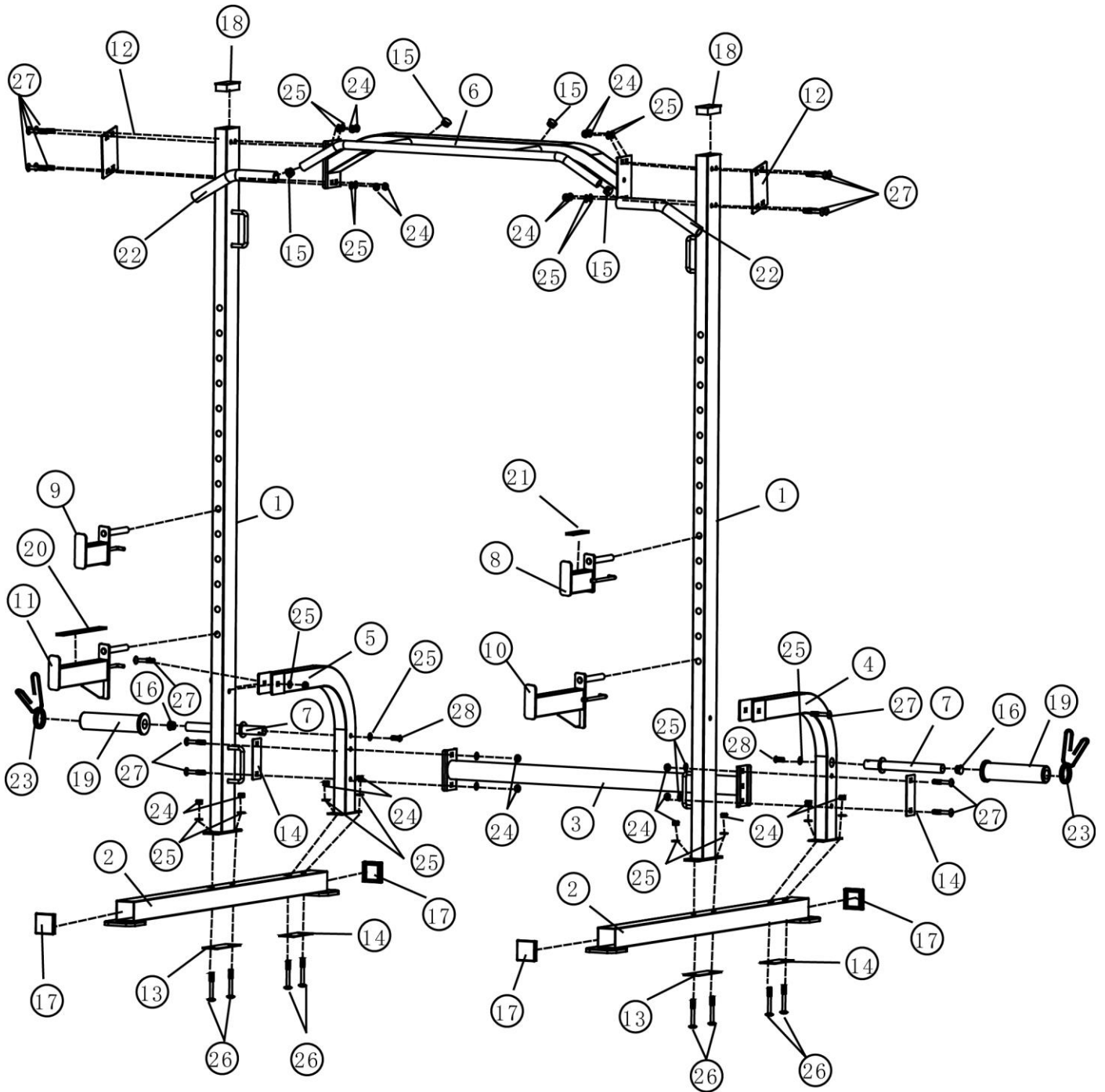


∅ 3/4"

2



6



IMPEX® INC.

2801 S. Towne Ave. Pomona, CA 91766

Tel: (800) 999-8899

www.marcypro.com

support@impex-fitness.com