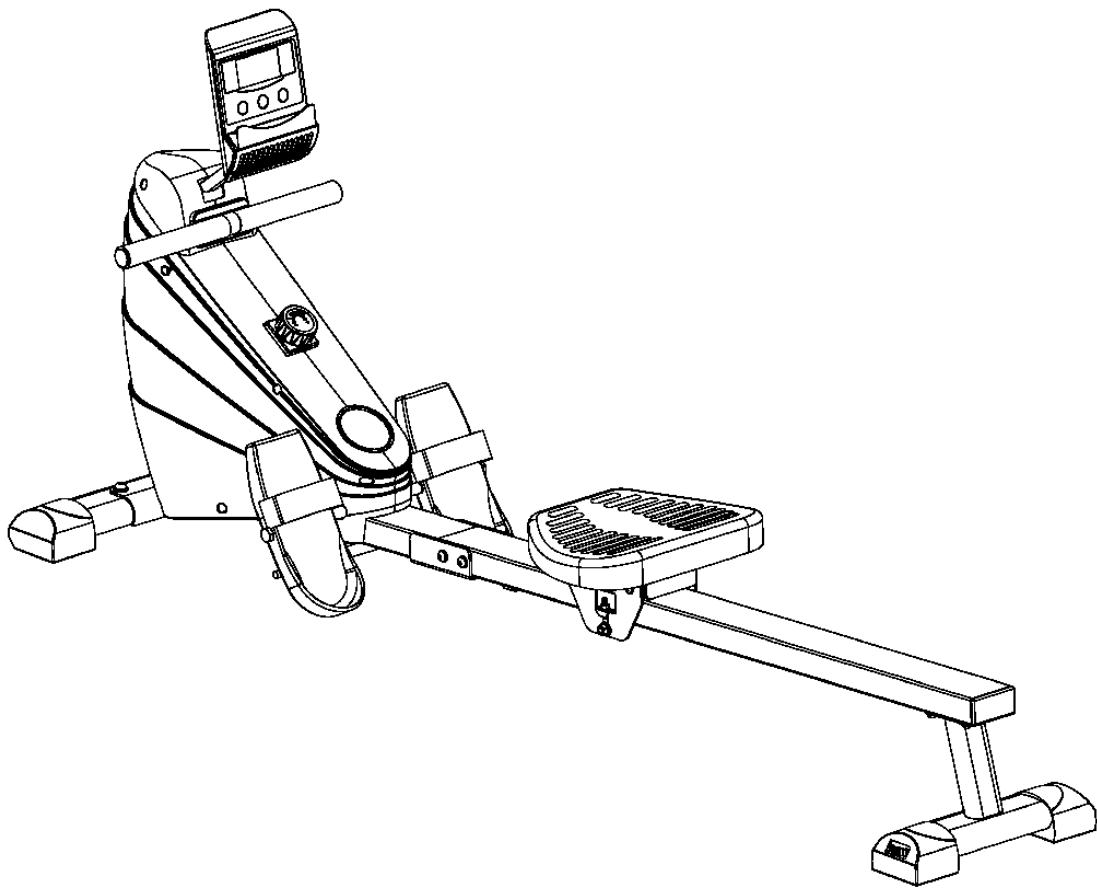


# MARCY®

## ROWING MACHINE XJ-6860RW

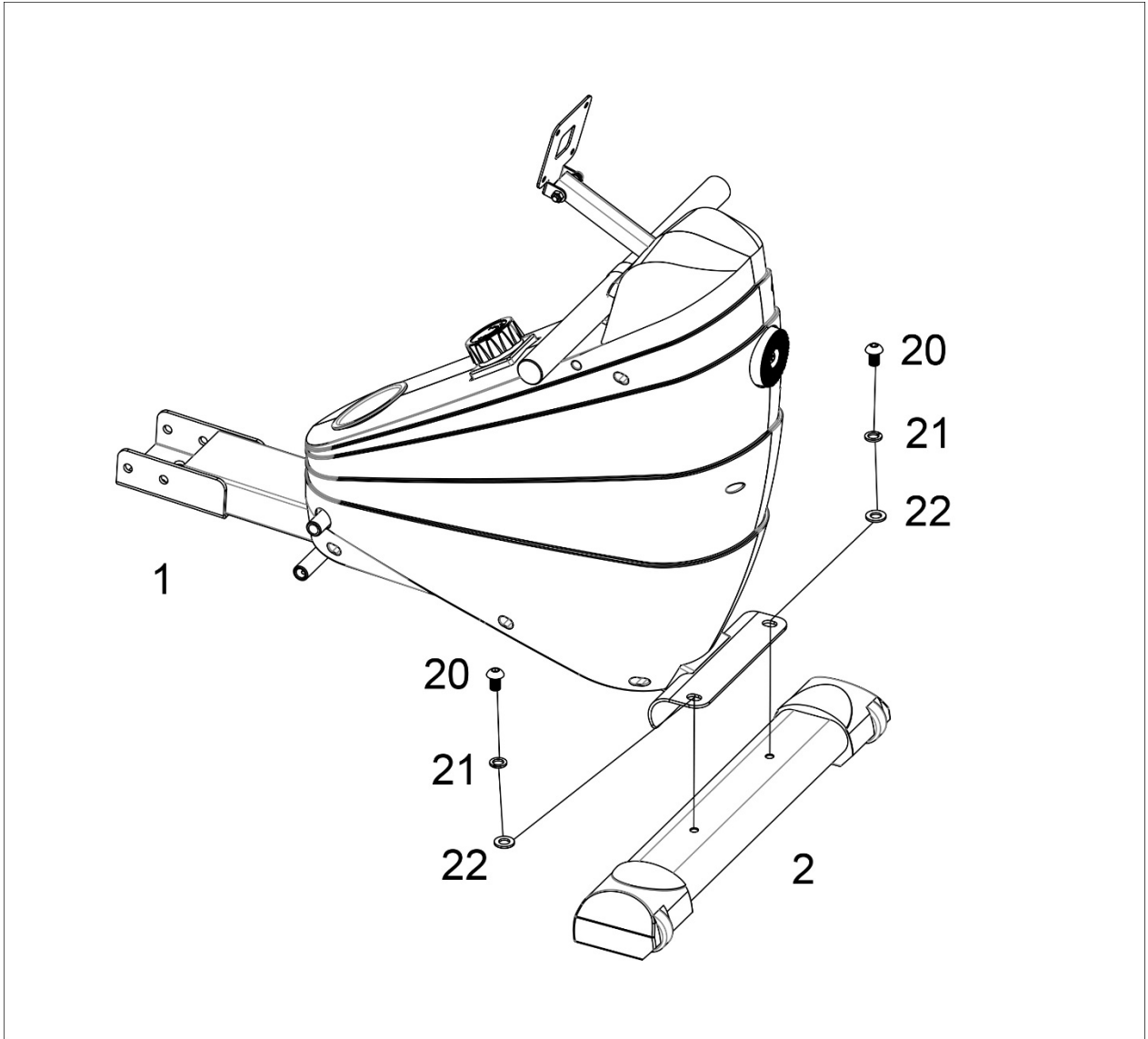


**IMPORTANT:** Please read the Important Safety Notice and Assembly Information in the Owner's manual before assembling this product.

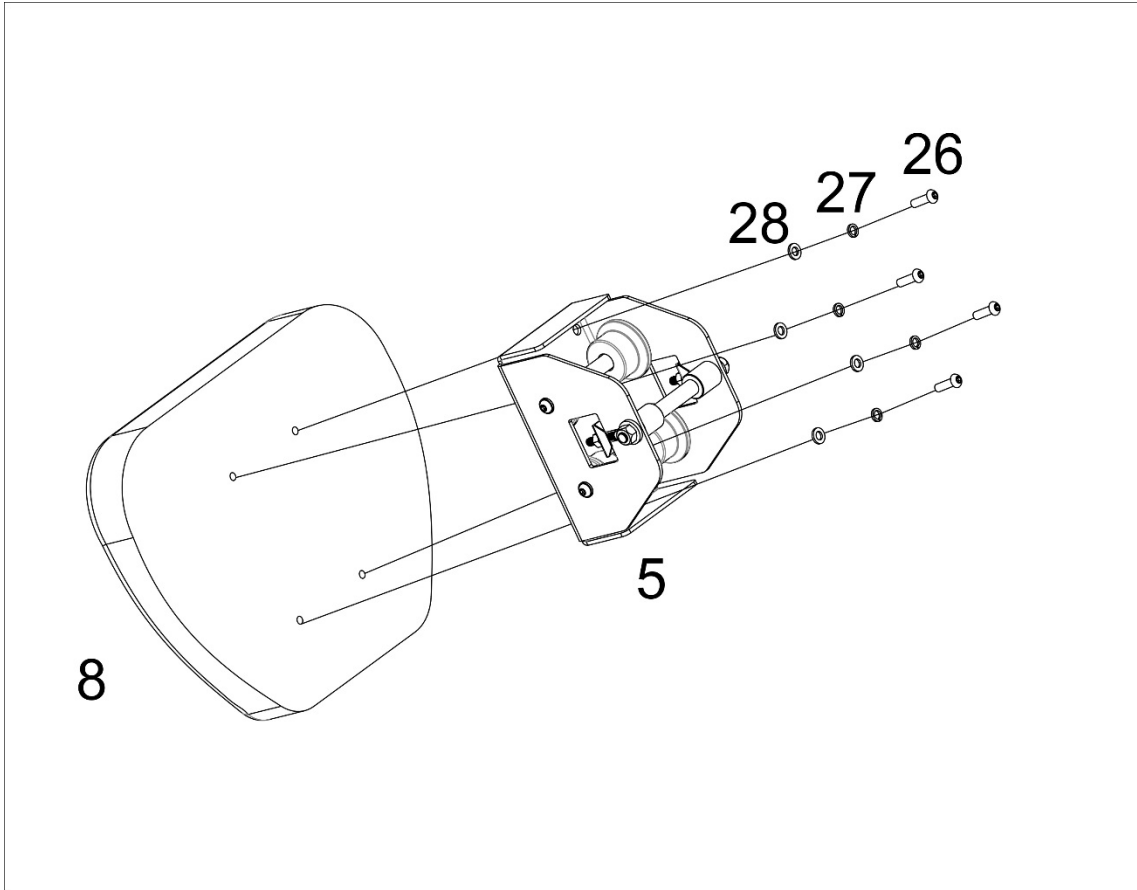
**Assembly Manual**

220421

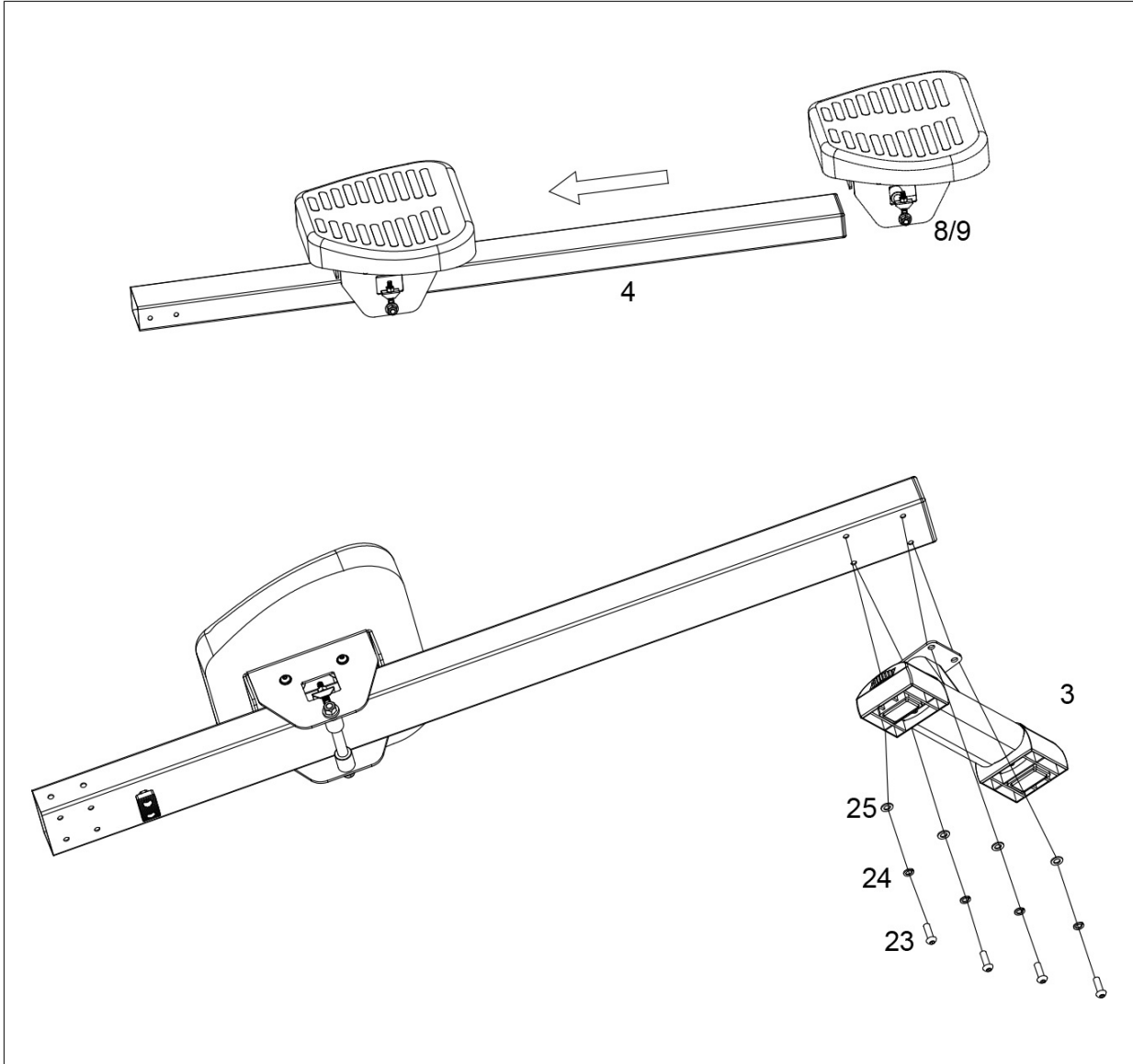
# ASSEMBLY STEP 1



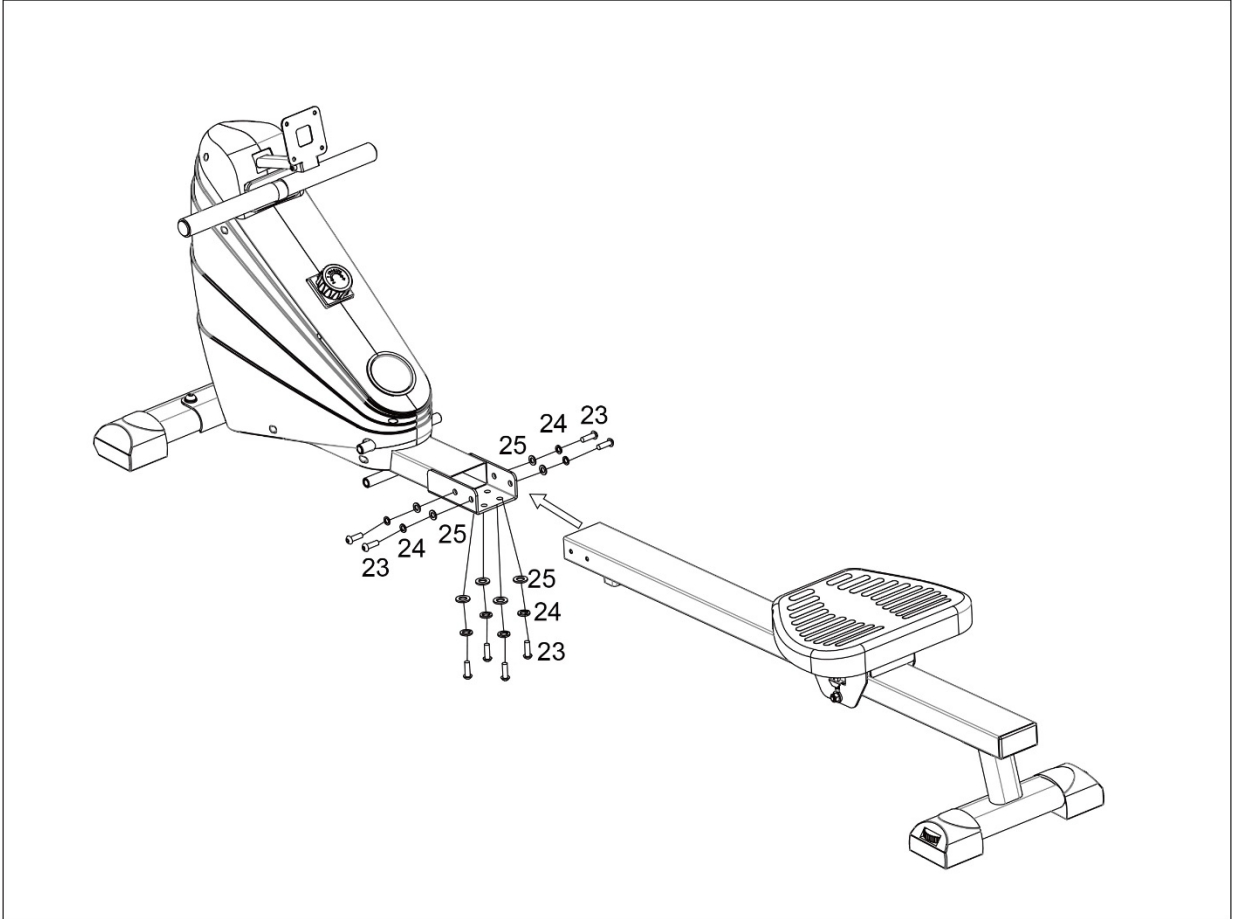
## ASSEMBLY STEP 2



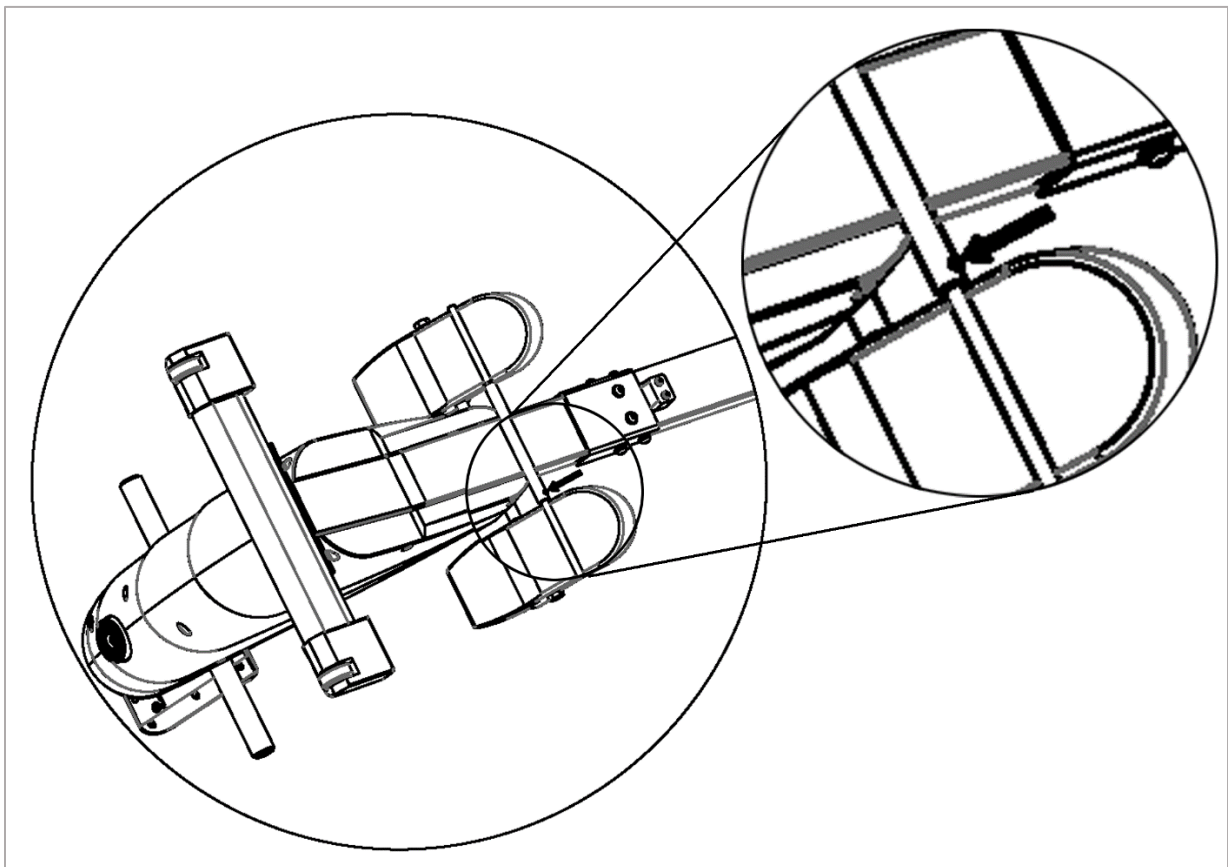
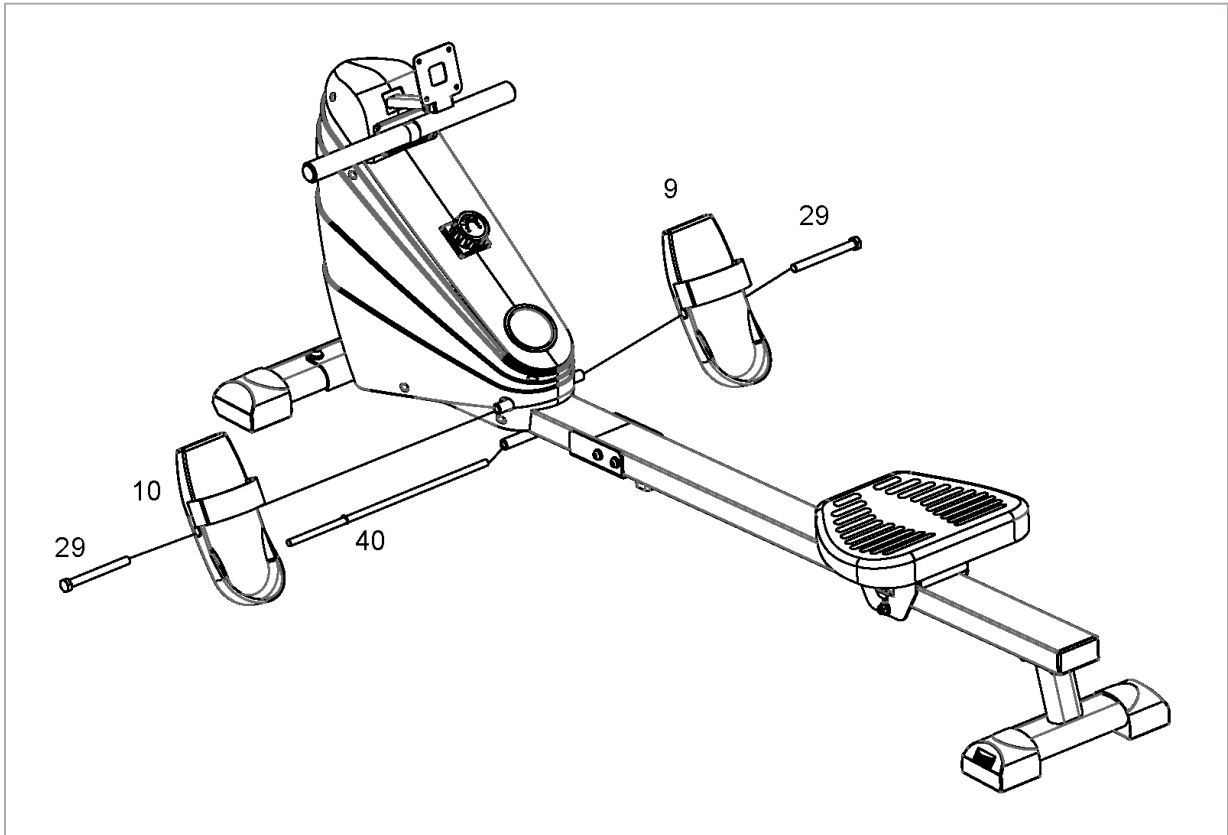
# ASSEMBLY STEP 3



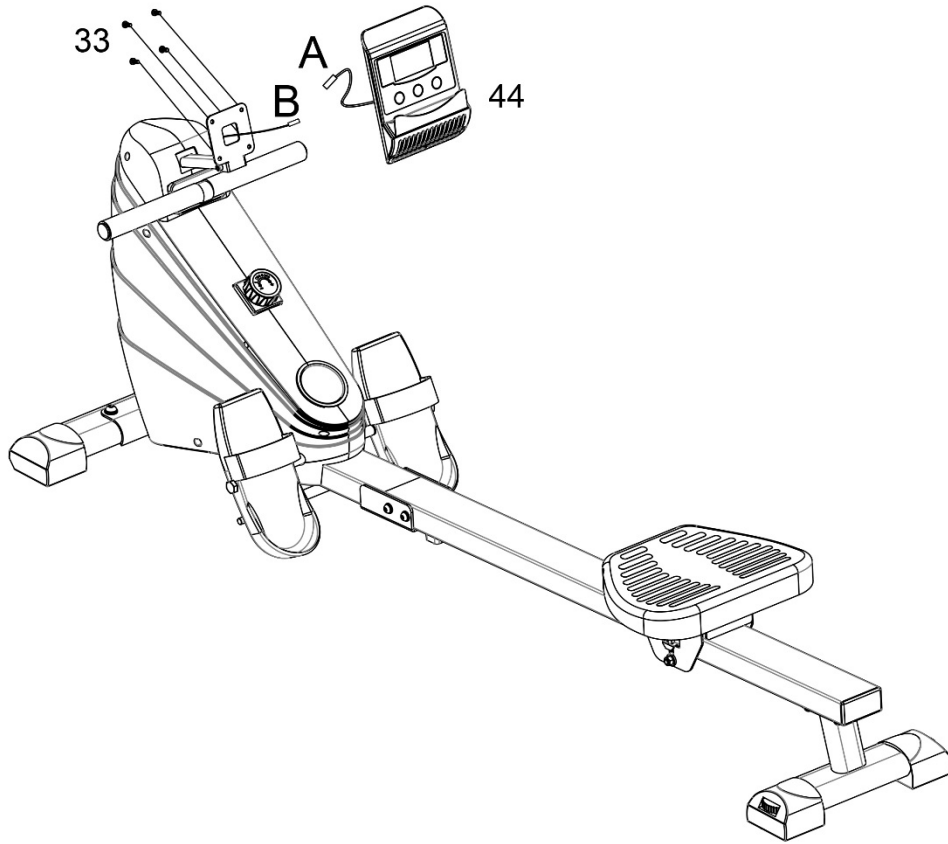
# ASSEMBLY STEP 4

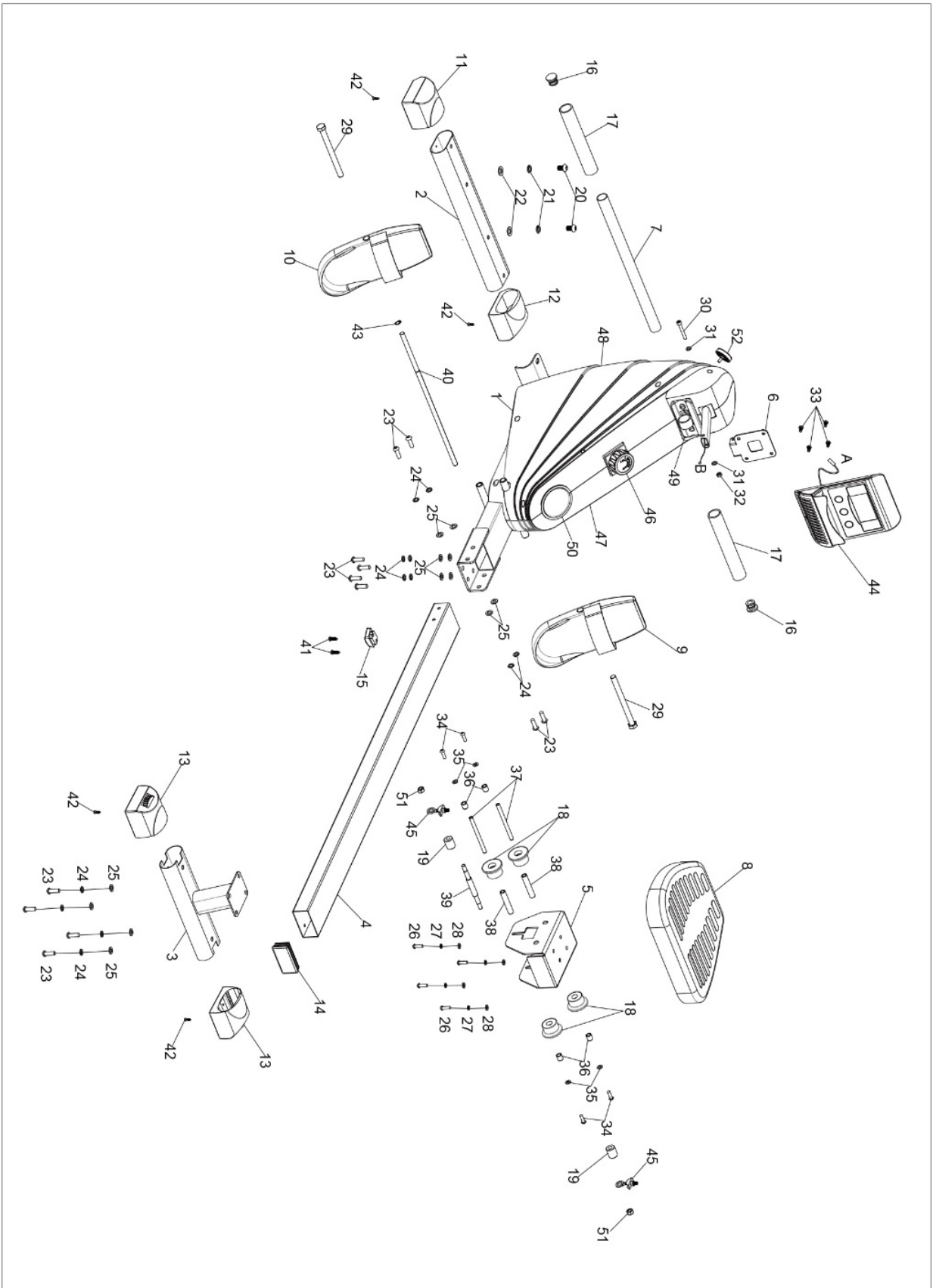


# ASSEMBLY STEP 5



## ASSEMBLY STEP 6







**IMPEX® INC.**

2801 South Towne Avenue, Pomona, California 91766

Tel: (800) 999-8899 Fax: (626) 961-9966

**[www.marcypro.com](http://www.marcypro.com)**

**[support@impex-fitness.com](mailto:support@impex-fitness.com)**